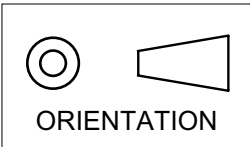


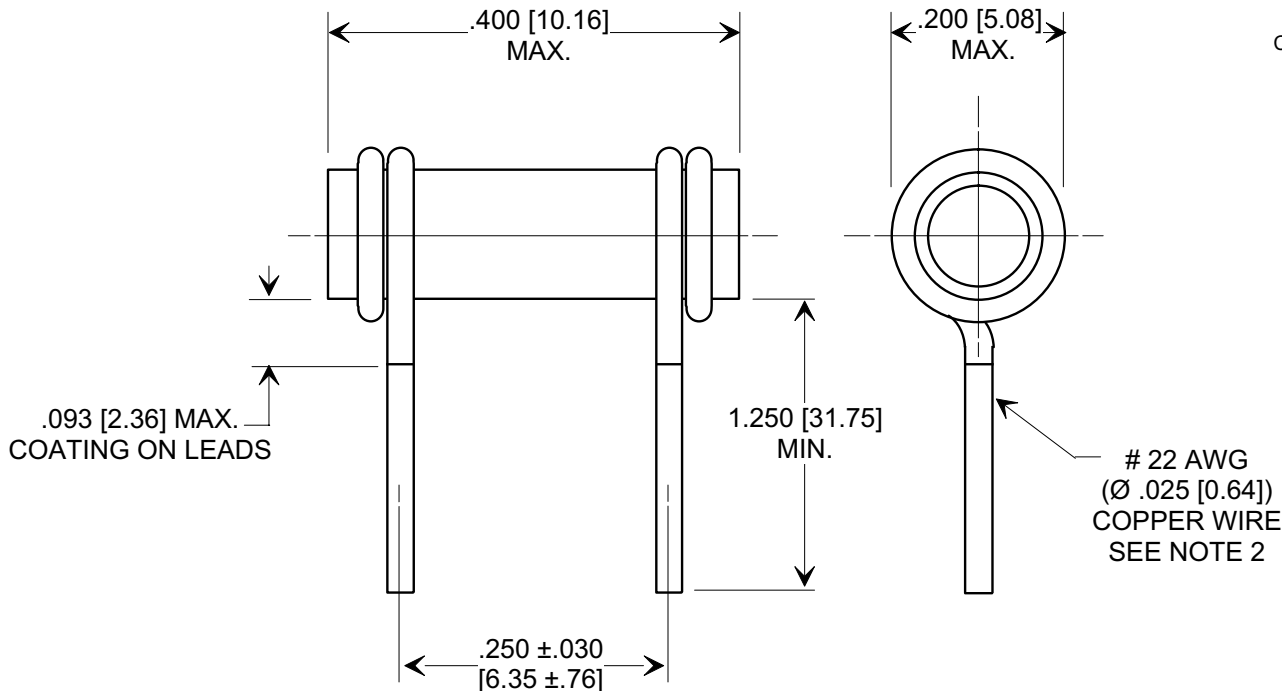
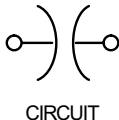
MARKETING SALES DRAWING

DIMENSIONS IN INCHES - DO NOT SCALE THIS DRAWING
DIMENSIONS IN INCHES - []

This drawing is the property of Tusonix, Inc., and may not be used, reproduced, published or disclosed to others without expressed authorization by Tusonix Inc.



Electrical Testing
per Tusonix standard
test plans and Mil-Std-202
Test Methods.



SPECIFICATIONS

| | |
|------------------|---------------------|
| TUSONIX STYLE: | 301-094 |
| VALUE: | 6.8 pF |
| VALUE TOL.: | ± .25 pF |
| TEMP. COEF.: | COH |
| OPERATING RANGE: | -55°C TO 85°C |
| IR MIN @ 100VDC | 50 GΩ |
| VOLTAGE | WORKING: 500 VDC |
| | TEST: 1500 VDC |
| | LIFE: 1000 VDC |
| Marking: | STANDARD COLOR CODE |

NOTES:

- TUSONIX STANDARD PART NUMBER: 301-094-C0H0-689C.
 TUSONIX RoHS COMPLIANT PART NUMBER: 301-094-C0H0-689C LF.
 CUSTOMER MUST SPECIFY STANDARD OR RoHS PART NUMBER WHEN ORDERING.
- LEAD MATERIAL: STANDARD PART #: 22 AWG. 60/40 SOLDER PLATED COPPER WIRE.
 RoHS PART #: 22 AWG. 100% TIN PLATED COPPER WIRE.
- PART MARKING: STANDARD PART: STANDARD CC.
 RoHS PART: STANDARD CC PLUS ADDITIONAL GREEN DOT ON SIDE.
- CLEAR LACQUER COATING.

| | | |
|------------------------|----------------------|---|
| REVISION RECORD | Original Release | 0 |
| | C.O. 20050629-2-01 | |
| | ADDED NOTES: REVISED | 1 |
| | TITLE: S.M. 05-10-06 | |
| | 20060509-2-03 | |

| | | | |
|--|--|---|--------------------------|
| --TOLERANCES-- Unless Otherwise Specified | | Title CLEAR LACQUER COATED TUBULAR CAPACITOR | |
| DECIMAL ± | | Drawn L.E. 06-29-05 | Scale 5X |
| ANGLES ± | | Approved T.C. 06-29-05 | |
| TUSONIX TUCSON, ARIZONA | | A | 301-094-C0H0-689C |