

MICRO SWITCH

A DIVISION OF MINNEAPOLIS-HONEYWELL REGULATOR COMPANY
FREEPORT, ILLINOIS

FED. MFR. CODE 91929

ACTUATOR - SWITCH

CATALOG LISTING

JT-5

5

(M) JT-5
ISSUE 1

REPLACES

RELEASE NO.

11 MAY 56

CHECK

10 MAY 56

7 MAY 57

26 JUNE 58

17 MAY 56

CHECK

7 MAY 56

DRAWN

74-26

M JT-5

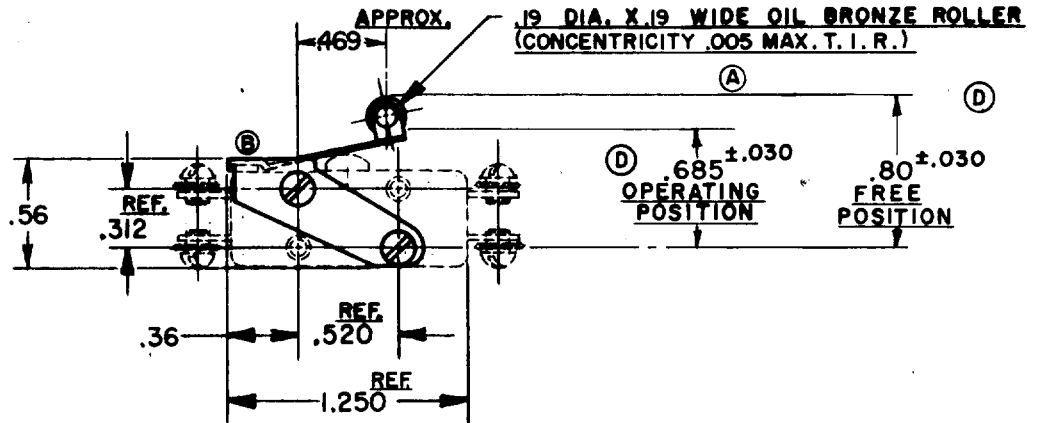
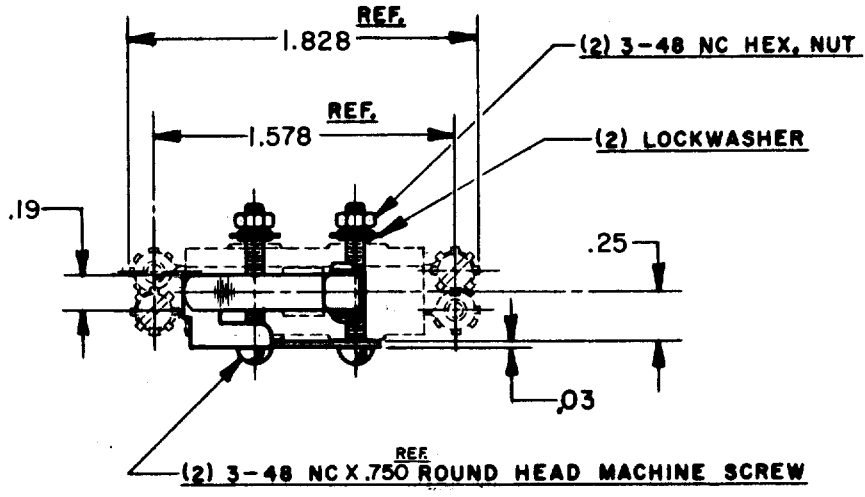
DRAWING NUMBER

ISSUE

C.N.T. 11 MAY 56

REVISIONS

A	CO10437	R.E.R.	7 MAY 56
B	CO10400	K.F.M.	29 AUG 56
C	CO11500	G.M.W.	7 MAY 57
D	CORR.	M.B.F.	26 JUNE 58
E	CO74163	D.H.D.	22 APR 93



NOTE-
1-SCREWS, NUTS, AND LOCKWASHERS FURNISHED UNASSEMBLED.

THIS DRAWING COVERS A PROPRIETARY ITEM AND IS THE PROPERTY OF MICRO SWITCH, A DIVISION OF HONEYWELL. THIS DRAWING IS NOT TO BE COPIED OR USED WITHOUT THE APPROVAL OF MICRO SWITCH.

CHARACTERISTICS WITH TBI-1 BASIC SWITCH INSTALLED

OPERATING FORCE	-----16 OZ. MAX.
RELEASE FORCE	-----2 OZ. MIN.
DIFFERENTIAL TRAVEL	-----.062 MAX.
OVERTRAVEL	-----.025 MIN.

ELECTRICAL DATA

CONTACT ARRANGEMENT	BREAK DISTANCE
---------------------	----------------

SCALE FULL

DO NOT SCALE PRINT
UNLESS OTHERWISE SPECIFIED
DIMENSIONS ARE IN INCHES
TOLERANCES ARE:
ONE PLACE (.0) ±.030
TWO PLACE (.00) ±.015
THREE PLACE (.000) ±.005
ANGLES ±

WEIGHT

Ⓚ