

FEATURES

- Low profile, slim design, 12.3 mm in height
- 8A contact capacity
- 1 Form A and 1 Form C contact form for choice
- 5 KV dielectric strength between coil and contacts
- 8 mm creepage distance between coil and contacts
- Sealed and dust cover version available
- UL, CUR and VDE approvals pending

TYPICAL APPLICATIONS

- Home appliances
- Office machine
- Vending machine
- Air conditioner, refrigerator

CONTACT RATING

Form	1 Form A (H), 1 Form C (Z)
Rated Load	8A, 250VAC 5A, 30VDC
Max. Switching Current	10A
Max. Switching Voltage	440VAC/125VDC
Max. Switching Capacity	2000VA/150W

CONTACT DATA

Material	AgCdO	
Initial Contact Resistance	100 mΩ max at 1A, 6VDC	
Service Life	Mechanical	10 ⁷ ops.
	Electrical	10 ⁵ ops.

UL/CUR/VDE RATING (PENDING)

Form	1 Form A (H), 1 Form C (Z)
Resistive	8A, 250VAC 8A, 24VDC 5A, 30VDC

COIL DATA

Coil Voltage Code	Nominal Voltage (VDC)	Resistance (Ω) ±10%		Must Operate Voltage max. (VDC)	Must Release Voltage min. (VDC)
		Power Consumption			
005	5	113	0.22 - 0.25W	3.75	0.5
006	6	164		4.50	0.6
012	12	617		9.00	1.2
024	24	2350		18.00	2.4
048	48	9600*		36.00	4.8
060	60	12500*		45.00	6.0

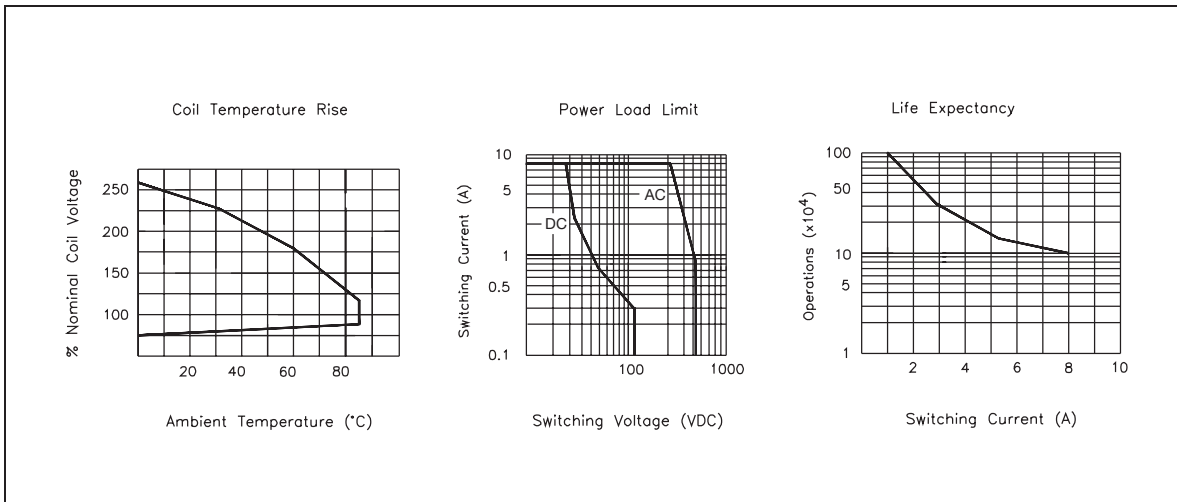
CHARACTERISTICS

Operate Time	7 ms.
Release Time	3 ms.
Insulation Resistance	100 MΩ, at 500 VDC, 50%RH
Dielectric Strength	5000 Vrms, 1 min. between coil and contacts 1000 Vrms, 1 min. between open contacts
Surge Resistance	10000 V
Shock Resistance	10 g, 11ms. functional, 100 g, destructive
Vibration Resistance	20 g / 5 g, 10 - 500 Hz
Ambient Temperature	-40 C to 85 C operating
Weight	8.2 g, approx.

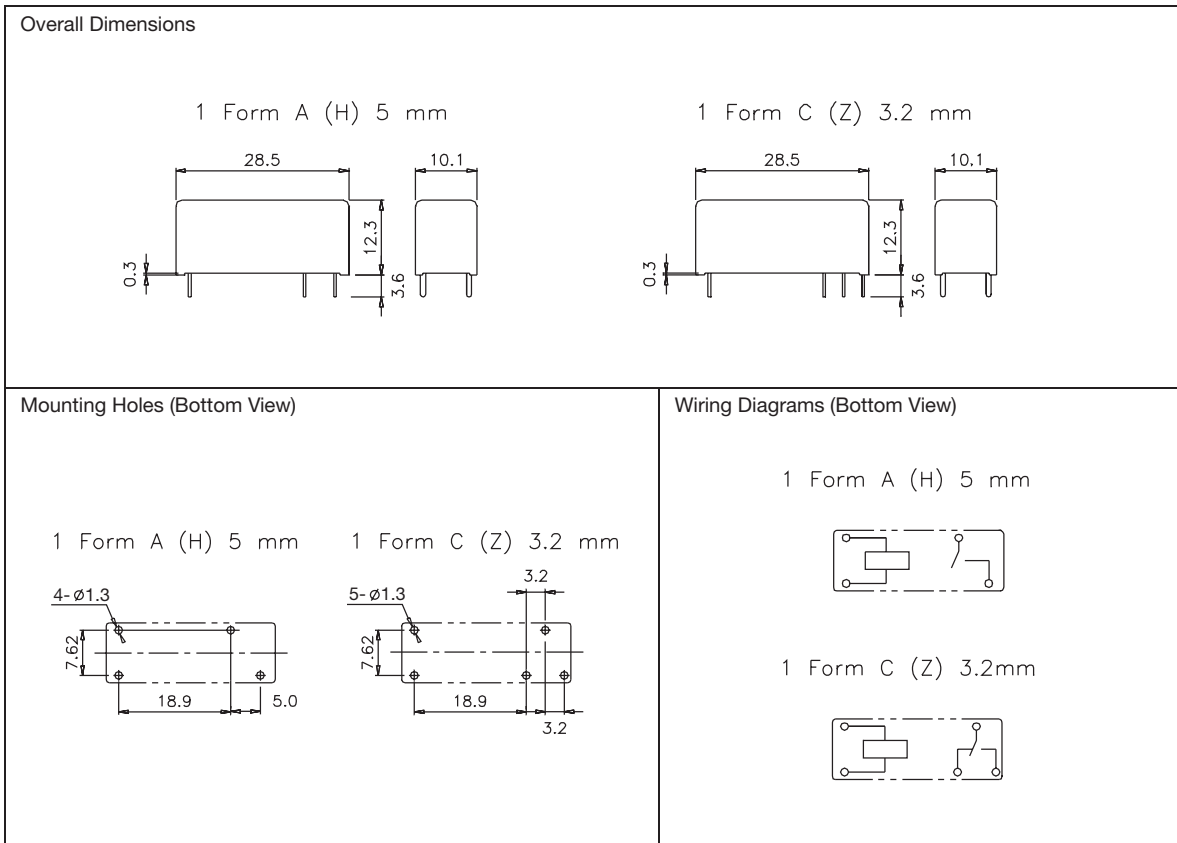
ORDERING DESIGNATION

Example:	HG4518 /	012 -	Z	1	C
Model					
Coil Voltage Code					
Contact Form					
H: 1 Form A, 5 mm					
Z: 1 Form C, 3.2 mm					
Version					
1: Sealed, 2: Dust Cover					
Contact Material					
C: AgCdO; GC: Gold plated AgCdO					
S: AgSnO; GS: Gold plated AgSnO					

REFERENCE CURVES



OVERALL DIMENSIONS, MOUNTING HOLES AND WIRING DIAGRAMS (mm)



NOTES

1. All parameters, unless otherwise specified, are measured at ambient temperature 23°C.
2. Coil resistance with * mark is ±15%
3. Custom-made services available with operational quantity. Please let us know your special requirements.
4. Specifications subject to change without prior notice.