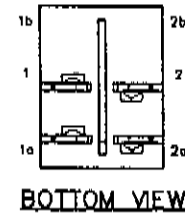
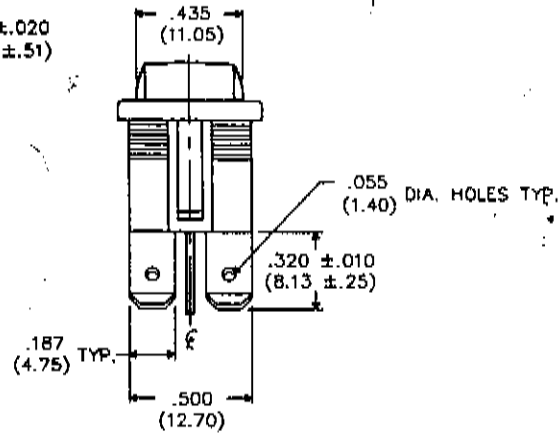
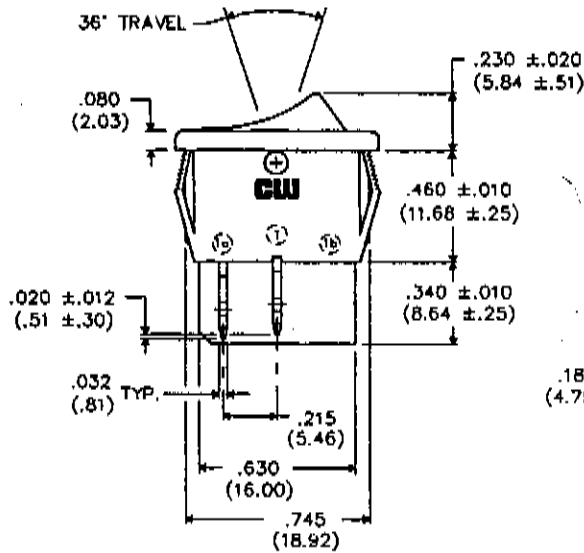
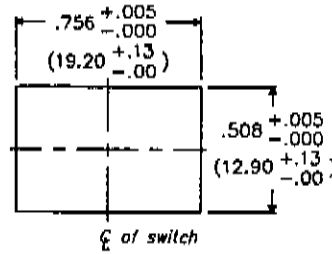
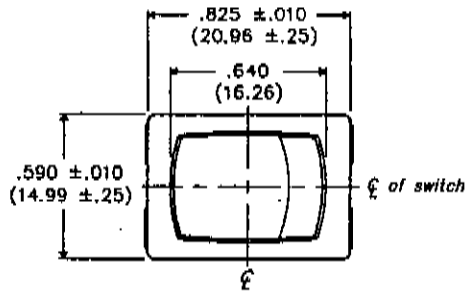


DIMENSIONS IN INCHES (MILLIMETERS)
DO NOT SCALE DRAWING

Dwg. No.
GRS-4021B-0000

PANEL PIERCING



FORM-B
REVISIONS
0
RELEASED
BY: 8-04-84
DATE: AUG 18 1984
JFK

CW INDUSTRIES
Southampton, Pa. 18966

Title: **ROCKER SWITCH ASSEMBLY (POP IN) D.P. - ST.**

TOLERANCES UNLESS OTHERWISE SPECIFIED
2 Place decimal ±.010 METRIC
3 Place decimal ±.005 1 Place dec. ±.28mm
Angles ± 1' 2 Place dec. ±.13mm

Made for: CW IND.

Division: **SWITCH**

Drawn by: DGW 8-04-84

Dwg. No.

Checked by: G. Guld 8-8-84

GRS-4021B-0000

Approved: J. J. F. C. W.

MASTER MASTER