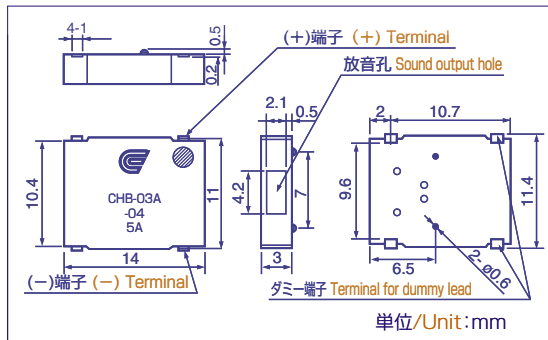


CHB-03A-04

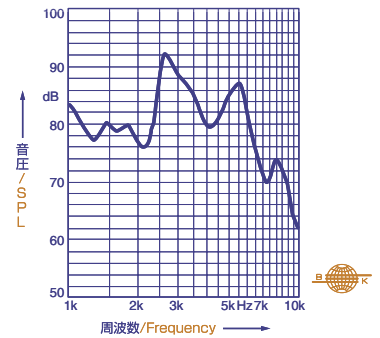


14×11×3mm

●外形寸法図/Outline drawing



●周波数特性/ Frequency characteristics



●仕様/Specifications

定格電圧*1	Rated voltage*1	(V)	1.5	最小音圧*2	Minimum sound pressure level	(dB (A))	83	駆動周波数	Driving frequency	(Hz)	2700
平均消費電流最大値	Average maximum rated current	(mA)	60	平均音圧*2	Average sound pressure level	(dB (A))	87	直流抵抗	Direct current resistance	(Ω)	9.5

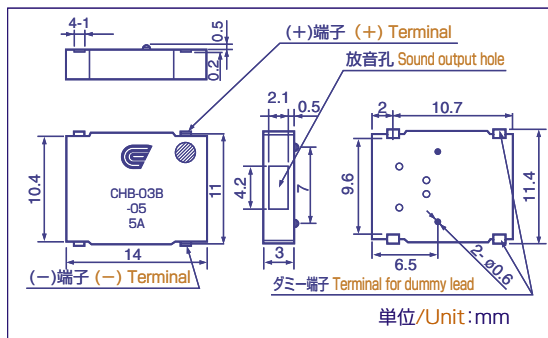
※1 DUTY50% 方形波/Duty 50% Square wave ※2 (1)無響室内において、(2)マイクホンとの距離を放音孔前方10cmとし、(3)発音体を単体で測定することを条件とします。/The condition is to take measurements (1) in the anechoic chamber, (2) at the distance of 10cm in front of sound output hole to the microphone and (3) with the sound generator alone.

CHB-03B-05

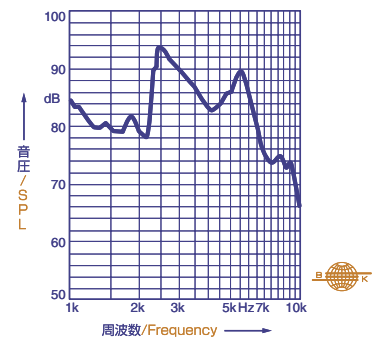


14×11×3mm

●外形寸法図/Outline drawing



●周波数特性/ Frequency characteristics

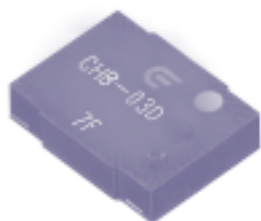


●仕様/Specifications

定格電圧*1	Rated voltage*1	(V)	3	最小音圧*2	Minimum sound pressure level	(dB (A))	87	駆動周波数	Driving frequency	(Hz)	2700
平均消費電流最大値	Average maximum rated current	(mA)	70	平均音圧*2	Average sound pressure level	(dB (A))	93	直流抵抗	Direct current resistance	(Ω)	18

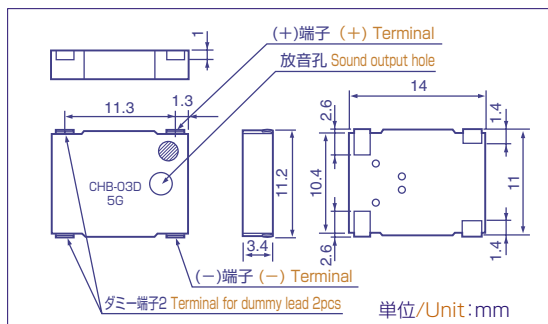
※1 DUTY50% 方形波/Duty 50% Square wave ※2 (1)無響室内において、(2)マイクホンとの距離を放音孔前方10cmとし、(3)発音体を単体で測定することを条件とします。/The condition is to take measurements (1) in the anechoic chamber, (2) at the distance of 10cm in front of sound output hole to the microphone and (3) with the sound generator alone.

CHB-03D

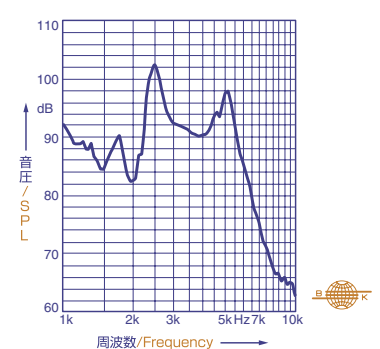


14×11×3.4mm

●外形寸法図/Outline drawing



●周波数特性/ Frequency characteristics



●仕様/Specifications

定格電圧*1	Rated voltage*1	(V)	5	最小音圧*2	Minimum sound pressure level	(dB (A))	87	駆動周波数	Driving frequency	(Hz)	2730
平均消費電流最大値	Average maximum rated current	(mA)	80	平均音圧*2	Average sound pressure level	(dB (A))	95	直流抵抗	Direct current resistance	(Ω)	40

※1 DUTY50% 方形波/Duty 50% Square wave ※2 (1)無響室内において、(2)マイクホンとの距離を放音孔前方10cmとし、(3)発音体を単体で測定することを条件とします。/The condition is to take measurements (1) in the anechoic chamber, (2) at the distance of 10cm in front of sound output hole to the microphone and (3) with the sound generator alone.