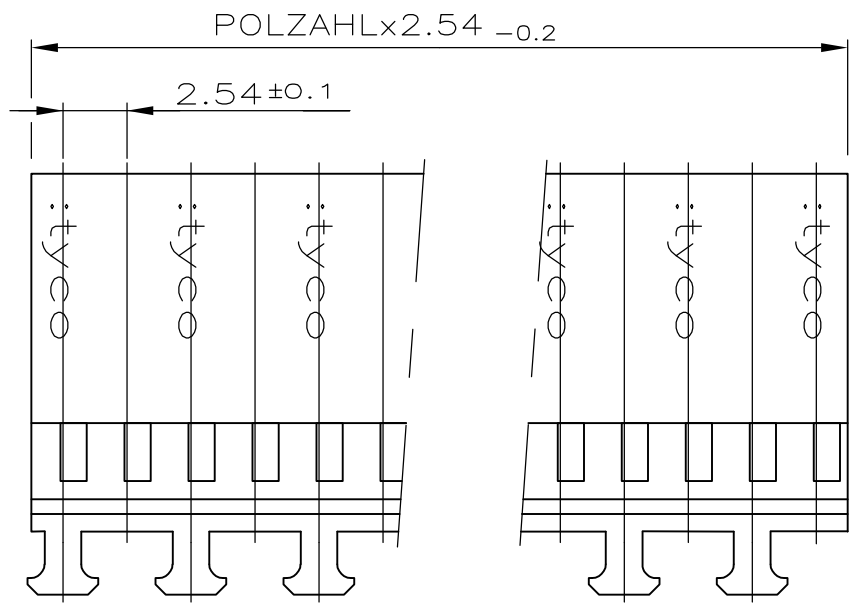
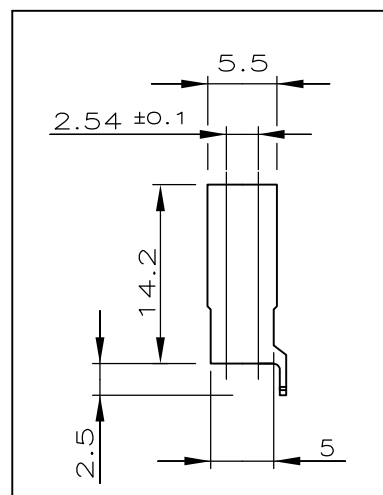


THIS DRAWING IS UNPUBLISHED. RELEASED FOR PUBLICATION
 © COPYRIGHT 2009 BY TYCO ELECTRONICS CORPORATION. ALL INTERNATIONAL RIGHTS RESERVED.

LOC	DIST	REVISIONS					
		P	LTR	DESCRIPTION	DATE	DWN	APVD
A1			Y2	Released as per ECR-09-017573	10.Aug.09	SRE	PCH
		Y3	REVISED PER ECO-09-023929	23OCT09	KK	AEG	

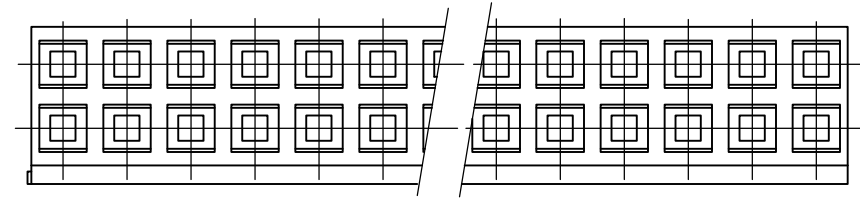
GEGENSTECKER/KONTAKT:
 MATED WITH: 825 440 167 301-4



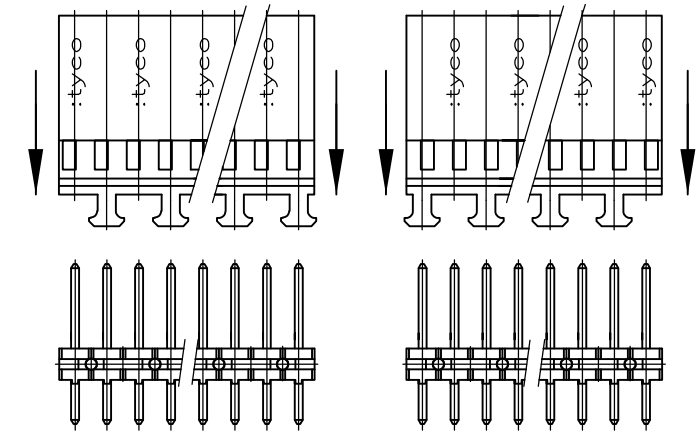
ZWEIREIHIG

POLZ. PRO REIHE	L-0.2	BESTELL-NR.
-	-	-
2	5.08	925 370 -2
3	7.62	-3
4	10.16	-4
5	12.70	-5
6	15.24	-6
7	17.78	-7
8	20.32	-8
9	22.86	-9
10	25.40	1-
11	27.94	1-
12	30.48	1-
13	33.02	1-
14	35.56	1-
15	38.10	1-
16	40.64	1-
17	43.18	1-
18	45.72	1-
19	48.26	1-
20	50.80	2-
21	53.34	-2
22	55.88	-2
23	58.42	-2
24	60.96	2-
25	63.50	-2
26	66.04	-2
27	68.58	-2
28	71.12	-2
29	73.66	-2
30	76.20	3-
31	78.74	-3
32	81.28	3-
33	83.82	-3
34	86.36	3-
35	88.90	-3
36	91.44	-3
37	93.98	-3
38	96.52	-3
39	99.06	-3
40	101.60	-4
41	104.14	-4
42	106.68	-4
43	109.22	-4
44	111.76	-4
45	114.30	-4
46	116.84	-4
47	119.38	-4
48	121.92	-4
49	124.46	-4
50	127.00	5- 925 370 -0

OBSOLETE Δ
 OBSOLETE Δ
 OBSOLETE Δ
 OBSOLETE Δ



RAST-NOPPENSTELLUNG WECHSELT PRODUKTIONSBEDINGT.
 NOPPEN VERRASTEN ENTSPRECHEND LINKS ODER RECHTS MIT STIFTLAISTE.
 POSITIONS OF LOCKING DEVICE CHANGED CONDITIONAL OF PRODUCTION.
 KNUPS LOCK ACCORDING ON THE LEFT OR RIGHT SIDE WITH PIN HEADER.



Δ OBSOLETE PARTS: OBSOLETE CIS STREAMLINING PER D.RENAUD/D.SINISI

Drawing valid from CW 32/95
 ZEICHNUNG GÜLTIG AB KW 32/95

THIS DRAWING IS A CONTROLLED DOCUMENT.		DWN DAHLHEIMER 05.12.75	Tyco Electronics AMP GmbH Langen b.F fm,Germany	
DIMENSIONS: mm		CHK KREPP	NAME AMPMODU IV GEHÄUSE, EINREIHIG Housing, single row	
TOLERANCES UNLESS OTHERWISE SPECIFIED:		APVD	PRODUCT SPEC	
0 PLC ± 0.2mm		APPLICATION SPEC		
1 PLC ± 0.2mm		SIZE A3		
2 PLC ± 0.2mm		CAGE CODE 00779		
3 PLC ± 0.2mm		DRAWING NO C-925370		
4 PLC ± 0.2mm		RESTRICTED TO		
ANGLES ± -		WEIGHT -		
MATERIAL Polyamid	FINISH Green RAL 6011	CUSTOMER DRAWING		
		SCALE 2:1	SHEET 1 OF 1	REV Y3