



IQ ASSEMBLY

MODEL 9011-36

Guaranteed Specifications

Parameter	Limits
Frequency	140 MHz \pm 10 MHz
Phase Range	0 – 360°
Input Level	REF +10 dBm
	SIG 0 dBm
VSWR	1.5:1 Max
Output Level	SIN/COS 440 mV \pm 10% (Peak to Peak)
	Impedance 500 \pm 5 Ohms
	Bandwidth 30 MHz Min
	Balance \pm 10 mV
Angular Accuracy ²	\pm 3° Max
	150 MHz \pm 3° Max

Note: All Specifications apply in a 50 Ohm system at specified levels at 25°C.

² ARC TAN (SIN/COS)

Maximum Ratings

Input Power	+13 dBm Max
Temperature Range	0°C to 85°C

Reliability

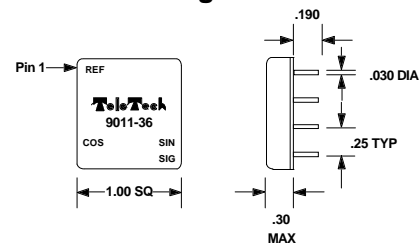
All units are designed and constructed to meet or exceed specifications after exposure to any or all of the following MIL-STD-202 tests which are applicable.

Test	Method	Condition
Temperature Cycle	107G	A
Thermal Cycle	107G	AA
Seal	112E	D
Vibration	204D	A
Solderability	208F	
Terminal Strength	211A	A
Terminal Fatigue	211A	C
Mechanical Shock	213B	C

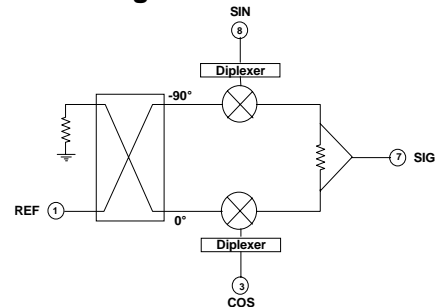
Applications

- ◆ Phase Comparator
- ◆ Image Reject Mixer
- ◆ IQ Mod/Demod
- ◆ SSB Mixer

Outline Drawing

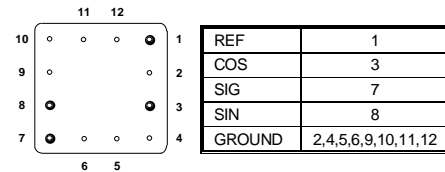


Block Diagram



Case is Signal Ground

Connections



Glass bead on Pin 1 a different color.

All characteristics of Tele-Tech products may be modified to meet customer requirements.