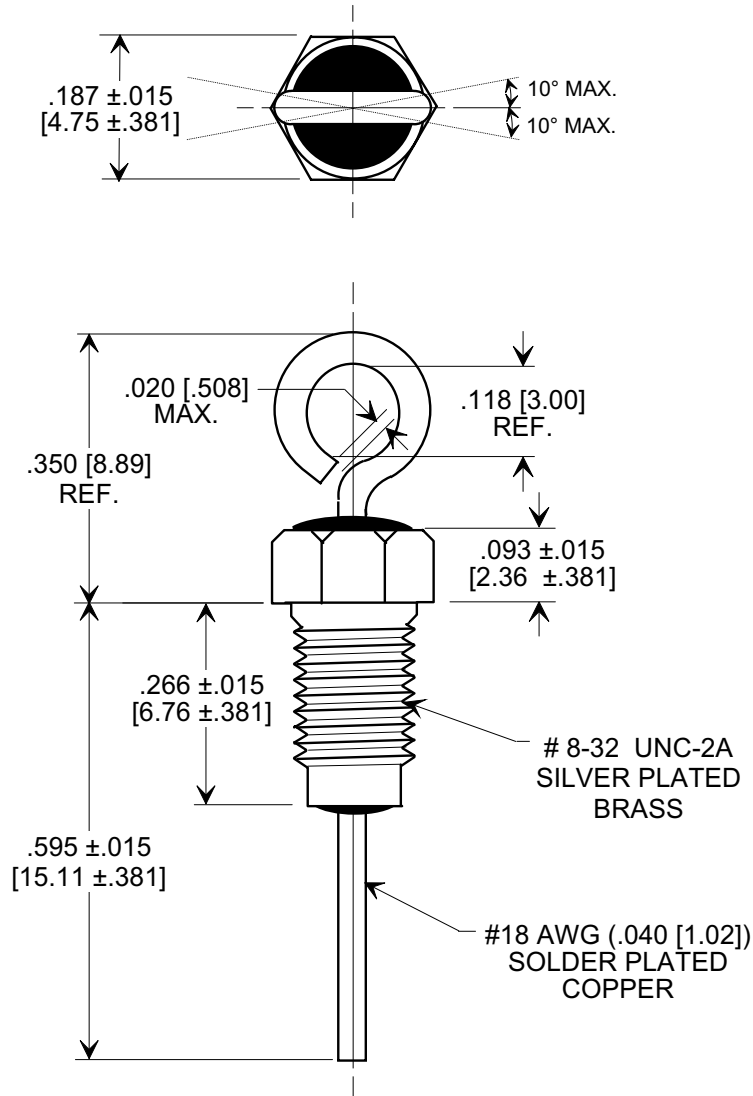
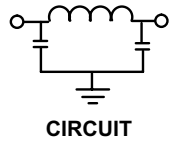


# MARKETING SALES DRAWING

**DIMENSIONS IN INCHES - DO NOT SCALE THIS DRAWING**  
**DIMENSIONS IN METRIC - [ ]**

Electrical Testing  
 per Tusonix standard  
 test plans and Mil-Std-202  
 Test Methods.



3000	100	15	13	30	50	70	70
	125 °C		10 MHz	50 MHz	100 MHz	1 GHz	10 GHz
MIN. CAP. (pF)	WORKING VOLTAGE (WVdc)	CURRENT (Adc)	MINIMUM NO LOAD INSERTION LOSS (dB) AT 25°C PER MIL-STD -220				

X-2015 Rev-0	<b>REVISION RECORD</b>		0
	Original Release		
	C.O.		
	WAS SK 7458-000. S.M. 01-12-99		
			<b>19981218-1-03</b>

--TOLERANCES-- Unless Otherwise Specified		Title <b>BUSHING MOUNT PI TYPE EMI FILTER</b>	
DECIMAL ±		Drawn S.M. 03-03-98   Scale 4x	
ANGLES ±		Approved J.Mc. 03-03-98	
<b>TUSONIX</b> TUCSON, ARIZONA		<b>A</b>	<b>4201-081</b>