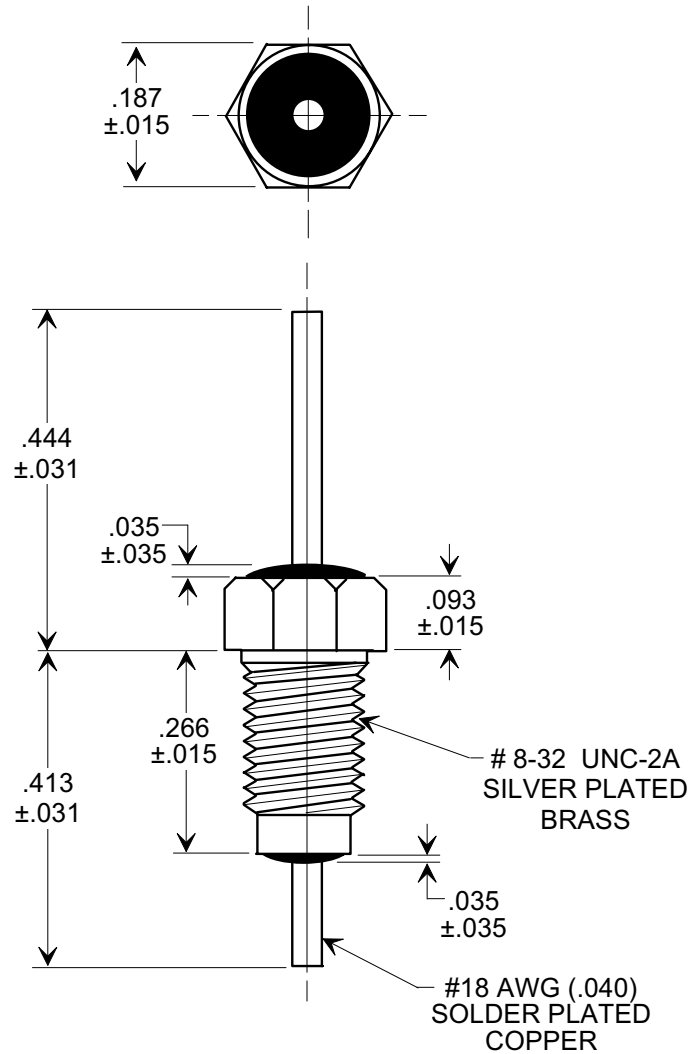


MARKETING SALES DRAWING
DIMENSIONS IN INCHES - DO NOT SCALE THIS DRAWING

Electrical Testing
 per Tusonix standard
 test plans and Mil-Std-202
 Test Methods.



NOTE:
 1. SUPPLIED WITH SILVER PLATED
 HEX NUT AND LOCKWASHER.

5500	200	100	10	14	55	70	70
	85°C	125 °C		10 MHz	100 MHz	1 GHz	10 GHz
MIN. CAP. (pF)	WORKING VOLTAGE (WVdc)		CURRENT (Adc)	MINIMUM NO LOAD INSERTION LOSS (dB) AT 25°C PER MIL-STD -220			

X-2015 Rev-0 REVISION RECORD Original Release C.O. 19981019-1-01 0	--TOLERANCES-- Unless Otherwise Specified		Title BUSHING MOUNT PI TYPE EMI FILTER	
	DECIMAL ± $\frac{\quad}{\quad}$		Drawn S.M. 10-20-98 Scale 4 X	
	ANGLES ± $\frac{\quad}{\quad}$		Approved S.C. 10-20-98	
	TUSONIX TUCSON, ARIZONA		A	4201-057