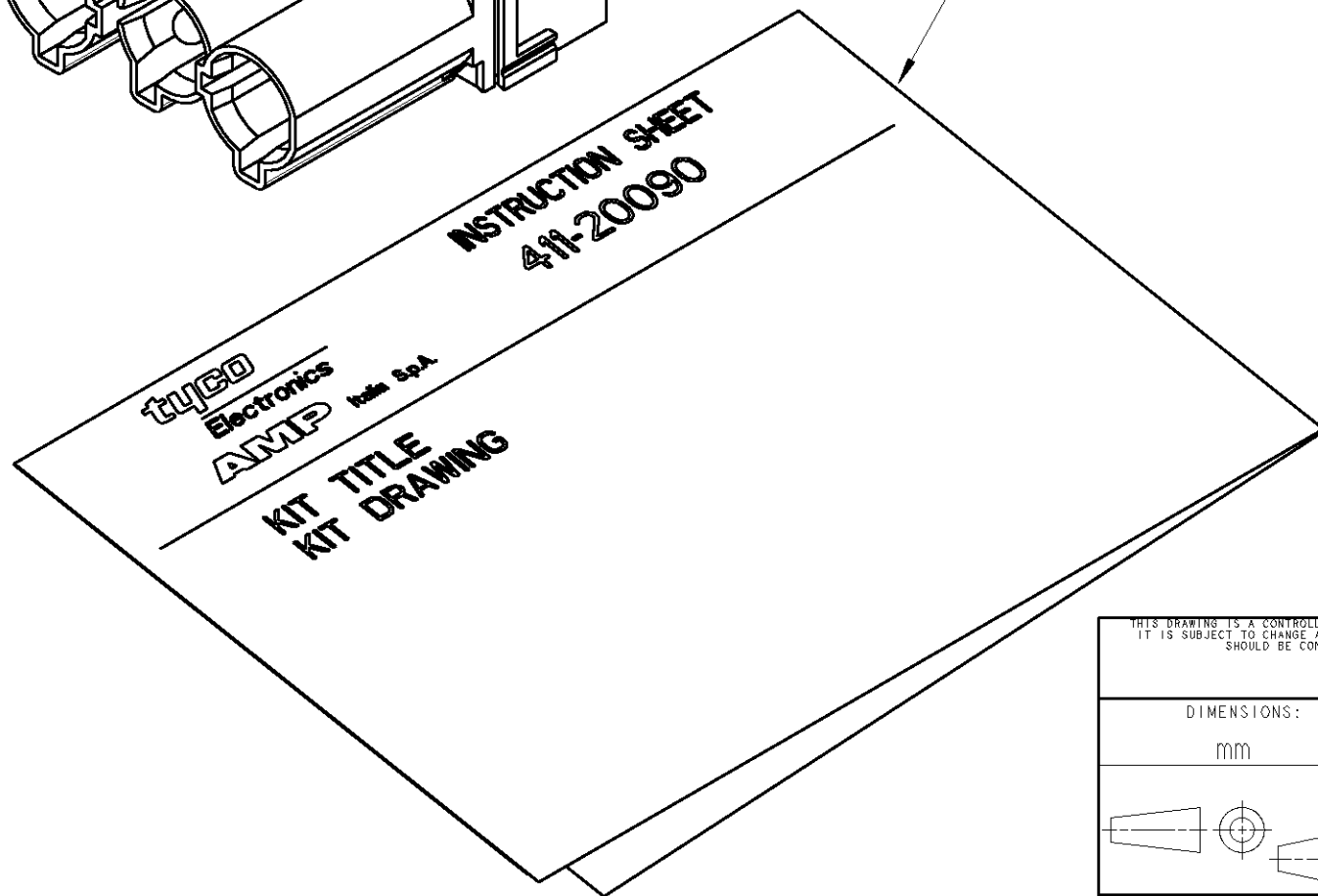
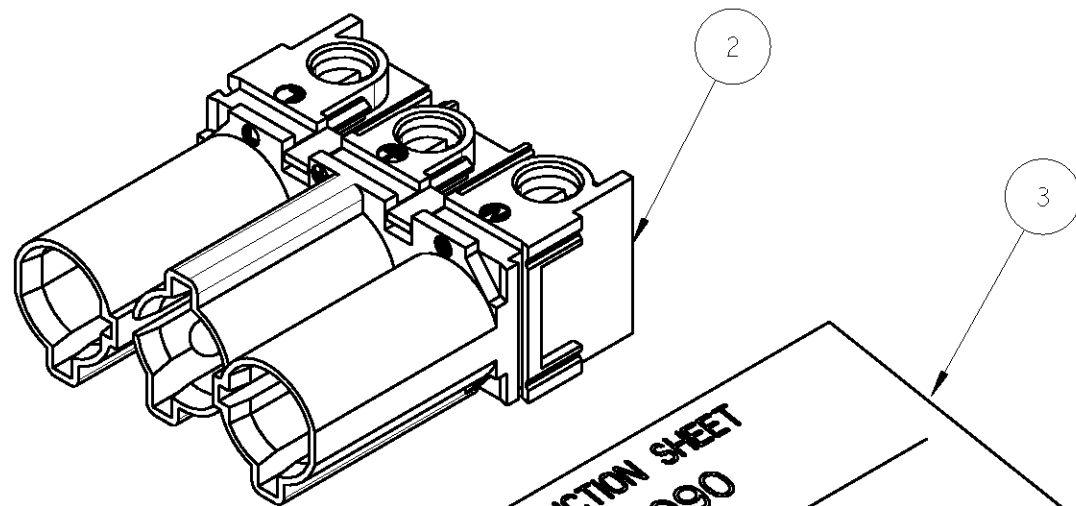
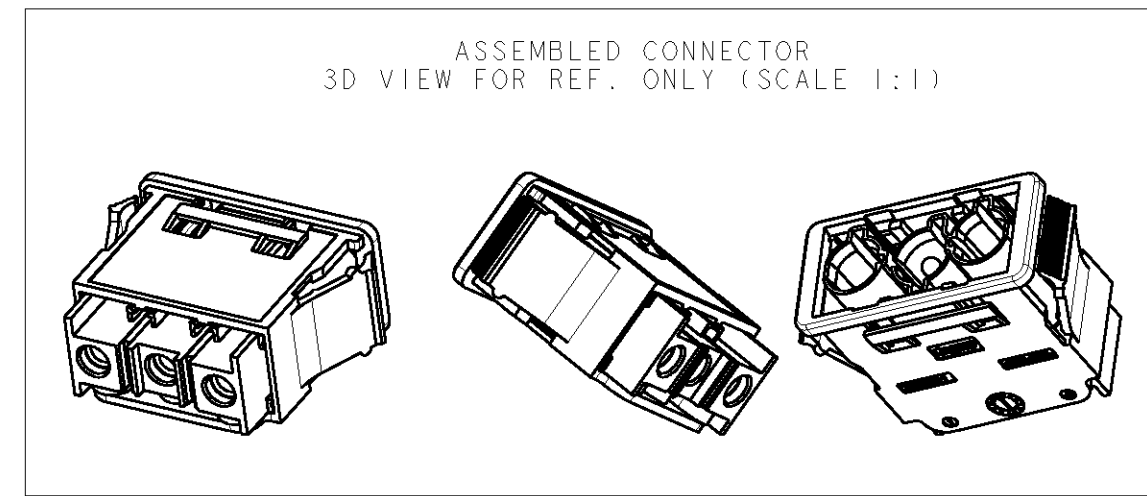
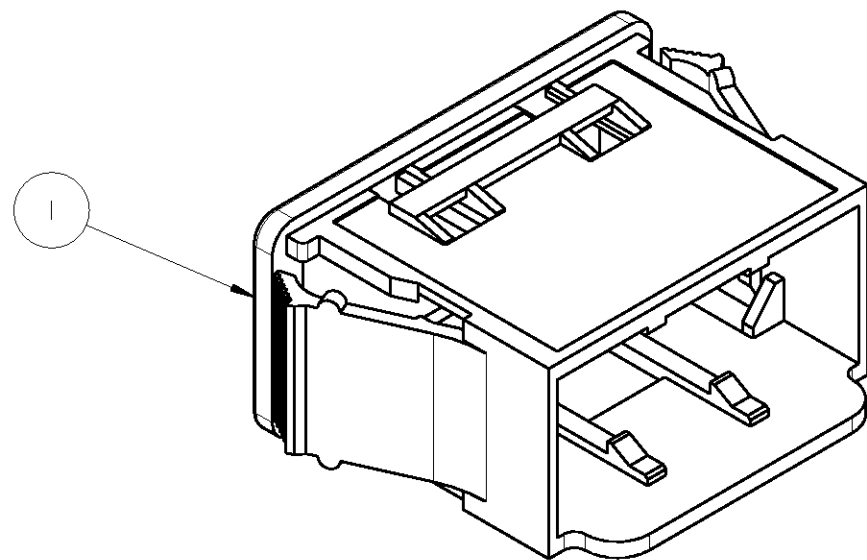


LOC	DIST	REVISIONS					
		P	LTR	DESCRIPTION	DATE	DWN	APVD
1	-	0		FIRST ISSUE	06FEB2006	UA	GT



NOTES:

1) PACKAGING ACCORDING TO TYCO SPECIFICATION 107-20255

2) INSTRUCTION-SHEET 411-20090 SHOWS ASS'Y OPERATION FOR END USER

Q.TA	PER ASSEMBLATO	Q.TY	REQ O PER ASSY	DESCRIPTION	ITEM
1	1	2		TYCO INSTRUCTION SHEET	3
1	-			TYCO NECTOR* 3 POS. RECPT. CONN. SCREW TERM. (WHITE VERSION)	2
-	1			TYCO NECTOR* 3 POS. RECPT. CONN. SCREW TERM. (BLACK VERSION)	2
1	-			TYCO NECTOR* PANEL MOUNT FRAME FOR 3 POS. CONN.S. (WHITE VERSION)	1
-	1			TYCO NECTOR* PANEL MOUNT FRAME FOR 3 POS. CONN.S. (BLACK VERSION)	1
-2	-1			DESCRIPTION	ITEM
1	1			REVISION OF EACH ASS'Y N.	
PART LIST					

<small>THIS DRAWING IS A CONTROLLED DOCUMENT FOR TYCO ELECTRONICS CORPORATION IT IS SUBJECT TO CHANGE AND THE CONTROLLING ENGINEERING ORGANIZATION SHOULD BE CONTACTED FOR THE LATEST REVISION.</small>		DWN U.A.I.M.E 06FEB2006 CHK U.A.I.M.E 06FEB2006 APVD G.TURCO 06FEB2006	tyco Electronics	AMP Italia S.p.A. C.so F.lli Cervi 15 Collegno (TO)
DIMENSIONS: mm	TOLERANCES UNLESS OTHERWISE SPECIFIED: 0 PLC ± 1 PLC ± 2 PLC ± 3 PLC ± 4 PLC ± ANGLES ±	PRODUCT SPEC - APPLICATION SPEC - WEIGHT -	NAME TYCO NECTOR* 3 POS. RECPT. CONN. 0.5-2.5 SQMM SCREW TERM. KIT FOR PANEL MOUNT FRAME	
MATERIAL -	FINISH -	CUSTOMER DRAWING	SIZE A3 CAGE CODE 00779 DRAWING NO C=293112	RESTRICTED TO - SCALE 2:1 SHEET 1 OF 1 REV 0