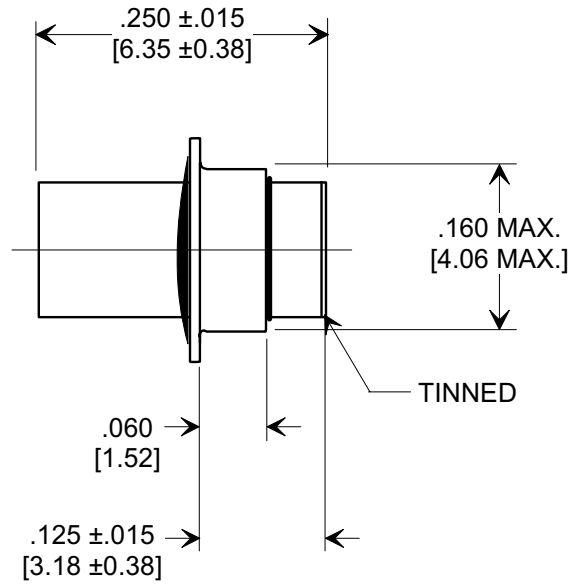
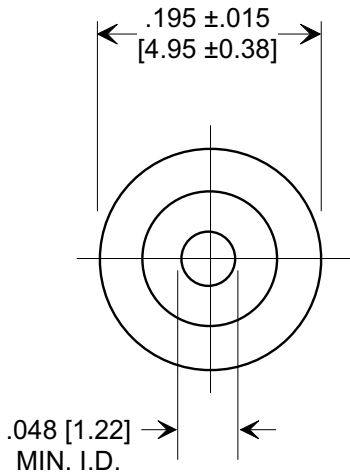
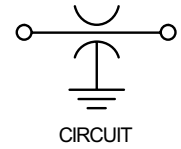
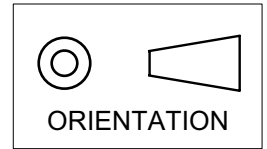


MARKETING SALES DRAWING

DIMENSIONS IN INCHES - DO NOT SCALE THIS DRAWING
DIMENSIONS IN METRIC - []

Electrical Testing
 per Tusonix standard
 test plans and Mil-Std-202
 Test Methods.



SPECIFICATIONS

TUSONIX STYLE	2482-041
Cap. Value:	560 pF
Cap. Tol.:	± 20 %
Temp. Char.:	X7R
Operating. Temp.:	-55° TO +125°C
Operating. Volt.:	300 WVDC
I.R. Min. @ 100 (VDC.)	10 G Ω
Dielectric Withstanding Voltage:	900 VDC FOR 2 SECONDS

NOTE:
 1. EXPOSED CERAMIC
 ENAMEL COATED.

X-2015 Rev-0 REVISION RECORD Original Release C.O. 20041110-2-01	0	--TOLERANCES-- Unless Otherwise Specified DECIMAL ± .015 [0.38] ANGLES ±	Title <h2 align="center">FEED-THRU CAPACITOR</h2>	
	Drawn L.E. 11-10-04 Scale 6 X			
	Approved T.C. 11-10-04			
	TUSONIX TUCSON, ARIZONA		A 2482-041-X7R0-561M	