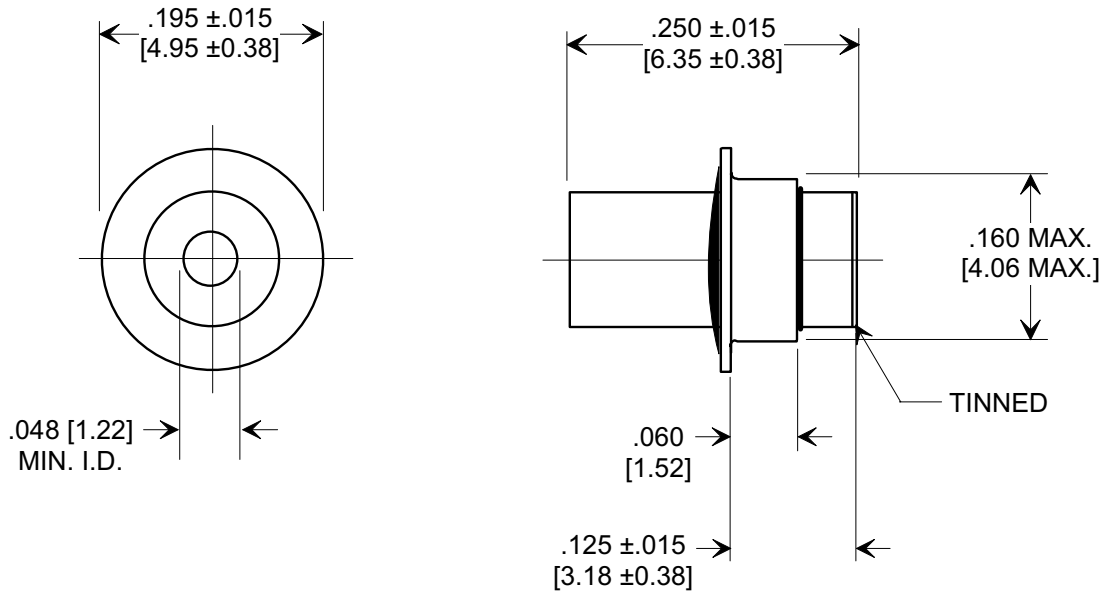
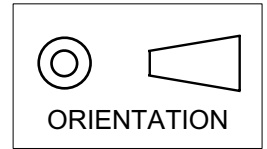


MARKETING SALES DRAWING
DIMENSIONS IN INCHES - DO NOT SCALE THIS DRAWING

Electrical Testing
 per Tusonix standard
 test plans and Mil-Std-202
 Test Methods.



SPECIFICATIONS

TUSONIX PART NO.	2482-012-X5PO-101M
Cap. Value:	100 pF
Cap. Tol.:	$\pm 20\%$
Temp. Char.:	X5P
Operating Temp.:	-55° TO +85°C
Operating Volt.:	300 WVDC
Dielectric Withstanding Voltage:	900 VDC FOR 2 SECONDS

NOTE:
 1. EXPOSED CERAMIC
 ENAMEL COATED.

X-2015 Rev-0 REVISION RECORD Original Release C.O. 19981118-5-03 ADDED DIM. .060 & MOVED TINNED & DIM. .125. S.M. 07-29-03 20030725-2-03 1	0		1		--TOLERANCES-- Unless Otherwise Specified		Title FEED-THRU CAPACITOR	
					DECIMAL \pm .015		Drawn S.M. 11-20-98 Scale 6 X	
					ANGLES \pm		Approved S.C. 11-20-98	
					TUSONIX TUCSON, ARIZONA		A 2482-012-X5PO-101M	