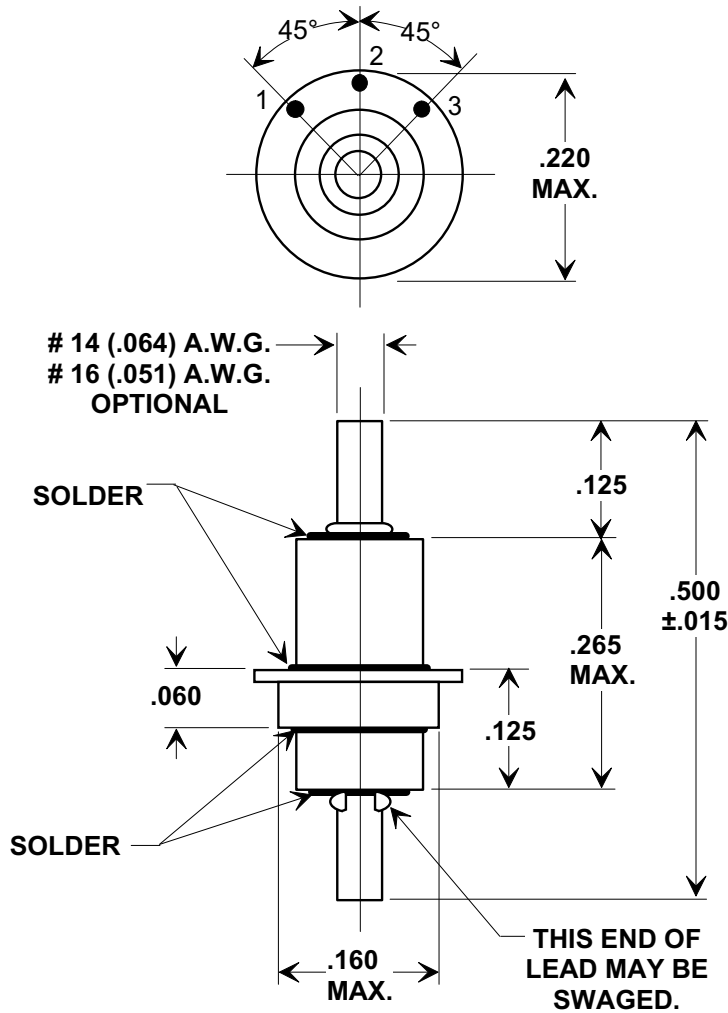
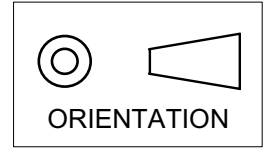


MARKETING SALES DRAWING
DIMENSIONS IN INCHES - DO NOT SCALE THIS DRAWING

Electrical Testing
 per Tusonix standard
 test plans and Mil-Std-202
 Test Methods.



SPECIFICATIONS

TUSONIX PART NO.	2482-001-X5UO-101M
Cap. Value:	100 pF
Cap. Tol.:	$\pm 20\%$
Temp. Char.:	X5U
Operating. Temp.:	-55° TO $+85^{\circ}\text{C}$
Operating. Volt.:	300 WVDC

NOTE:
 1. EXPOSED CERAMIC
 ENAMEL COATED.

X-2015 Rev-0 REVISION RECORD	Original Release C.O.	0	SOLDER ADDED TO TOP OF TUBE. L.E. 09-06-91 REDRAWN TO COMP FMT & ADDED SPEC. BOX. S.M. 02-27-98 19980226-3-01	--TOLERANCES-- Unless Otherwise Specified		Title FEED-THRU CAPACITOR		
	REACTIVATED & REDRAWN. L.E. 09-03-86	5		DECIMAL \pm .010	Drawn	S.M. 02-27-98	Scale	
	6173	6		ANGLES \pm	Approved	S.C. 02-27-98		
		7			TUSONIX TUCSON, ARIZONA		A 2482-001-X5U0-101M	