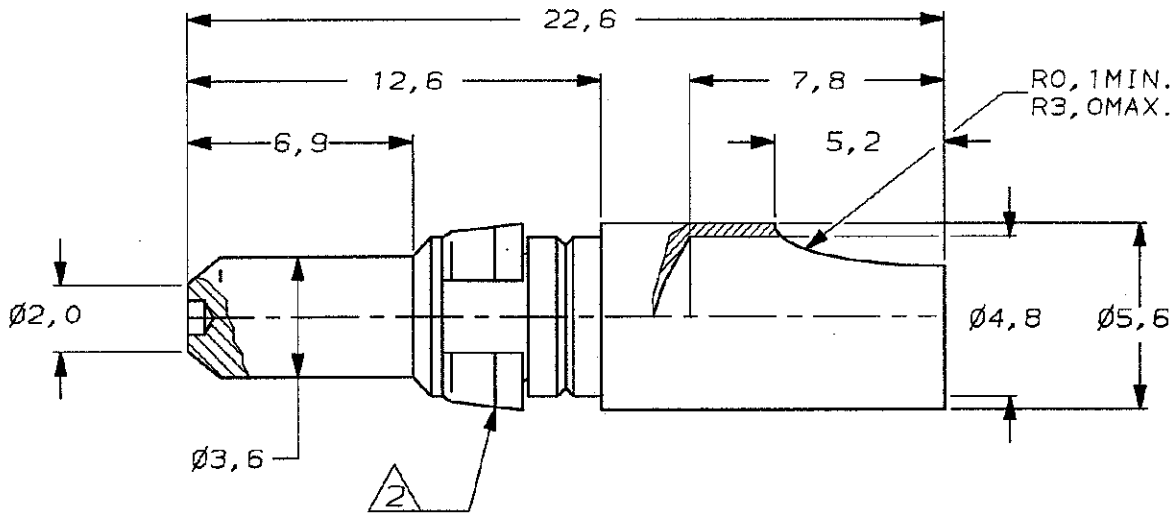
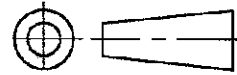


DO NOT SCALE

DIMENSIONS IN mm

METRIC


THIRD ANGLE
PROJECTION



NOTES:

1 SUITABLE FOR MALE D-IEC AND DIN 41612
TYPE M MALE CONNECTORS.

2 RETAINING RING.

GOLD (CLASS 1)		CONTACT ; BRASS			100075-1	
FINISH		MATERIAL			PARTNUMBER	
-	-	-	-	-	CUSTOMER DRAWING FOR REFERENCE ONLY WILL NOT BE UPDATED	
-	-	-	-	-	© COPYRIGHT 19- BY AMP HOLLAND B.V. ALL INTERNATIONAL RIGHTS RESERVED. AMP PRODUCTS MAY BE COVERED BY U.S. AND FOREIGN AND/OR PATENTS PENDING.	
-	-	-	-	-	THIS DRAWING IS UNPUBLISHED RELEASED FOR PUBLICATION , 19	
C	EH-1414-97	J.G.	J.G.	12-12-97	 AMP HOLLAND B.V. 's-Hertogenbosch, The Netherlands.	
B	H-9578	S.M.	B.M.	04-03-92		
A	H-9387	S.M.	B.M.	11-12-91		
LTR.	REVISION RECORD	DR.	CHK.	DATE	NAME POWER CONTACT MALE SOLDER CUP LONG (40 AMP)	
DR.:	J.V.LIEMPT	CHK.:	J. Gibbels	APP.:	DWG. No.	
DATE:	21-03-91	DATE:	12-12-97	DATE:	C-100075	
					REV. LTR.	SHEET
					C	1 OF 1
					A4	