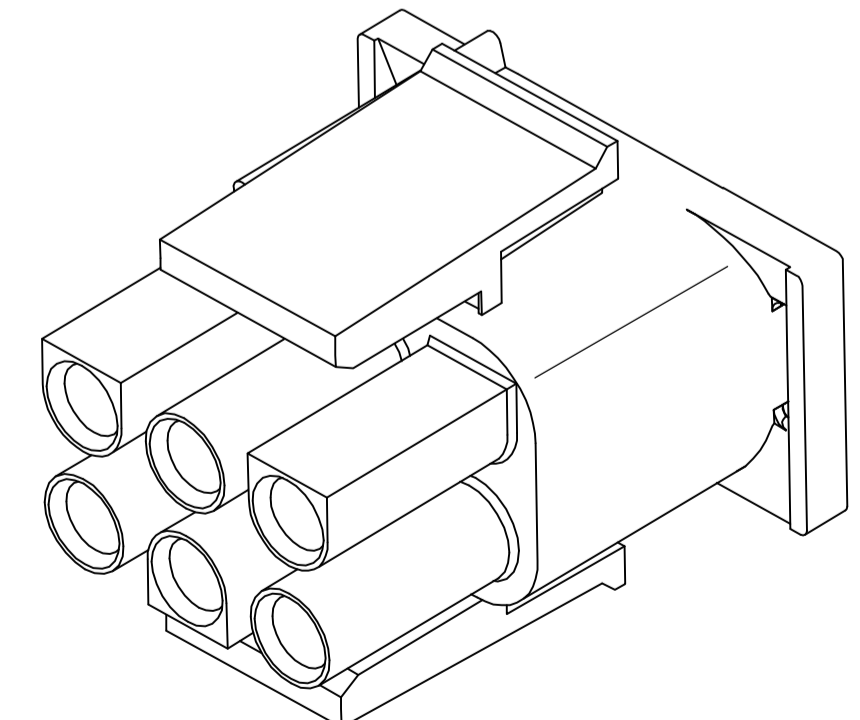
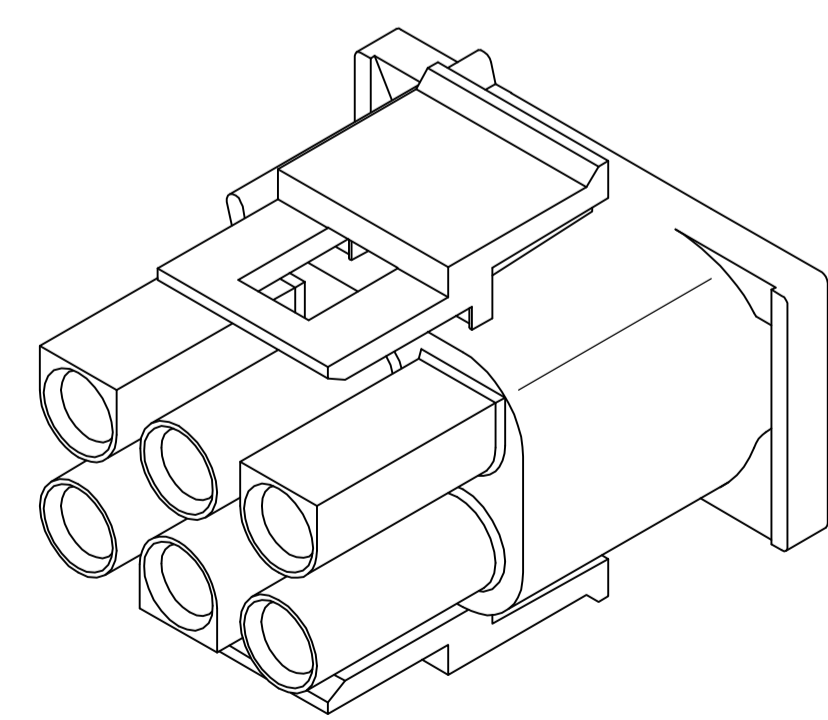
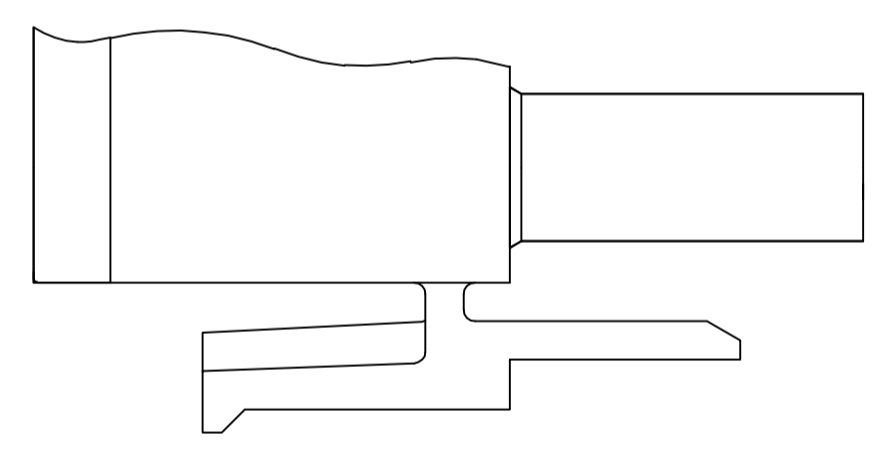
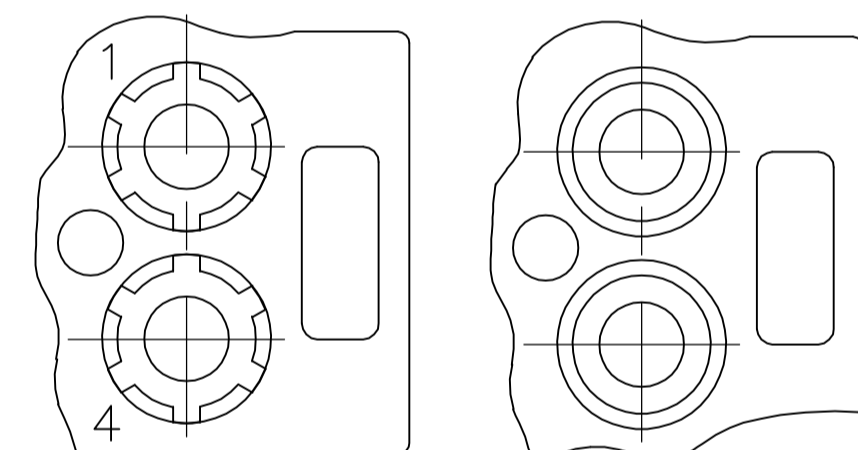
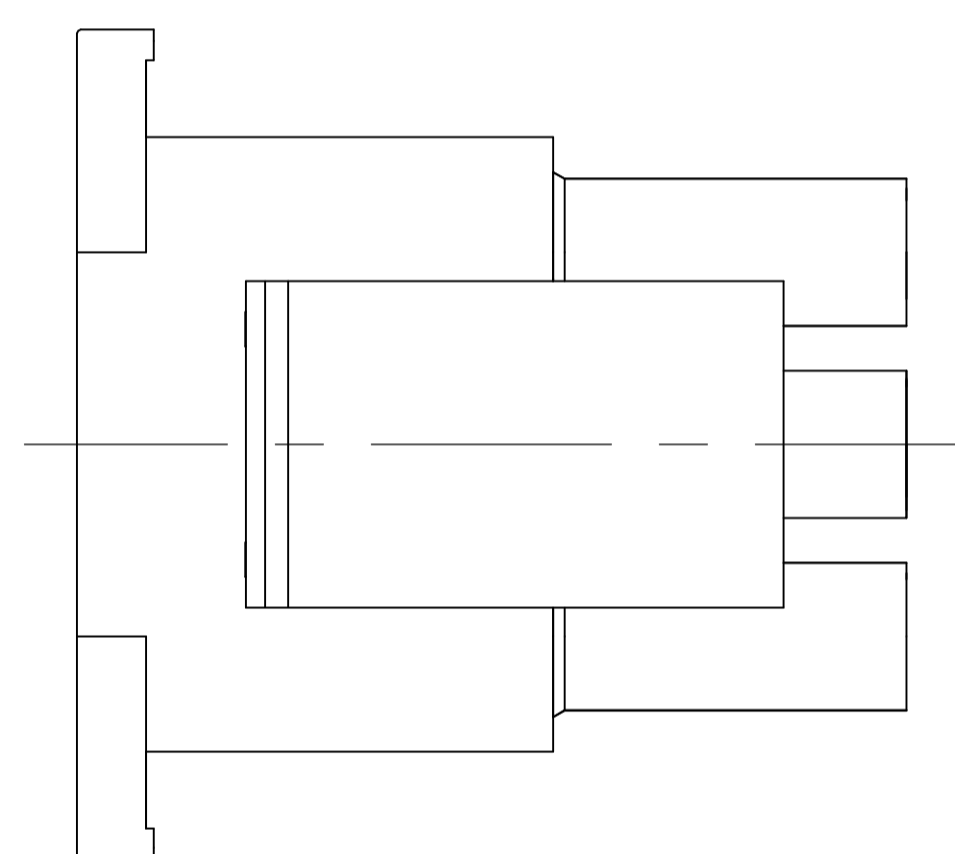
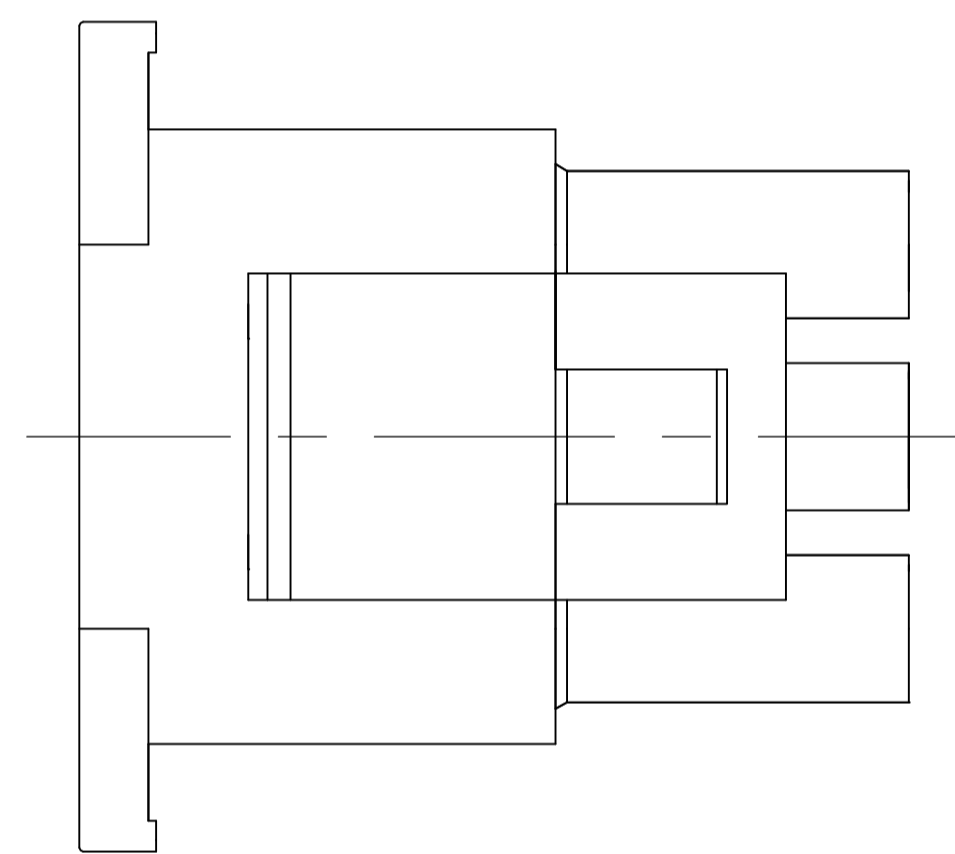


- MATES WITH APPROPRIATE UNIVERSAL MATE-N-LOK™ CAP OR HEADER.
- SMALL NICKS ARE PERMITTED ON THE CIRCUIT TOWERS WHICH COULD INCREASE THE INITIAL HOUSING MATING FORCE BY UP TO 4.4 NEWTONS [1.0 LBS]. NO INDIVIDUAL NICKED TOWER SHALL INCREASE THIS FORCE BY OVER 2.2 NEWTONS [.5 LBS].
- △ DIMENSION INDICATED IS AS MOLDED. ADDITIONAL GROWTH DUE TO SUBSEQUENT MOISTURE ABSORPTION MAY OCCUR.
- △ FOUR RIBS EQUALLY SPACED, NO SPECIFIC ORIENTATION. NO RIBS OR SIX RIBS EQUALLY SPACED, NO SPECIFIC ORIENTATION, OPTIONAL.
- △ NOT MANUFACTURED IN U.S.
- △ UNDERWRITERS RECOGNIZED COMPONENT LOGO AND CSA CERTIFICATION LOGO TO BE LOCATED ONCE EACH ON SIDE OF HOUSING.
- MANUFACTURING LOCATION ID ON SIDE OF HOUSING (OPTIONAL).
- △ TRADEMARK LOCATION (AMP OR TYCO).



BLACK	1-350715-9
GRAY	1-350715-8
BLUE	1-350715-6
GREEN	1-350715-5
YELLOW	1-350715-4
ORANGE	1-350715-3
RED	1-350715-2
BROWN	1-350715-1
△	350715-4
NATURAL	350715-1
COLOR	PART NUMBER

METRIC

THIS DRAWING IS A CONTROLLED DOCUMENT.

DIMENSIONS: mm [INCHES]	TOLERANCES UNLESS OTHERWISE SPECIFIED:	DIN S. HOOVER 14APR04	Tyco Electronics Corporation Harrisburg, Pa 17105-3608
0 PLC ± -	1 PLC ± -	CHK S. RIDGILL 14APR04	
2 PLC ± 0.13 [.005]	3 PLC ± -	APVD S. RIDGILL 14APR04	NAME PLUG, 6 CIRCUIT, UNIVERSAL MATE-N-LOK(TM)
4 PLC ± -	ANGLES ± -	PRODUCT SPEC	
MATERIAL NYLON, UL 94V-0	FINISH -	APPLICATION SPEC	SIZE CAGE CODE DRAWING NO A1 00779 C=350715
CUSTOMER DRAWING		WEIGHT -	RESTRICTED TO SCALE 4:1 SHEET 1 OF 1 REV Y1