

Type: YS-2, YS-2L

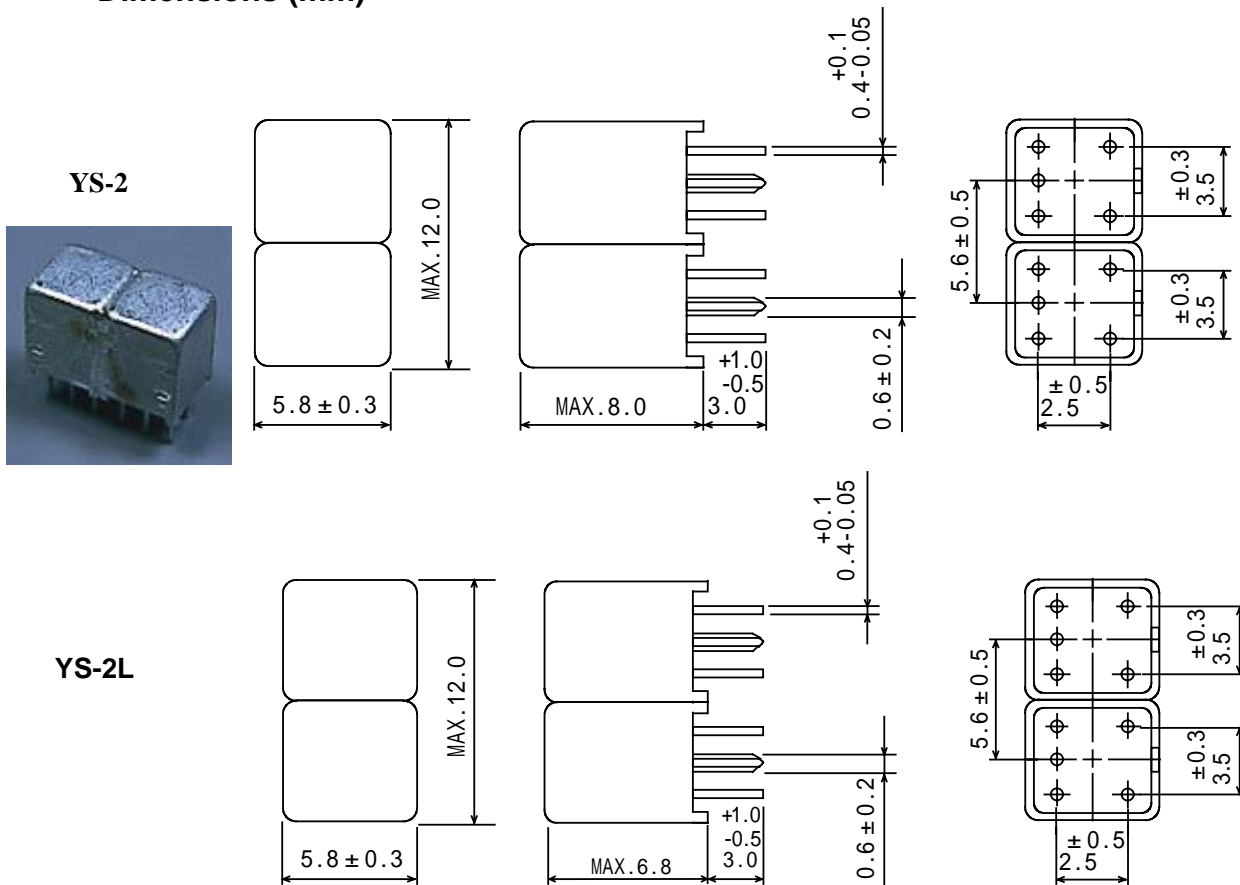
Product Description

- 12.0 × 6.1mm Max.(L × W), 8.0mm(YS-2)and 6.8mm(YS-2L,low profile)Max. Height
- Operating frequency:0.1~20MHz
- In addition to the reference versions of parameters shown here, custom designs are available to meet your exact requirements

www.DataSheet4U.com **Feature**

- Variable and/or fixed shielded type with two individual coils combined.
- Two built-in chip capacitors are in one coil.
- Ideally used as video frequency LC filters for VCR, video cameras, etc. (LPF, BPF, Delay Line and Equalizers).
- RoHS Compliance

Dimensions (mm)

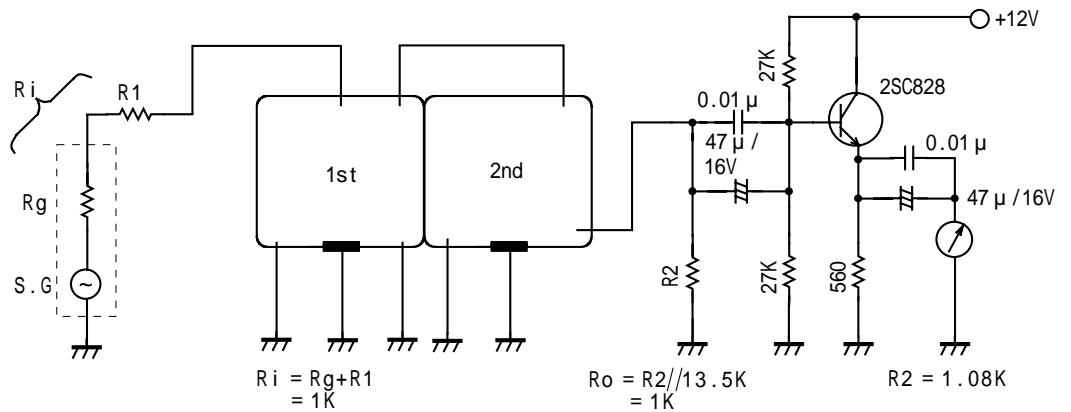


- * Dimension does not include solder used on coil.
- * Pin pitch should be measured at the root of terminal.

Please refer to the sales offices on our website for a representative near you

Type: YS-2, YS-2L

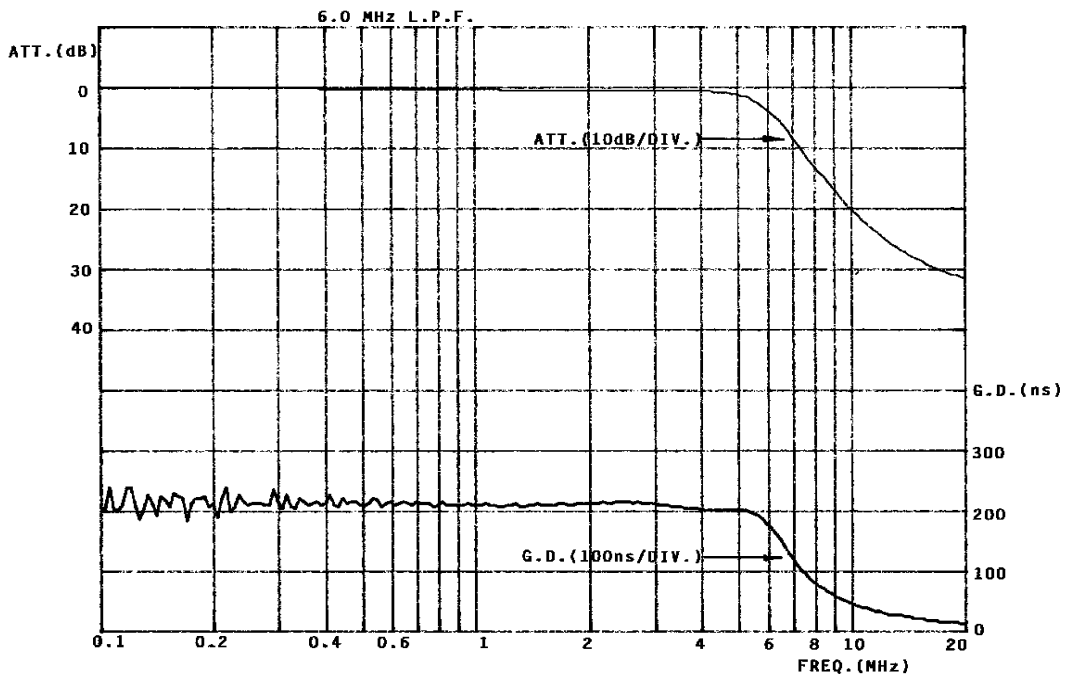
1.YS-2
Testing Circuit



Specification (Part Number: 2541-T015)

Item	Specification	
Input impedance (R _{in})	1.0kΩ	
Output impedance (R _{out})	1.0kΩ	
Attenuation	6MHz	3.0dB±3.0dB within
	10MHz	13dB Min.
Insertion loss	1.0MHz	1.0dB Max.
Group delay time	0.2MHz	210ns±25ns within
	4.0MHz	210ns±25ns within

Frequency Response (Attenuation 0dB at 0.1MHz)

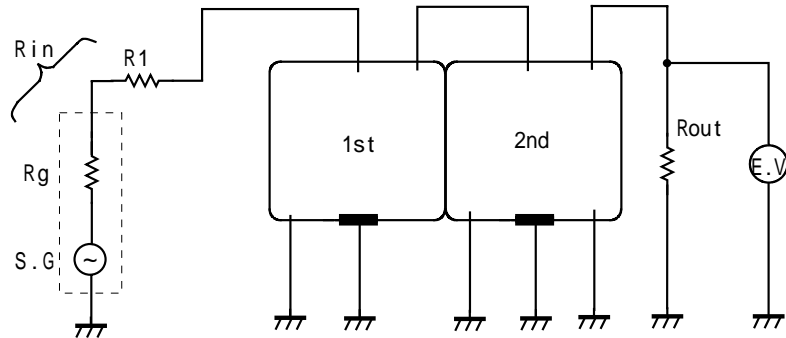


Please refer to the sales offices on our website for a representative near you

Type: YS-2, YS-2L

2.YS-2L

Testing Circuit

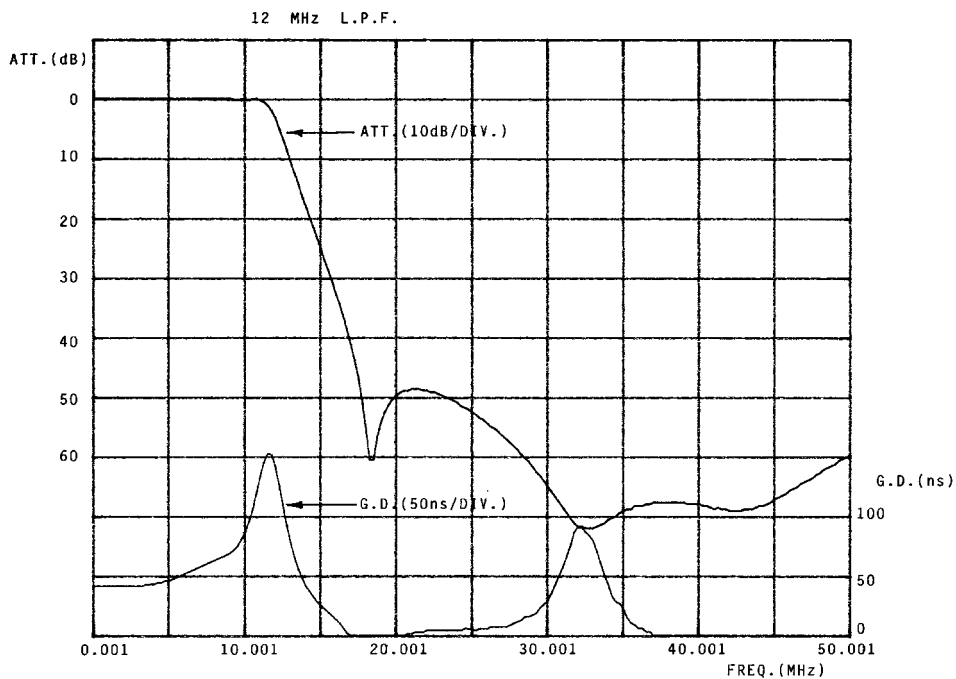


www.DataSheet4U.com

Specification (Part Number: 2546-T005)

Item	Specification	
Input impedance (Rin)		330Ω
Output impedance (Rout)		22kΩ
Attenuation	10MHz	0.3dB±0.8dB within
	11MHz	0.6dB±0.8dB within
	12MHz	3.5dB±3.5dB within
	13.5MH	14.5dB (Typ.)
	27MHz	55dB (Typ.)
	50MHz	48dB (Typ.)
Insertion loss	1.0MHz	1.0dB Max.
Group delay time	8MHz	22nS (Typ.)
	10MHz	45nS (Typ.)

Frequency Response (Attenuation 0dB at 1MHz)



Please refer to the sales offices on our website for a representative near you