

PLEASE CHECK WWW.MOLEX.COM FOR LATEST PART INFORMATION

Part Number: [5010141474](#)
Status: **Active**
Description: 0.50mm (.020") Pitch Cradlecon™ I/O Plug, SMT, Right Angle, Through Hole Shell Tabs, 14 Circuits, with Kapton Pick and Place Tape

Documents:

[3D Model](#) [Product Specification PS-59205-011 \(PDF\)](#)
[Drawing \(PDF\)](#) [RoHS Certificate of Compliance \(PDF\)](#)
[Product Specification PS-500887-002 \(PDF\)](#)

General

Product Family	I/O Connectors
Series	501014
Application	Wire-to-Board
Comments	With Kapton Tape
Component Type	Plug
Product Name	CradleCon™
Type	N/A
Physical	
Boot Color	N/A
Circuits (Loaded)	14
Circuits (maximum)	14
Color - Resin	Black
Gender	Plug
Lock to Mating Part	Yes
Material - Metal	Brass
Material - Plating Mating	Gold
Material - Plating Termination	Tin
Material - Resin	High Temperature Thermoplastic
Number of Rows	2
Orientation	Right Angle
PCB Locator	Yes
PCB Retention	Yes
PCB Thickness Recommended (in)	0.031 In, 0.039 In
PCB Thickness Recommended (mm)	0.80 mm, 1.00 mm
Packaging Type	Embossed Tape on Reel
Panel Mount	No
Pitch - Mating Interface (in)	0.020 In
Pitch - Mating Interface (mm)	0.50 mm
Pitch - Term. Interface (in)	0.020 In
Pitch - Term. Interface (mm)	0.50 mm
Plating min: Mating (µin)	8
Plating min: Mating (µm)	0.2
Plating min: Termination (µin)	80
Plating min: Termination (µm)	2
Polarized to Mating Part	Yes
Polarized to PCB	Yes
Ports	1
Surface Mount Compatible (SMC)	Yes
Temperature Range - Operating	-20°C to +60°C
Termination Interface: Style	Surface Mount
Waterproof / Dustproof	No

Electrical

Current - Maximum per Contact 0.4A

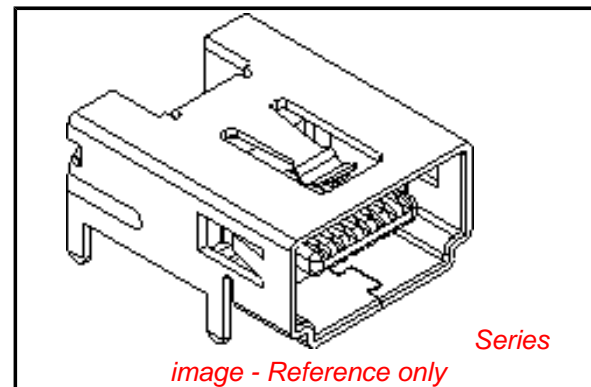


image - Reference only

EU RoHS

**ELV and RoHS
Compliant**
REACH SVHC
 Not Reviewed
**Halogen-Free
Status**

China RoHS



Not Reviewed

**Need more information on product
environmental compliance?**

Email productcompliance@molex.com
 For a multiple part number RoHS Certificate of Compliance, [click here](#)

Please visit the [Contact Us](#) section for any non-product compliance questions.

Search Parts in this Series

501014Series

Mates With

Custom Harness, [500887-1419](#)

Shield Type
Shielded
Voltage - Maximum

Full Shield
Yes
30V AC (RMS)/DC

Material Info

Reference - Drawing Numbers

Product Specification
Sales Drawing

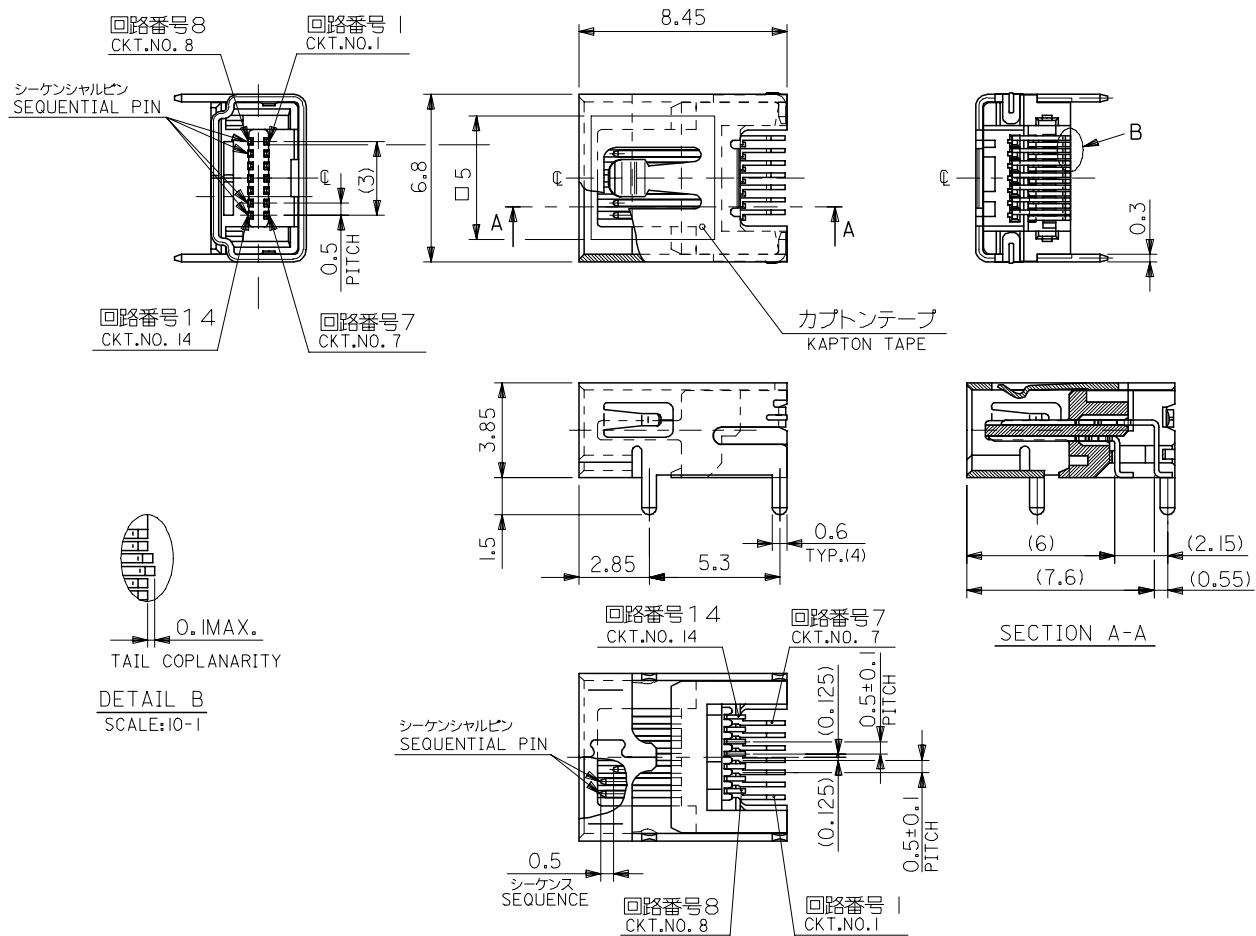
PS-500887-002, PS-59205-011, RPS-500240-003
SD-501014-007, SD-501014-008

This document was generated on 04/19/2010

PLEASE CHECK WWW.MOLEX.COM FOR LATEST PART INFORMATION

NOTE:

1. 適合リセ番号: 500240-1401
(CABLE HARNESS)
APPLICABLE REC. NO.: 500240-1401
(CABLE HARNESS)
2. 材質
MATERIAL
 - 2-1.ハウジング: ガラス入り耐熱樹脂
94V-0, 黒色
HOUSING: G.F. HEAT RESISTANT PLASTIC
94V-0, BLACK COLOR
 - 2-2. ターミナル: 銅合金
TERMINAL: COPPER ALLOY
 - 2-3. プラグ シールド: ステンレス鋼
PLUG SHIELD: STAINLESS STEEL
3. メッキ仕様
PLATING
 - 3-1. ターミナル
TERMINAL
 - 3-1-1. 接点部: 金メッキ 0.1umMIN.
CONTACT AREA: GOLD
 - : パラジウムニッケルメッキ 0.2umMIN.
PALLADIUM-NICKEL
 - 3-1-2. 半田付け部: 錫メッキ 1.0um以上
SOLDER TAIL AREA: TIN
 - 3-1-3. 下地メッキ: ニッケルメッキ 1.5 ~ 3um
UNDER-PLATING: NICKEL
 - 3-2. プラグ シールド
PLUG SHIELD
 - 3-2-1. 金コート処理
GOLD COATING
 - 3-2-2. 下地メッキ: ニッケルメッキ 1.0 ~ 2um
UNDER-PLATING: NICKEL
4. 本製品は 55768-1425 の鉛フリー品である。
THIS PRODUCT IS LEAD FREE OF 55768-1425.



DETAIL B
SCALE: 10:1

501014-1425	501014-14**
MATERIAL NO.	MODEL NO.

RELEASED EC NO: J2005-0233 DRAWN: MNABE CHKD: KTOJO APPR: NUKITA 2004/08/03 2004/08/03 2004/08/04	GENERAL TOLERANCES (UNLESS SPECIFIED)		DIMENSION STYLE MM ONLY		SCALE 5:1	DESIGN UNITS METRIC	THIRD ANGLE PROJECTION
	10 UNDER	±0.2	DRAWN BY MNABE1	DATE '04/07/20	TITLE 0.5 I/O CONN PLUG HS'G ASSY 14CKT -LEAD FREE-		
	10 OVER 30 UNDER	±0.25	CHECKED BY KTOJO	DATE '04/07/20			
	30 OVER	±0.3	APPROVED BY NUKITA	DATE '04/07/20	MOLEX INCORPORATED		
ANGULAR	±3 °	MATERIAL NO.	DOCUMENT NO.	SHEET NO.			
DRAFT WHERE APPLICABLE MUST REMAIN WITHIN DIMENSIONS		SEE CHART		SD-501014-007		1 OF 2	
SIZE A3 THIS DRAWING CONTAINS INFORMATION THAT IS PROPRIETARY TO MOLEX INCORPORATED AND SHOULD NOT BE USED WITHOUT WRITTEN PERMISSION							

10 9 8 7 6 5 4 3 2 1

F

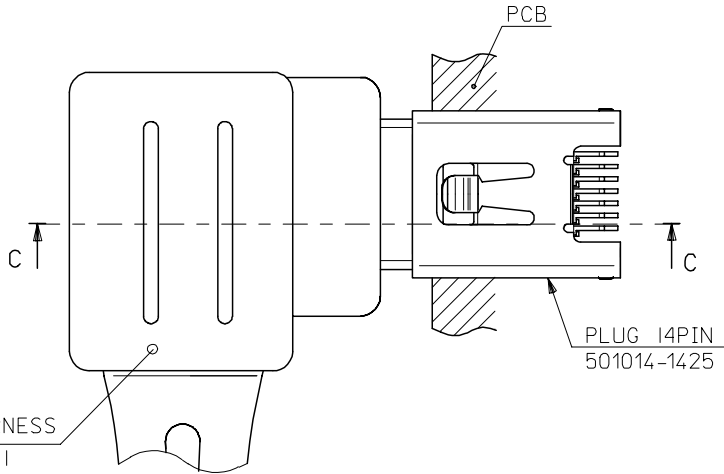
E

D

C

B

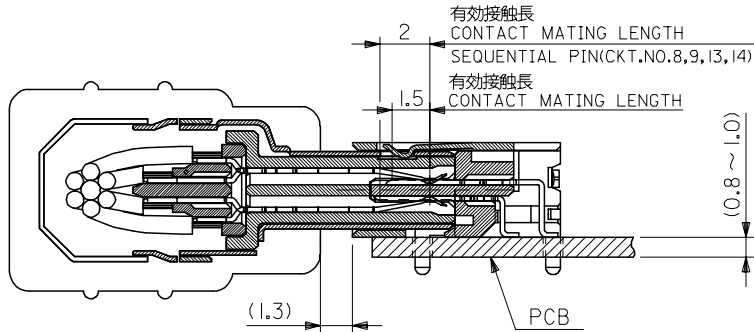
A



14PIN CABLE HARNESS
500240-1401

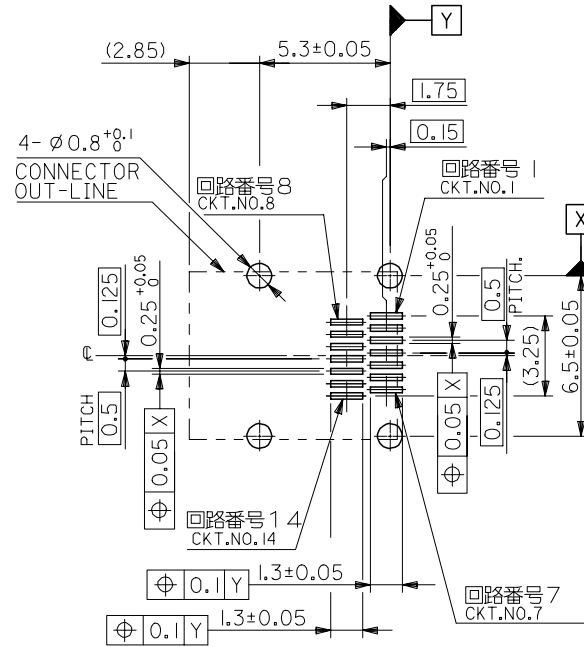
PCB
PLUG 14PIN
501014-1425

嵌合図
MATED CONNECTORS



有効接触長
CONTACT MATING LENGTH
SEQUENTIAL PINCKT.NO.8,9,13,14
有効接触長
CONTACT MATING LENGTH

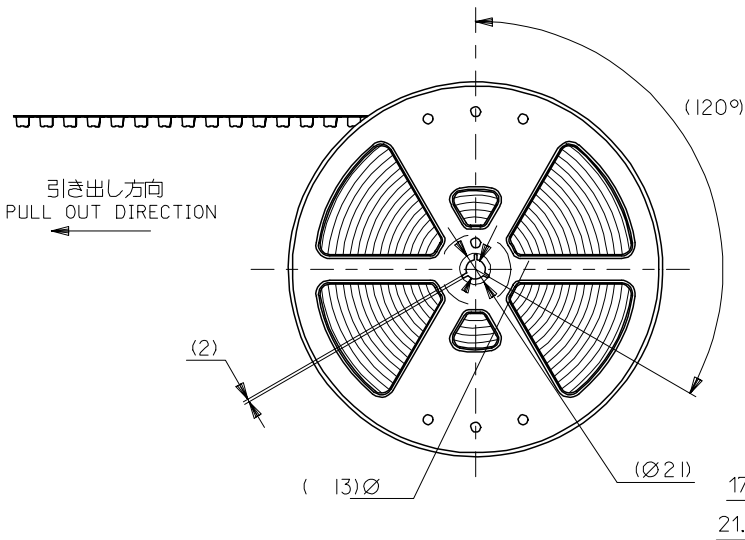
SECTION C-C



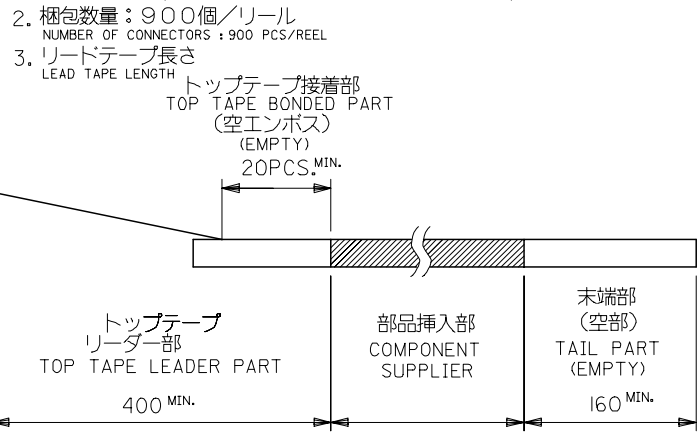
基板穴推奨寸法 (部品実装側)
RECOMMENDED P.C.B LAYOUT (MOUNTING SIDE)

RELEASED EC NO: J2005-0233 DRAWN: MNABE CHKD: KTOJO APPR: NUKITA 2004/08/03 2004/08/03 2004/08/04 DESCRIPTION REV: 0	GENERAL TOLERANCES (UNLESS SPECIFIED)		DIMENSION STYLE MM ONLY		SCALE 5:1	DESIGN UNITS METRIC	THIRD ANGLE PROJECTION		
	10 UNDER	±0.2	DRAWN BY MNABE1		DATE '04/07/20	TITLE 0.5 I/O CONN PLUG HS'G ASSY 14CKT -LEAD FREE-			
	10 OVER 30 UNDER	±0.25	CHECKED BY KTOJO		DATE '04/07/20				
	30 OVER	±0.3	APPROVED BY NUKITA		DATE '04/07/20	MOLEX INCORPORATED			
	ANGULAR	±3 °	MATERIAL NO.		DOCUMENT NO.				
DRAFT WHERE APPLICABLE MUST REMAIN WITHIN DIMENSIONS			SIZE A3		SEE CHART		SD-501014-007		2 OF 2

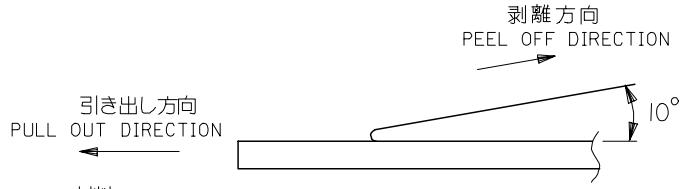
10 9 8 7 6 5 4 3 2 1



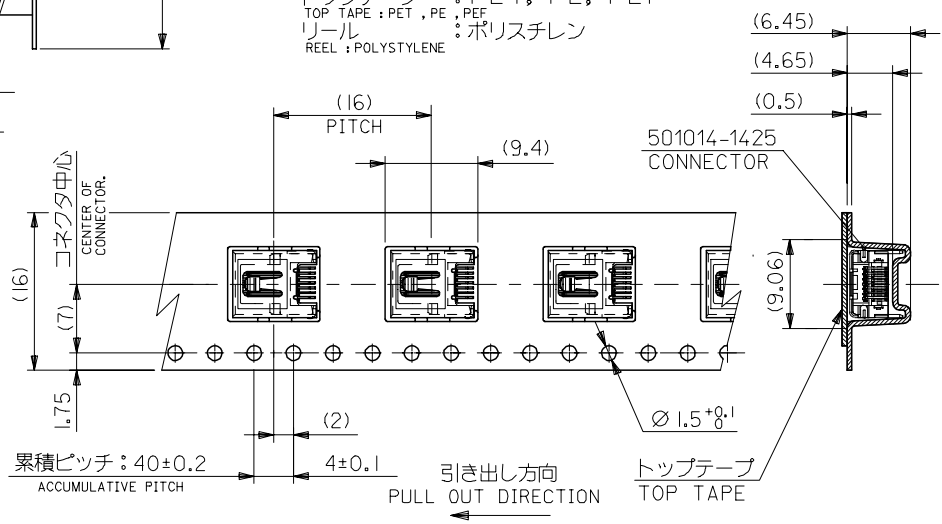
注記
NOTES 1. 製品番号 501014-1425 の詳細寸法については、SD-501014-007 を参照下さい。
IN THE PACKAGE, PART NO. 501014-1425 RE DETAILED DIMENSIONS, SEE SD-501014-007.



4. トップテープの剥離強度: (剥離方向は下図参照)
PEELING OFF FORCE OF TOP TAPE (PEELING DIRECTION AS SHOWN IN FOLLOWING FIG.)
0.1~1.3N (10~130gf)
尚、本規格値は、出荷時に適用。
(但し、輸送時に剥離が発生しない事。)
THIS REQUIREMENT SHOULD BE APPLIED AT SHIPMENT
(PEEL OFF SHOULD NOT BE ALLOWED, DURING TRANSPORTATION)



5. 材料
MATERIAL
キャリアテープ : ポリプロピレン (PP)
CARRIER TAPE : POLYPROPYLENE (PP)
トップテープ : PET, PE, PEF
TOP TAPE : PET, PE, PEF
リール : ポリスチレン
REEL : POLYSTYLENE



6. 本製品は 55768-1494 の鉛フリー品である。
THIS PRODUCT IS LEAD FREE OF 55768-1494.

I4	501014-1425	501014-1474	501014-**7*
CKT.	CONNECTOR	MATERIAL NO.	MODEL NO.

RELEASED EC NO: J2005-0233 DRAWN: MNABE CHKD: KTOJO APPR: NUKITA 2004/08/03 2004/08/03 2004/08/04 DESCRIPTION REV: 0	GENERAL TOLERANCES (UNLESS SPECIFIED)		DIMENSION STYLE MM ONLY		SCALE ---	DESIGN UNITS METRIC	THIRD ANGLE PROJECTION
	10 UNDER	±0.2	DRAWN BY MNABE	DATE '04/07/20	TITLE EMBOSSD TAPE PACKAGE FOR 501014 -LEAD FREE-		
	10 OVER 30 UNDER	±0.25	CHECKED BY KTOJO	DATE '04/07/20			
	30 OVER	±0.3	APPROVED BY NUKITA	DATE '04/07/20	MOLEX INCORPORATED		
	ANGULAR	±3 °	MATERIAL NO.	DOCUMENT NO. SD-501014-008			
DRAFT WHERE APPLICABLE MUST REMAIN WITHIN DIMENSIONS		SIZE A3	THIS DRAWING CONTAINS INFORMATION THAT IS PROPRIETARY TO MOLEX INCORPORATED AND SHOULD NOT BE USED WITHOUT WRITTEN PERMISSION				