

TOROIDAL COIL TRANSFORMER



- Compact size
- High performance
- Low cost

www.DataSheet4U.com

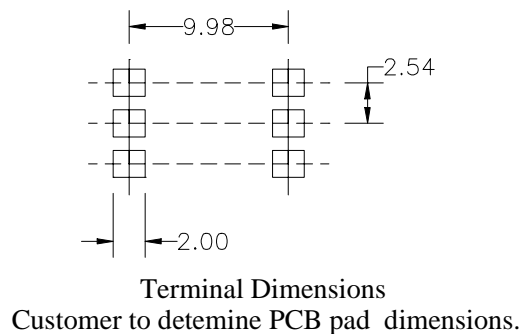
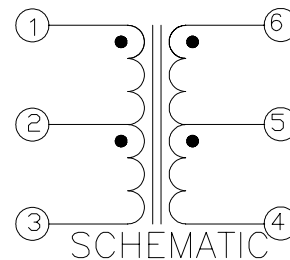
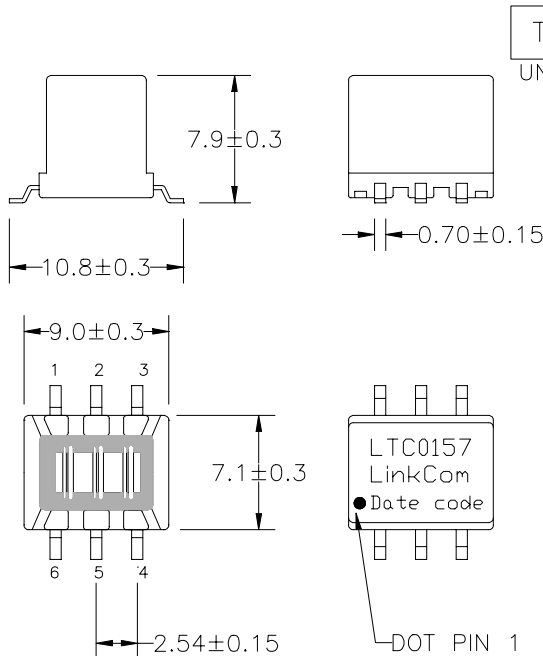
Electrical Specifications @25°C				
TEST	SPECIFICATION	Unit	TOLERANCE	REMARK
INDUCTANCE	250	μ H	MIN	10KHz , 0.1VAC , PIN 1 – 3
INDUCTANCE	250	μ H	MIN	10KHz , 0.1VAC , PIN 6 – 4
INDUCTANCE	0.3	μ H	MAX	10KHz , 0.1VAC , PIN 1 – 6 TIE 3 – 4
D.C.R.	66	mΩ	±20%	(AT25) PIN 1 – 3
D.C.R.	70	mΩ	±20%	(AT25) PIN 6 – 4
HI-POT	2000	VAC	-	1mA , 2 Seconds , Primary to Secondary
TURN RATIO	1:1	-	±2%	PIN (1 – 3) : (6 – 4)

DIMENSIONS [m/m]

SCHEMATICS

LTC0157-00

T- CODE



www.linkcom.com.tw For more information, please contact with:sales@linkcom.com.tw