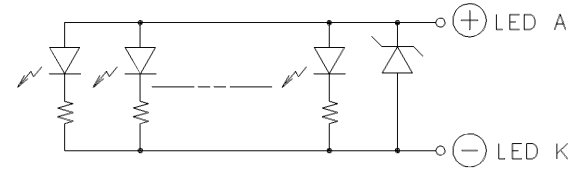
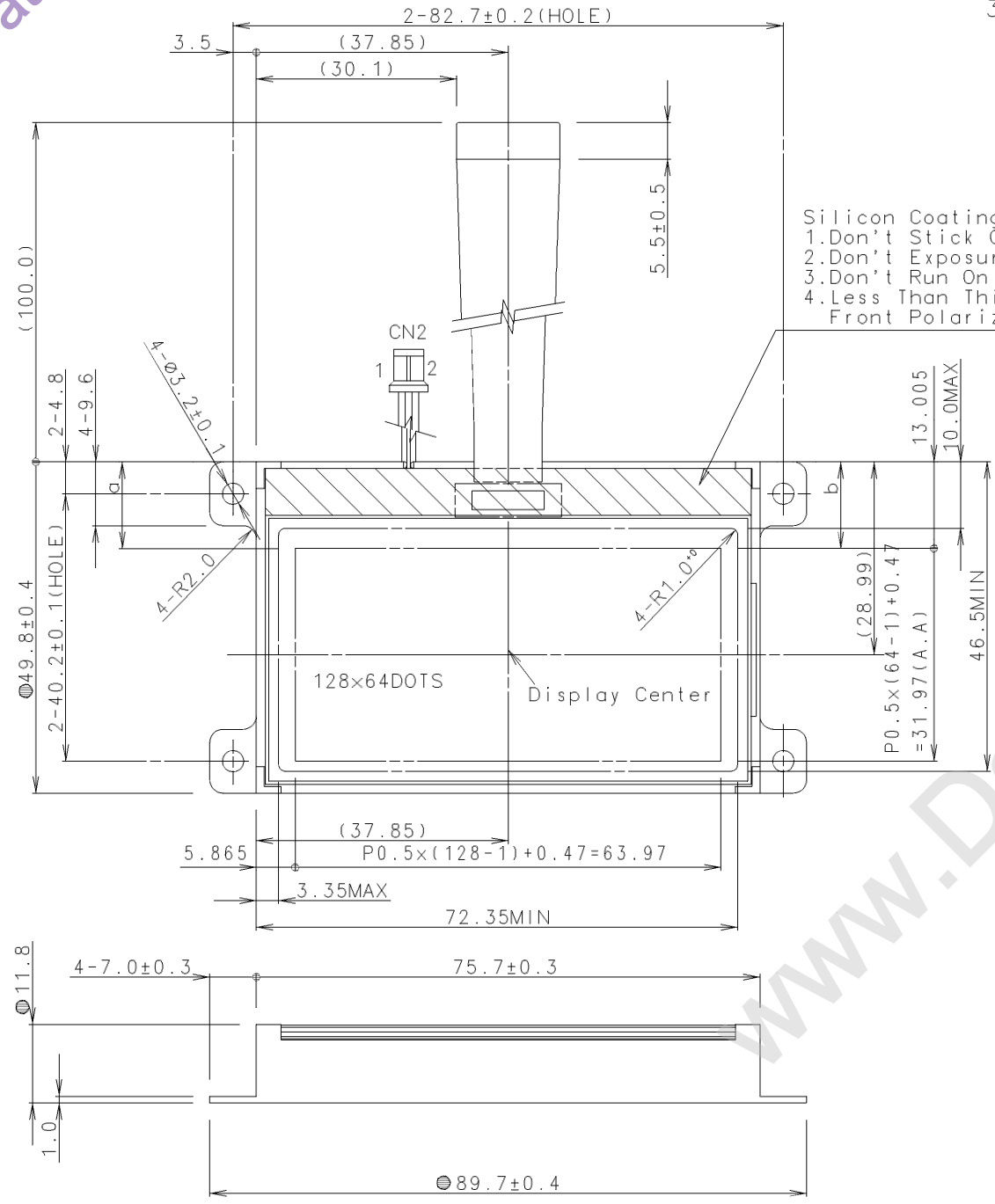


CIRCUIT DIAGRAM

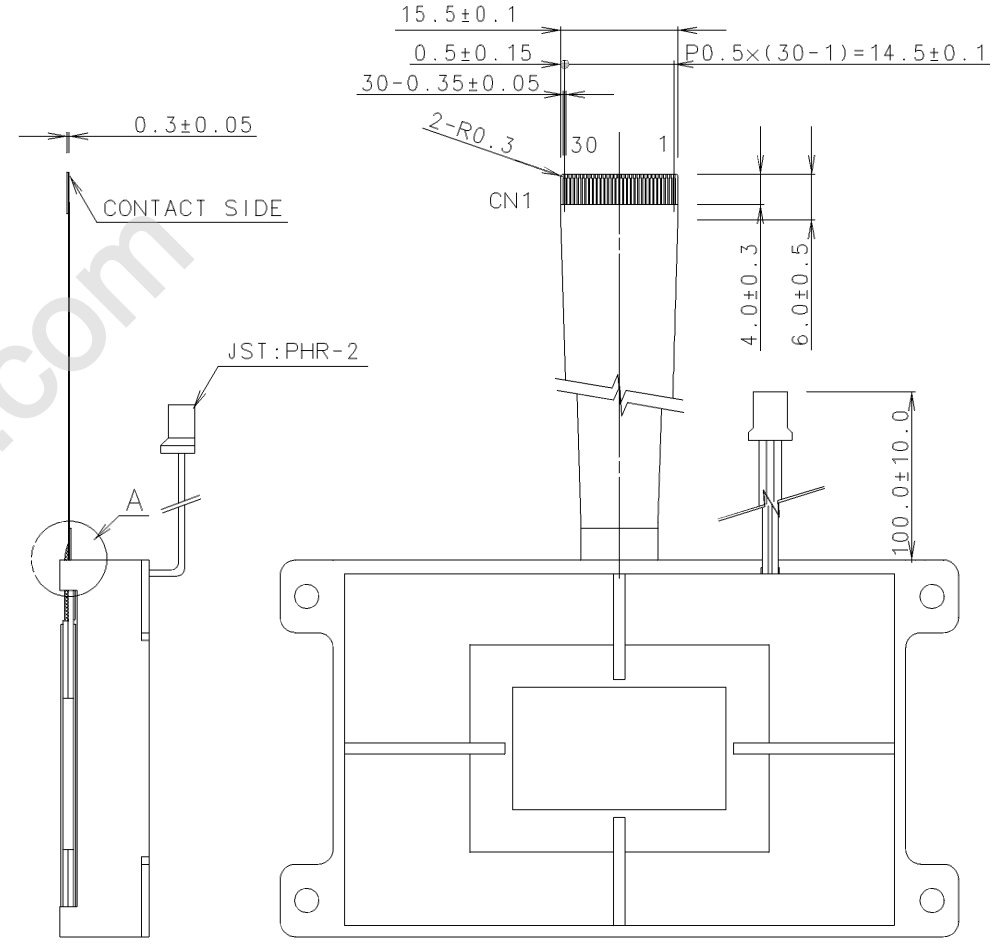
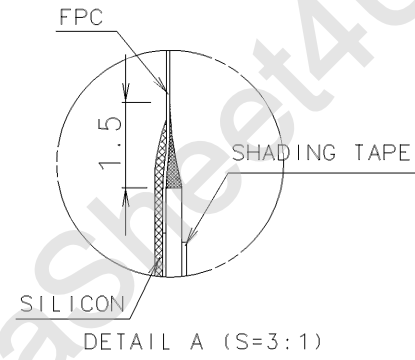


QTY of LED chips
 351852AA/AC : 4chips
 351852AB : 7chips
 351852AG : 12chips

液晶之友 电话: 020-33819057
 Http://www.lcdfriends.com



Silicon Coating Area
 1. Don't Stick Out Of Glass.
 2. Don't Exposure ITO.
 3. Don't Run On Front Polarizer.
 4. Less Than Thickness Of Front Polarizer.

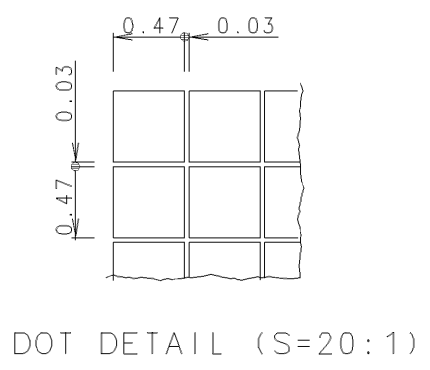


CN1 PIN ASSIGNMENT

No.	SYMBOL	No.	SYMBOL	No.	SYMBOL
1	CS1	11	D5	21	C2+
2	RES	12	D6	22	V1
3	A0	13	D7	23	V2
4	WR	14	VDD	24	V3
5	RD	15	VSS	25	V4
6	D0	16	VOUT	26	V5
7	D1	17	C3-	27	VR
8	D2	18	C1+	28	C86
9	D3	19	C1-	29	P/S
10	D4	20	C2-	30	NC

PIN No.	SYMBOL
1	LED A
2	LED K

- NOTES
 1. Display Skew |a-b| ≤ 0.5
 2. Do not use materials which are prohibited by RoHS.
 3. The dimensions with the mark (●) are controlled as a particular characteristic.



MEASURE	TOLERANCE			THIRD ANGLE PROJECTION	DATE Feb. 25 '05
	A	B	C		
L ≤ 16	±0.1	±0.3	±1	UNIT	APPROVED M. MOTOHASHI
16 < L ≤ 63	±0.2	±0.5	±1.5	mm	CHECKED T. SUZUKI
63 < L ≤ 250	±0.3	±0.8	±2	SCALE 1:1	DRAWN ERASA. TANG
250 < L ≤ 500	±0.5	±1.2	±3		
500 < L	±0.8	±2	±4		
ANGLE	±1°	±5°	±10°		

OPTREX CORPORATION
 TITLE
 DIMENSIONAL OUTLINE
 CODE
 F31852AA base
 DWG NO
 UE-312339