

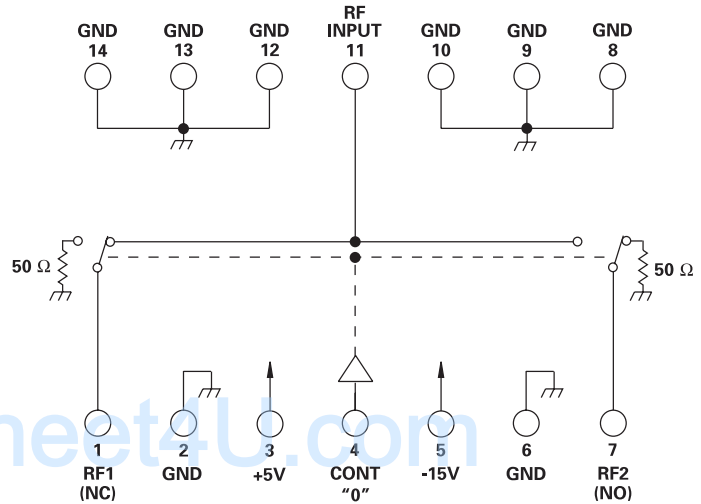
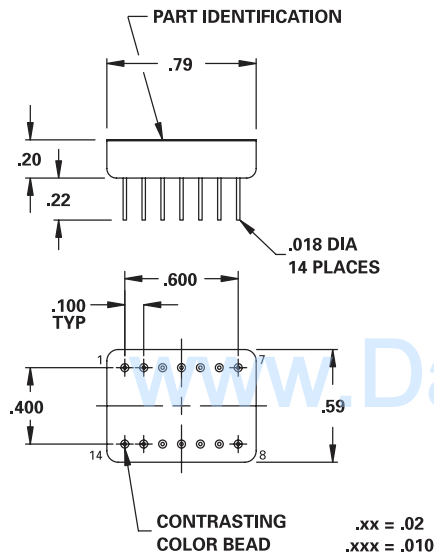
MODEL NUMBER DS0492

1 Watt PIN Diode SP2T

FEATURES

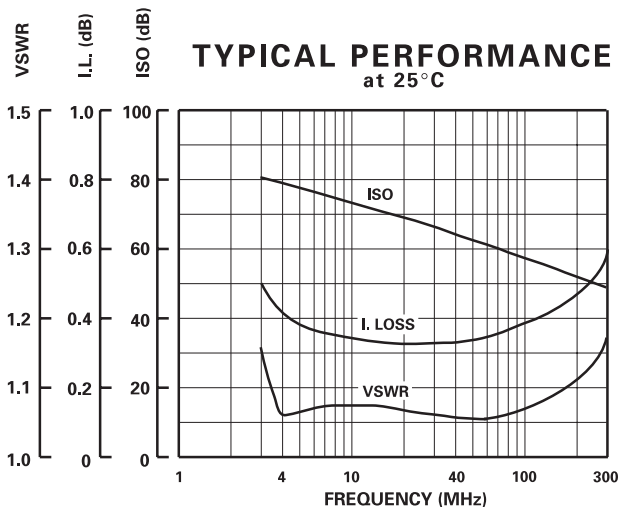
- 5-200 MHz
- 1 Watt CW Thru
- 0.5 dB Insertion Loss
- +43 dBm 3rd Order I.P.
- +33 dBm 0.1 dB Compression
- Non-Reflective
- 14 Pin DIP
- See DS0432 for 200-900 MHz Version

SP2T



GUARANTEED PERFORMANCE

Parameter	Min	Typ	Max	Units	Conditions
Operating Frequency	5		200	MHz	
DC Current		22	30	mA	At +5 VDC Supply
		23	30	mA	At -15 VDC Supply
Control Type		TTL			1 Line Logic "0" = RF IN to RF 1 Logic "1" = RF IN to RF 2
Control Current	High		80	μA	V _{IH} = +2.7V
	Low		-800	μA	V _{IL} = +0.5V
Insertion Loss		0.5	0.8	dB	
Isolation	55	66		dB	5 - 32 MHz
	40	52		dB	32 - 200 MHz
VSWR		1.1/1	1.25/1		
	Termination	1.2/1	1.40/1		
Impedance		50		OHMS	
Switching Speed		11	20	μSEC	50% TTL to 90% / 10% RF
Transition (Rise/Fall) Time		3		μSEC	90% / 10% or 10% / 90%
Switching (Video) Transients		650		mV	Peak Value
Intercept Points	2nd	+104		dBm	5.6 MHz / 9.5 MHz Inputs
	3rd	+43		dBm	5.6 MHz / 7.3 MHz Inputs
RF Power	Operate	+33	+30	dBm	0.1 dB Compression
	No Damage Thru		+33	dBm	
	No Damage Termination		+20	dBm	
Operating Temperature	-55	+25	+125	°C	TA



DAICO Industries

310.507.3242 • FAX 310.507.5701 • www.daico.com