

FEATURES

- Wide Bandwidth 100MHz
- Voltage Gain 0.99
- High Continuous Output Current $\pm 100\text{mA}$
- High Input Impedance 2M Ω m
- Short Circuit Protection
- Compatible with LH0002, HA-5002 and EL2003

APPLICATIONS

- Video Amplifiers
- High-Speed Current (Buffer) Amplifiers
- Signal Separators
- High-Power Drivers for
 - Coaxial cables
 - Transmission lines
 - Data Acquisition Circuits
 - A/D Converters

ORDERING INFORMATION

PACKAGE			OPERATING TEMPERATURE RANGE
HERMETIC TO-99 8-PIN	HERMETIC CERDIP 8-PIN	PLASTIC DIP 8-PIN	
CA2003J	CA2003Z CA2033Z		MIL MIL
CA2003CJ	CA2003CZ CA2033CZ	CA2003CP CA2033CP	IND IND

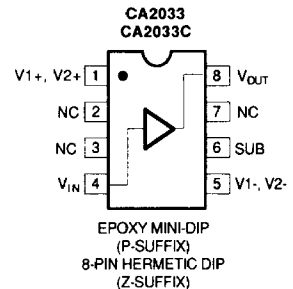
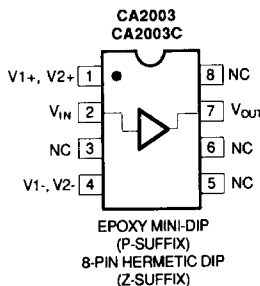
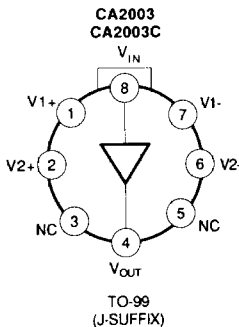
DESCRIPTION

The CA2003/CA2033 are high speed monolithic buffer amplifiers designed for high-performance video circuits and for driving Coaxial and twisted pair cables. The CA2003/CA2033's fast slew rate of 1200 V/ μ s make them extremely useful in applications where the output current of fast op-amps have to be boosted, or where the op-amp has to be isolated from a capacitive load. These buffers are capable of sustaining a 100mA current continuously. An internal output short circuit current limiting feature has been designed in the device such that when the junction temperature reaches 175°C the current is limited to 100mA. Therefore heatsinking will improve the power performance of these devices. If more than 100mA output current is required or if the heatsinking is insufficient for the application, then several buffers can be paralleled together.

The CA2003/CA2033 are manufactured with the di-electric isolation process method in such a way that the NPN and PNP transistors have identical characteristics.

The CA2003 and CA2033 are designed for military temperature ranges, -55°C to 125°C, and are available in TO-99 and 8-pin HERMETIC-DIP. The CA2003C and CA2033C are for operation in the industrial temperature ranges, -25°C to 85°C, and are available in TO-99, 8-pin HERMETIC-DIP and 8-pin PLASTIC MINI-DIP.

Pin Connections (Top View)



ABSOLUTE MAXIMUM RATINGS

Supply Voltage (V_S) $\pm 18V$
Input Voltage $\pm 15V$
Input Current $\pm 50mA$
Output Short Circuit Duration with Heatsink is continuous	
Storage Temperature Range	
J and Z Packages $65^\circ C$ to $+150^\circ C$
P Package $-65^\circ C$ to $+125^\circ C$

Operating Temperature Range	
CA2003/2033 $-55^\circ C$ to $+125^\circ C$
CA2003C/2033C $-25^\circ C$ to $85^\circ C$
Lead Temperature (soldering, 60 sec.) $300^\circ C$
DICE Junction Temperature (T_j)	
J and Z Packages $175^\circ C$
P Package $150^\circ C$

ELECTRICAL CHARACTERISTICS $V_S = \pm 15V$, $V_S = 50\Omega$, $T_A = 25^\circ C$ for CA2003/CA2033 and CA2003C/CA2033C

PARAMETER	SYMBOL	CONDITIONS	MIN.	TYP.	MAX.	UNITS
Offset Voltage	V_{OS}	$V_{IN} = 0V$, $R_L = \text{inf.}$	-30	5	30	mV
Input Current	I_{IN}	$V_{IN} = 0V$, $R_L = \text{inf.}$	-25	5	25	μA
Input Resistance	R_{IN}	$V_{IN} = \pm 12V$, $R_L = 100\Omega$	1	2		M Ω
Voltage Gain	A_{V1}	$V_{IN} = \pm 12V$, $R_L = 1k\Omega$	0.98	0.99		V/V
Voltage Gain	A_{V2}	$V_{IN} = \pm 12V$, $R_L = 100\Omega$	0.83	0.90		V/V
Voltage Gain	A_{V3}	$V_{IN} = \pm 6V$, $R_L = 50\Omega$	0.82	0.89		V/V
Output Voltage Swing	V_O	$V_{IN} = \pm 14V$, $R_L = 1k\Omega$	± 13	± 13.5		V
Output Voltage Swing	V_O	$V_{IN} = \pm 12V$, $R_L = 100\Omega$	± 10.5	± 11.3		V
Slew Rate	SR	$V_{IN} = \pm 10V$, $R_L = 1k\Omega$ (Note 1)	600	1200		V/ μs
Slew Rate	SR	$V_{IN} = \pm 5V$, $R_L = 50\Omega$ (Note 2)	200	400		V/ μs
Output Current	I_O	$V_{IN} = \pm 12V$ (Note 3)	± 105	± 230		mA
Output Resistance	R_O	$V_{IN} = \pm 2V$, $R_L = 50\Omega$		5	10	Ω
Distortion @ 1kHz	THD	$V_{IN} = 4V_{rms}$, $R_L = \text{inf.}$		0.2	1	%
Supply Current	I_S	$V_{IN} = 0V$, $R_L = \text{inf.}$		10	15	mA
Power Supply Rejection Ratio	PSSR	$V_{IN} = 0V$, $R_L = \text{inf.}$ (Note 4)	60	80		dB

ELECTRICAL CHARACTERISTICS $V_S = \pm 15V$, $V_S = 50\Omega$, $T_A = -55^\circ C$ to $+125^\circ C$ for CA2003/CA2033, $T_A = -25^\circ C$ to $85^\circ C$ for CA2003C/CA2033C

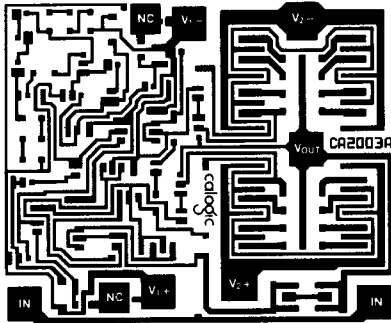
PARAMETER	SYMBOL	CONDITIONS	MIN.	CA2003		UNITS
				TYP.	MAX.	
Offset Voltage	V_{OS}	$V_{IN} = 0V$, $R_L = \text{inf.}$	-40		40	mV
Input Current	I_{IN}	$V_{IN} = 0V$, $R_L = \text{inf.}$	-50		50	μA
Input Resistance	R_{IN}	$V_{IN} = \pm 12V$, $R_L = 100\Omega$	0.1			M Ω
Voltage Gain	A_{V1}	$V_{IN} = \pm 12V$, $R_L = 1k\Omega$		0.97		V/V
Voltage Gain	A_{V2}	$V_{IN} = \pm 12V$, $R_L = 100\Omega$		0.80		V/V
Voltage Gain	A_{V3}	$V_{IN} = \pm 6V$, $R_L = 50\Omega$		0.79		V/V
Output Voltage Swing	V_O	$V_{IN} = \pm 14V$, $R_L = 1k\Omega$	± 12.5			V
Output Voltage Swing	V_O	$V_{IN} = \pm 12V$, $R_L = 100\Omega$	± 10			V
Slew Rate	SR	$V_{IN} = \pm 5V$, $R_L = 50\Omega$ (Note 2)	200	400		V/ μs
Output Current	I_O	$V_{IN} = \pm 12V$ (Note 3)	± 100			mA
Output Resistance	R_O				12	Ω
Supply Current	I_S	$V_{IN} = 0V$, $R_L = \text{inf.}$			20	mA
Power Supply Rejection Ratio	PSSR	$V_{IN} = 0V$, $R_L = \text{inf.}$ (Note 4)	50			dB

NOTES:

1. Slew rate is measured between $V_{OUT} = +5V$ and $-5V$.
2. Slew rate is measured between $V_{OUT} = +2.5V$ and $-2.5V$.

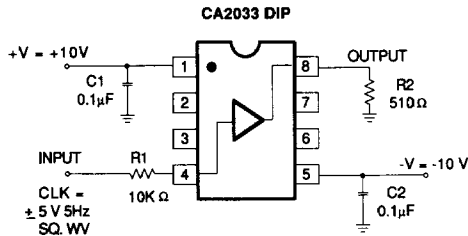
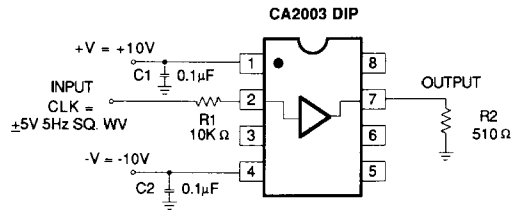
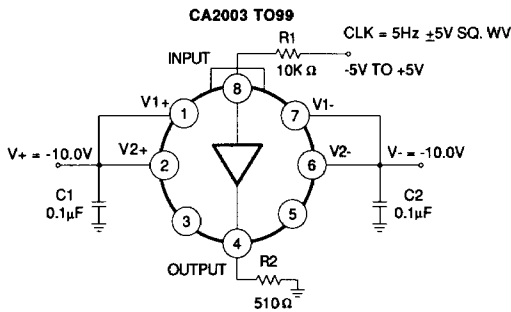
3. Force input to $+12V$ output $+10V$ for $+I_{OUT}$ and $V_{IN} = -12V$, $V_{OUT} = -10V$ for $-I_{OUT}$.
4. $V_S = \pm 4.5V$ to $\pm 10V$.

Die Layout



DIE SIZE:
0.057x0.048 inch, 2736 sq. mils
(1.448x1.219mm, 1.765 sq. mm)

Burn-In Circuits



Simplified Schematic

