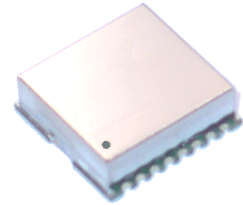


Features

- +5 dBm Output Level at 50 MHz
- Channel Step Size : 100 kHz
- 2nd Harmonic : < -20 dBc
- Spurious Level : < -70 dBc
- Lock Time : < 10 ms
- 17 mA Current Consumption

Description

The plerow™ PLL synthesizer module was designed for use in wireless and wireline systems in a wide range of frequency from 50 MHz to 6 GHz. ASB's PLL provides exceptionally low spurious and phase noise performance with fast locking time and low current consumption. All products are available in a surface-mount type package.



Specifications

| Parameter | Unit | Min. | Typical | Max. |
|---------------------------|--------|-----------------------|---------|------|
| Frequency Range | MHz | 45 | 50 | 55 |
| Output Power | dBm | 4 | 5 | 6 |
| Supply Voltage | V | 4.7 | 5.0 | 5.3 |
| Current Consumption | mA | | 17 | 30 |
| Channel Step Size | kHz | | 100 | |
| 2 nd Harmonics | dBc | | -23 | -20 |
| Spurious Level | dBc | | -78 | -70 |
| Lock Time | ms | | 3 | 10 |
| Reference Frequency | MHz | | 10 | |
| Reference Input Level | dBm | -5 | 0 | 5 |
| Phase Noise (C / N) | | | | |
| @ 10 kHz | dBc/Hz | -112 | -110 | -107 |
| @ 100 kHz | dBc/Hz | -124 | -121 | -118 |
| Output Impedance | Ω | | 50 | |
| Operating Temp. Range | °C | -40 | 25 | 85 |
| Package Type & Size | mm | SMT, 19.0W×19.0L×5.8H | | |

1) Measurement conditions are as follows: T = 25°C, V_{CC} = 5 V, Freq. = 50 MHz, 50 ohm system.

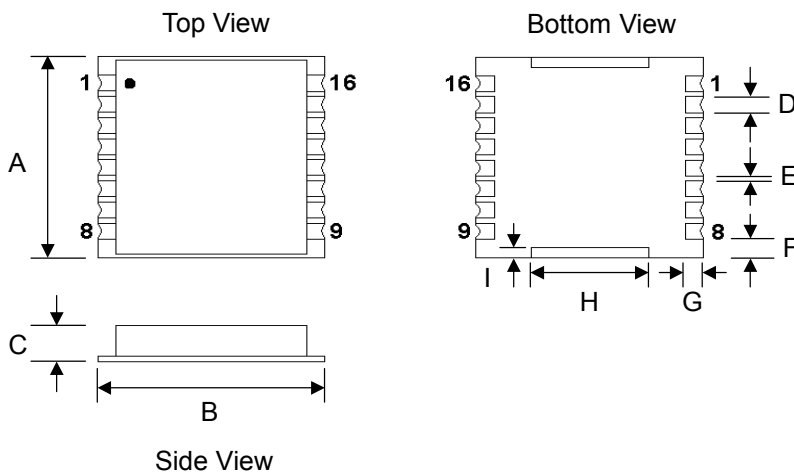
More Information

Website: www.asb.co.kr
E-mail: sales@asb.co.kr

Tel: (82) 42-528-7220
Fax: (82) 42-528-7222

ASB, Inc., 4th Fl. Venture Town Bldg, KT HRDC, 367-17 Goijeong-Dong, Seo-Gu, Daejeon, 302-716, Korea

Outline Drawing



| Pin Configuration | | Dimension (mm) | |
|-------------------|-------------|------------------|------|
| 1 | CLOCK | A | 19.0 |
| 2 | DATA | B | 19.0 |
| 3 | ENABLE | C | 5.8 |
| 4 | OSC IN | D | 1.5 |
| 9 | VCC (VCO) | E | 0.5 |
| 13 | RF OUT | F | 1.75 |
| 15 | VCP (PLL) | G | 1.35 |
| 16 | LOCK DETECT | H | 15.0 |
| Others | Ground | I | 0.9 |
| | | Tolerance: ± 0.2 | |