

ISDN S Interface Hybrid

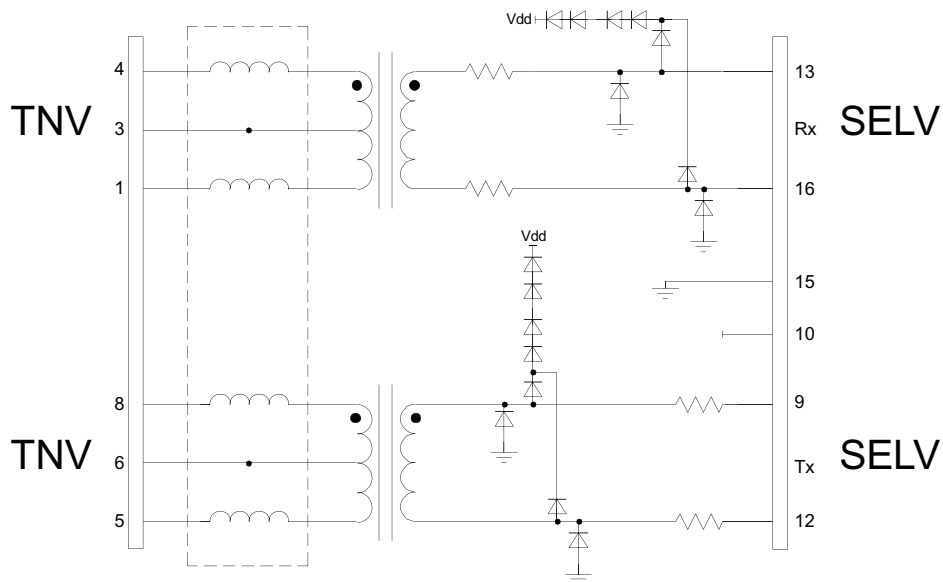
APC14103e

ELECTRICAL SPECIFICATIONS @ 25°C OPERATING TEMPERATURE 0°C TO 70°C

Turns Ratio +/-5%	Primary Inductance mH min	Leakage Inductance uH max	Primary DCR OHMS +/- 30%	Secondary DCR OHMS +/- 30%	Choke	
					Inductance per line mH nom	DCR per line OHMS
1CT:2.5	20	10	2.4	3.5	0.04	0.4

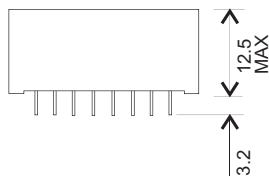
NOTES: ISOLATION PRI:SEC 1500VRMS
PART USED WITH MOTOROLA MC145574IC (MCK 143454)
PROVIDES ISOLATION OF SELV AND TNV3 CIRCUITS IN ACCORDANCE WITH IEC 60950, EN 60950, UL 60950, ACA TS001 AND AS/NZS 60950
END SYSTEM COMPLIANCE TO IEC 60950, EN 60950, UL 60950, ACA TS001 AND AS/NZS 60950 IS THE RESPONSIBILITY OF THE INSTALLER

SCHEMATIC

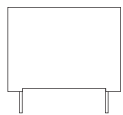


MECHANICAL

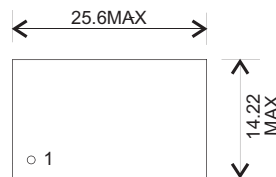
SIDE ELEVATION



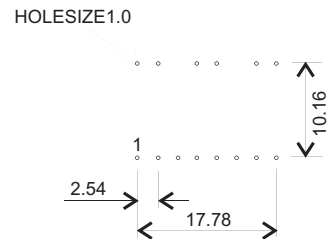
END ELEVATION



PLANVIEW



RECOMMENDED PCB LAYOUT



NOTES: NOT TO SCALE
TOLERANCE +/- 0.2MM
ALL DIMENSIONS IN MM

DOT ON TOP SURFACE INDICATES PIN 1
PIN DIAMETER 0.75MM MAX
PINS 11 AND 14 REMOVED