

HIGH SPEED PIN DRIVER

FEATURES

- Tristateable output
- Dual inputs
- Wide input voltage range
- Short-circuit protected

APPLICATIONS

- Mixed signal test systems
- Instrumentation

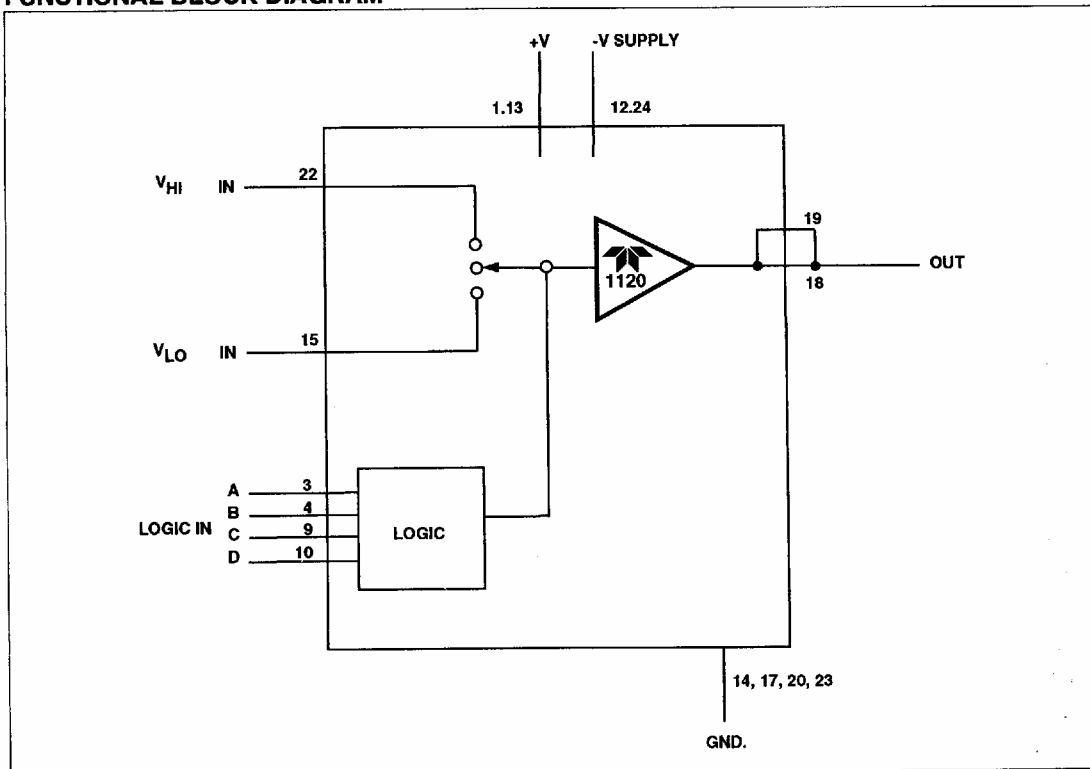
GENERAL DESCRIPTION

The 1120 is a high speed pin driver for use in mixed signal test systems. Typical swing is 20ns rise/fall time for 10V step. This device features two logic-selectable inputs, both having unity gain. The output, with short-circuit current limiting, can also be configured for a tristate condition for testing I/O devices.

The 1120 pin driver is available in a 24-pin ceramic package and is specified for operation over the 0°C to +70°C temperature range.

6

FUNCTIONAL BLOCK DIAGRAM



1120

PIN CONFIGURATION

Pin No.	Designation	Pin No.	Designation
1	+24V Supply	24	-24V Supply
2	NC	23	GND
3	INPUT A	22	V _{HI} INPUT
4	INPUT B	21	NC
5	NC	20	GND
6	NC	19	OUT
7	NC	18	OUT
8	NC	17	GND
9	INPUT C	16	NC
10	INPUT D	15	V _{LO} INPUT
11	NC	14	GND
12	-24V Supply	13	+24V Supply

NC = No internal connection

ELECTRICAL CHARACTERISTICS: T_C = +25°C, ±V_{CC} = ±24V, unless otherwise indicated.

Parameter	Min	Max	Unit
V _{HI} Offset 1,2,3	0.4	0.7	V
V _{LO} Offset 1,2,3	0.4	0.7	V
V _{HI} Clamp Current	—	20	mA
V _{LO} Clamp Current	—	20	mA
V _{HI} Output Current	30	—	mA
V _{LO} Output Current	30	—	mA
Tristate Impedance	15	—	Mohms
+ICC	—	50	mA
-ICC	—	50	mA

LOGIC DIAGRAM:

Input A	Input B	Input C	Input D	Output
L	H	L	H	V _{HI} IN
H	L	H	L	V _{LO} IN
H	L	L	H	TRI STATE
L	H	H	L	NOT ALLOWED

H = ECL '1', L = ECL '0'