

## FEATURES

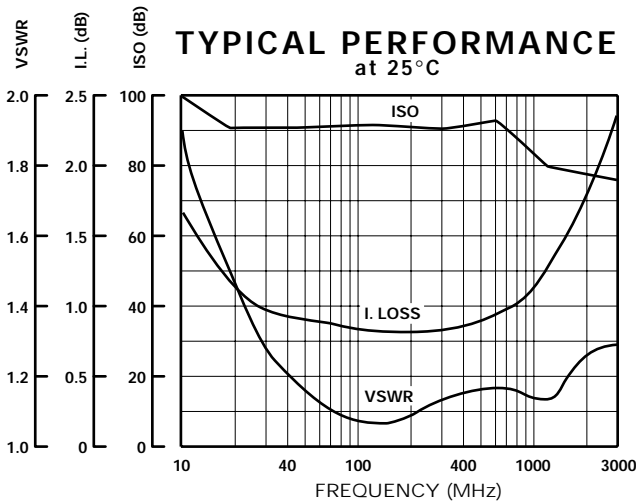
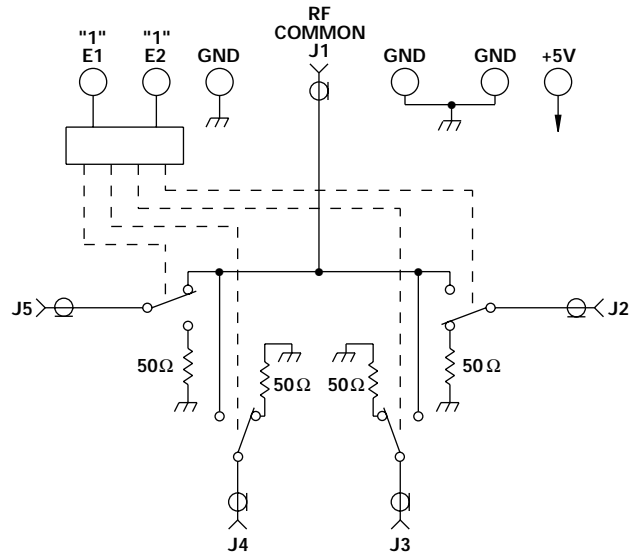
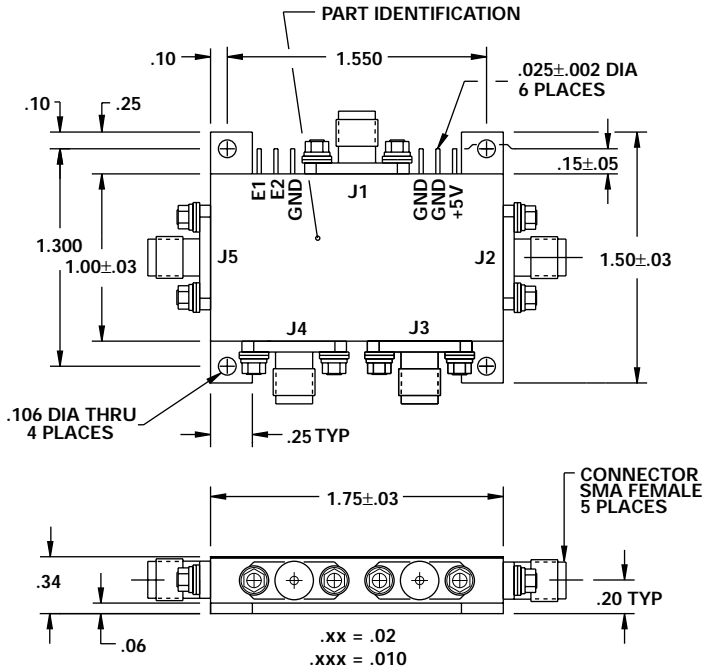
- 100 - 2000 MHz
- 80 dB Isolation
- TTL BCD Control
- Non-Reflective
- Replaceable SMA Connectors



MODEL NO.  
CDS0670

PIN Diode SP4T

SP4T



LOGIC TABLE		
E2	E1	RF PATH
0	0	J1-J2
0	1	J1-J3
1	0	J1-J4
1	1	J1-J5

## GUARANTEED PERFORMANCE

Parameter	Min	Typ	Max	Units	Conditions	
Operating Frequency	100		2000	MHz		
DC Current		30	40	mA	At +5 VDC Supply	
Control Type		TTL			2 Line, See Logic Chart	
Control Current		High Low	1 -0.2	20 -0.4	μA mA	V <sub>IH</sub> = +2.7V V <sub>IL</sub> = +0.5V
Insertion Loss			1.3 1.8	1.8 2.5	dB	100 - 1000 MHz 1000 - 2000 MHz
Isolation	80 65	87 75			dB	100 - 1000 MHz 1000 - 2000 MHz
VSWR		Thru Termination	1.17/1 1.26/1	1.35/1 1.35/1		
Impedance			50	OHMS		
Switching Speed			210	500	nSEC	50% TTL to 90% / 10% RF
Transition (Rise/Fall) Time			30		nSEC	90% / 10% or 10% / 90% RF
Switching (Video) Transients			600		mV	Peak Value
Intercept Points		2nd 3rd	+67 +39		dBm	350 MHz / 100 MHz 175 MHz / 100 MHz
RF Power		Operate No Damage	+15 +25	+10 +20 +27	dBm	100 - 500 MHz 500 - 2000 MHz
Operating Temperature	-55	+25	+125	°C	TA	