

This document was generated on 04/27/2010

PLEASE CHECK WWW.MOLEX.COM FOR LATEST PART INFORMATION

Part Number: [0399200311](#)
Status: **Active**
Description: 15.00mm (.591") Beau™ Eurostyle™, Fixed Mount PCB Terminal Block, High Voltage, High Power 115.0A, 11 Circuits

Documents:

[3D Model](#) [RoHS Certificate of Compliance \(PDF\)](#)
[Drawing \(PDF\)](#)

Agency Certification

UL E48521

General

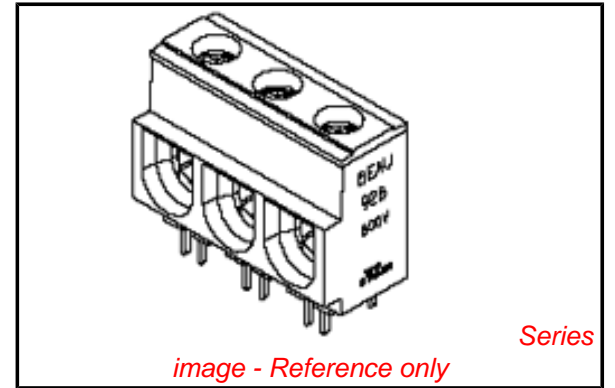
| | |
|-----------------------------|------------------------|
| Product Family | Terminal Blocks |
| Series | 39920 |
| Application | Wire-to-Board |
| Component Type | One Piece |
| Product Literature Order No | USA-199 |
| Product Name | Eurostyle™ Fixed Mount |
| Type | Euro Block |

Physical

| | |
|--------------------------------|------------------|
| Circuits (Loaded) | 11 |
| Color - Resin | Black |
| Entry Angle | Horizontal |
| Flammability | 94V-0 |
| Lock to Mating Part | None |
| Material - Metal | Brass |
| Material - Plating Mating | Tin |
| Material - Plating Termination | Tin |
| Material - Resin | Polyester |
| Number of Rows | 1 |
| Orientation | Vertical |
| PC Tail Length (in) | 0.250 In |
| PC Tail Length (mm) | 6.35 mm |
| PCB Retention | Yes |
| Panel Mount | No |
| Pitch - Mating Interface (in) | 0.591 In |
| Pitch - Mating Interface (mm) | 15.00 mm |
| Pitch - Term. Interface (in) | 0.591 In |
| Pitch - Term. Interface (mm) | 15.00 mm |
| Plating min: Mating (µin) | 150 |
| Plating min: Mating (µm) | 3.75 |
| Plating min: Termination (µin) | 150 |
| Plating min: Termination (µm) | 3.75 |
| Polarized to Mating Part | Yes |
| Shrouded | Fully |
| Stackable | No |
| Surface Mount Compatible (SMC) | No |
| Temperature Range - Operating | 130°C |
| Termination Interface: Style | Through Hole |
| Wire Size AWG | 1, 2, 3, 4, 6, 8 |
| Wire Size mm² | 10.0 - 35 |

Electrical

Current - Maximum per Contact 11A



EU RoHS

ELV and RoHS Compliant
REACH SVHC
 Not Reviewed
Halogen-Free Status
 Not Reviewed

China RoHS



Need more information on product environmental compliance?

Email productcompliance@molex.com
 For a multiple part number RoHS Certificate of Compliance, [click here](#)

Please visit the [Contact Us](#) section for any non-product compliance questions.

Search Parts in this Series

[39920Series](#)

Mates With

N/A

Voltage - Maximum

600V

www.D9192166141.com

Solder Process Data

Lead-free Process Capability

Wave Capable (TH only)

Material Info

Old Part Number

92B0511

Reference - Drawing Numbers

Sales Drawing

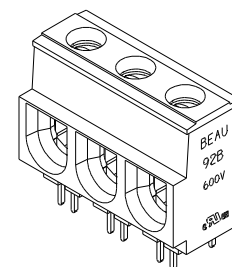
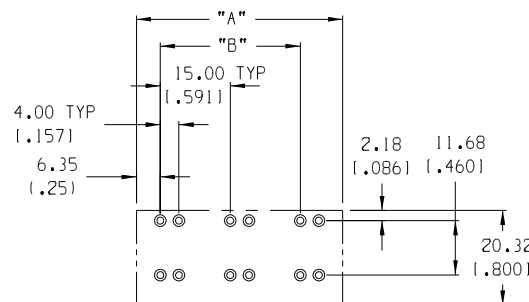
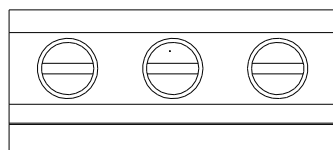
SD-39920-006

This document was generated on 04/27/2010

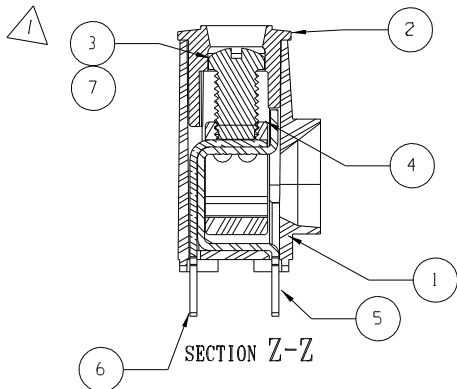
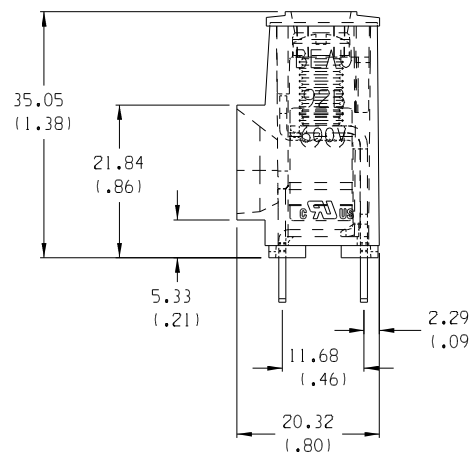
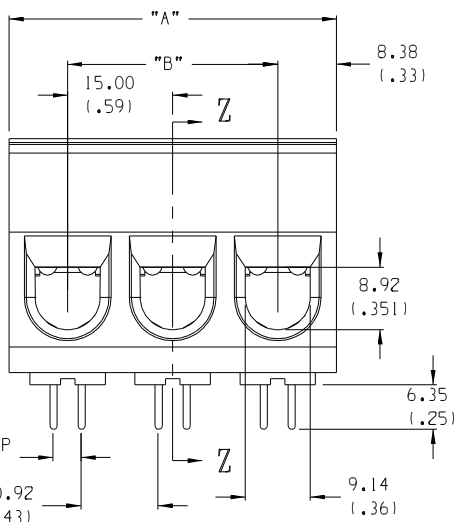
PLEASE CHECK WWW.MOLEX.COM FOR LATEST PART INFORMATION

LENGTH TABLE

| MATERIAL NO. (STANDARD) | MATERIAL NO. (-56 OPT.) | NO. OF CIRCUITS | "B" | "A" |
|-------------------------|-------------------------|-----------------|---------------|------------|
| F 399200302 | 399200602 | 02 | 15.0 (.591) | 32 (1.25) |
| 399200303 | 399200603 | 03 | 30.0 (1.181) | 47 (1.84) |
| 399200304 | 399200604 | 04 | 45.0 (1.772) | 62 (2.43) |
| 399200305 | 399200605 | 05 | 60.0 (2.362) | 77 (3.02) |
| 399200306 | 399200606 | 06 | 75.0 (2.952) | 92 (3.61) |
| 399200307 | 399200607 | 07 | 90.0 (3.543) | 107 (4.20) |
| 399200308 | 399200608 | 08 | 105.0 (4.134) | 122 (4.79) |
| E 399200309 | 399200609 | 09 | 120.0 (4.724) | 137 (5.38) |
| 399200310 | 399200610 | 10 | 135.0 (5.315) | 152 (5.97) |
| 399200311 | 399200611 | 11 | 150.0 (5.906) | 167 (6.57) |
| 399200312 | 399200612 | 12 | 165.0 (6.496) | 182 (7.16) |



RECOMMENDED PTH PATTERN
 Ø1.52 (.060) MINIMUM FINISHED HOLE
 SCALE 1:1



NOTES:

- MATERIAL: SEE TABLE.
- FINISHES: SEE TABLE.
- PRODUCT SPECIFICATION: NOT REQUIRED.
- PACKAGING: NOT REQUIRED.
- MATES WITH: NONE.
- ALL FEATURES ARE TYPICAL UNLESS OTHERWISE NOTED.
- "XX" REFERS TO THE NUMBER OF CIRCUIT POSITIONS
- DESIGNED TO MEET NEC & UL 1059 CLASS C 600 VOLTS
- MULTIPLE TAIL DESIGN FOR LOWER PCB CURRENT DENSITIES
- PROVEN PRESSURE CLAMP STYLE CONNECTION
- AVAILABLE IN VARIOUS LENGTHS
- WINDOW ACCEPTS 133/23 STRANDED #2 AWG, #3 AWG AND 19 STRAND #1 AWG

| ITEM | QTY. | DESCRIPTION | MATERIAL | FINISH |
|------|------|--|-----------------|--------|
| 7 | | "XX" SCREW, 1/4-28, SLOTTED, ST. STEEL | STAINLESS STEEL | TIN |
| 6 | | "XX" OUTER TERMINAL | COPPER | TIN |
| 5 | | "XX" INNER TERMINAL | COPPER | TIN |
| 4 | | "XX" CAGE | BRASS | NICKEL |
| 3 | | "XX" SCREW, 1/4-28, SLOTTED, BRONZE | BRONZE | TIN |
| 2 | 1 | COVER | THERMOPLASTIC | BLACK |
| 1 | 1 | BODY | THERMOPLASTIC | BLACK |

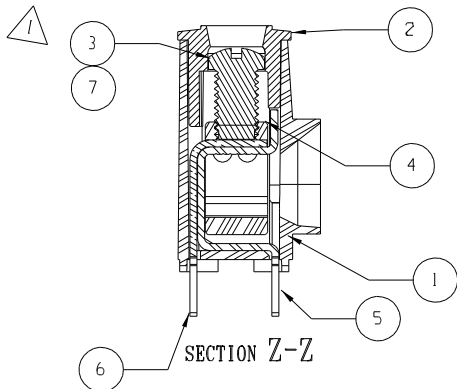
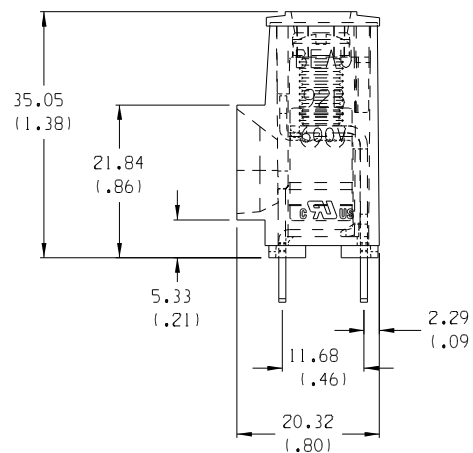
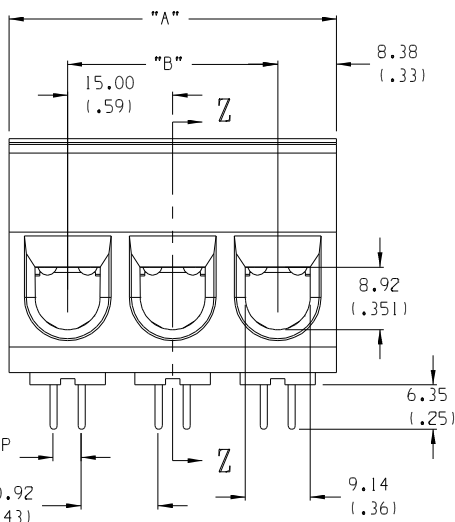
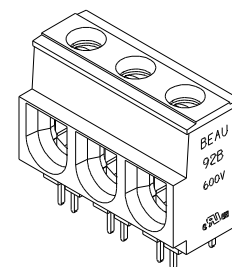
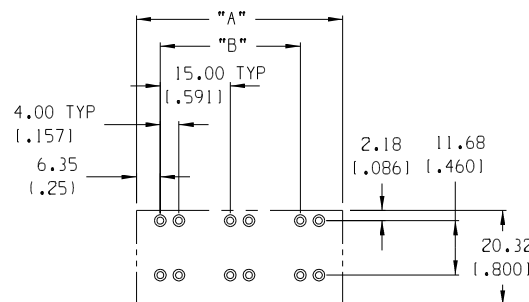
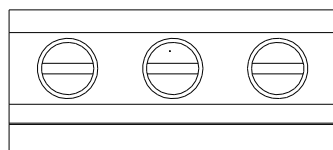


| | | |
|-------------------|-------------|-----------------|
| EC NO. 4261 | DESCRIPTION | QUALITY SYMBOLS |
| DRAWN: CY 10-7-05 | MAJOR | |
| CHK: [] | CRITICAL | |
| APPR: [] | C | |
| REV | | |

| | | | | |
|--|-------------|--|--|--------------------------|
| GENERAL TOLERANCES: (UNLESS SPECIFIED) | | SCALE 1.5:1 | DESIGN UNITS | THIRD ANGLE PROJECTION |
| 4 PLACES | mm ±.0015 | DRAWN BY & DATE | mm <input type="checkbox"/> INCH <input checked="" type="checkbox"/> | SHT |
| 3 PLACES | ±.038 ±.005 | AMP 4/11/02 | mm ONLY | REV |
| 2 PLACES | ±.13 ±.01 | CHECKED BY & DATE | | REVISE ON CAD ONLY |
| 1 PLACE | ±.3 | GHR 6/11/02 | | |
| ANGULAR: ±2° | | APPROVED BY & DATE | TITLE: SR, BTS, #1-#8 AWG, 600V | |
| DRAFT WHERE APPLICABLE MUST REMAIN WITHIN DIMENSIONS | | L.ROTHAUS 6/11/02 | MOLEX INCORPORATED | |
| | | CAD FILENAME 92B05XX | MATERIAL NO. SEE CHART | DRAWING NO. SD-39920-006 |
| | | THIS DRAWING CONTAINS INFORMATION THAT IS PROPRIETARY TO MOLEX INCORPORATED AND SHOULD NOT BE USED WITHOUT WRITTEN PERMISSION. | | SHEET NO. 1 OF 1 |
| | | | | SIZE B |

LENGTH TABLE

| MATERIAL NO. (STANDARD) | MATERIAL NO. (-56 OPT.) | NO. OF CIRCUITS | "B" | "A" |
|-------------------------|-------------------------|-----------------|---------------|------------|
| F 399200302 | 399200602 | 02 | 15.0 (.591) | 32 (1.25) |
| 399200303 | 399200603 | 03 | 30.0 (1.181) | 47 (1.84) |
| 399200304 | 399200604 | 04 | 45.0 (1.772) | 62 (2.43) |
| 399200305 | 399200605 | 05 | 60.0 (2.362) | 77 (3.02) |
| 399200306 | 399200606 | 06 | 75.0 (2.952) | 92 (3.61) |
| 399200307 | 399200607 | 07 | 90.0 (3.543) | 107 (4.20) |
| 399200308 | 399200608 | 08 | 105.0 (4.134) | 122 (4.79) |
| E 399200309 | 399200609 | 09 | 120.0 (4.724) | 137 (5.38) |
| 399200310 | 399200610 | 10 | 135.0 (5.315) | 152 (5.97) |
| 399200311 | 399200611 | 11 | 150.0 (5.906) | 167 (6.57) |
| 399200312 | 399200612 | 12 | 165.0 (6.496) | 182 (7.16) |



NOTES:

- MATERIAL: SEE TABLE.
- FINISHES: SEE TABLE.
- PRODUCT SPECIFICATION: NOT REQUIRED.
- PACKAGING: NOT REQUIRED.
- MATES WITH: NONE.
- ALL FEATURES ARE TYPICAL UNLESS OTHERWISE NOTED.
- "XX" REFERS TO THE NUMBER OF CIRCUIT POSITIONS
- DESIGNED TO MEET NEC & UL 1059 CLASS C 600 VOLTS
- MULTIPLE TAIL DESIGN FOR LOWER PCB CURRENT DENSITIES
- PROVEN PRESSURE CLAMP STYLE CONNECTION
- AVAILABLE IN VARIOUS LENGTHS
- WINDOW ACCEPTS 133/23 STRANDED #2 AWG, #3 AWG AND 19 STRAND #1 AWG

| ITEM | QTY. | DESCRIPTION | MATERIAL | FINISH |
|------|------|--|-----------------|--------|
| 7 | | "XX" SCREW, 1/4-28, SLOTTED, ST. STEEL | STAINLESS STEEL | TIN |
| 6 | | "XX" OUTER TERMINAL | COPPER | TIN |
| 5 | | "XX" INNER TERMINAL | COPPER | TIN |
| 4 | | "XX" CAGE | BRASS | NICKEL |
| 3 | | "XX" SCREW, 1/4-28, SLOTTED, BRONZE | BRONZE | TIN |
| 2 | 1 | COVER | THERMOPLASTIC | BLACK |
| 1 | 1 | BODY | THERMOPLASTIC | BLACK |

| | |
|-------------------|-------------|
| EC NO. 4261 | DESCRIPTION |
| DRAWN: CY 10-7-05 | MAJOR |
| CHK: [] | CRITICAL |
| APPR: [] | C |
| REV | |

| GENERAL TOLERANCES: (UNLESS SPECIFIED) | |
|--|-------------|
| 4 PLACES | ±.0015 |
| 3 PLACES | ±.038 ±.005 |
| 2 PLACES | ±.13 ±.01 |
| 1 PLACE | ±.3 |
| ANGULAR: ±2° | |
| DRAFT WHERE APPLICABLE MUST REMAIN WITHIN DIMENSIONS | |

| | |
|--------------------|-------------------|
| SCALE 1.5:1 | DESIGN UNITS |
| DRAWN BY & DATE | AMP 4/11/02 |
| CHECKED BY & DATE | GHR 6/11/02 |
| APPROVED BY & DATE | L.ROTHAUS 6/11/02 |
| CAD FILENAME | 92B05XX |

| | | | |
|--|-------------------------------|--------------------|--------|
| DIMENSIONS: | | SHT | REV |
| <input checked="" type="checkbox"/> mm | <input type="checkbox"/> INCH | | |
| <input type="checkbox"/> mm | <input type="checkbox"/> INCH | | |
| THIRD ANGLE PROJECTION | | REVISE ON CAD ONLY | |
| TITLE: SR, BTS, #1-#8 AWG, 600V | | | |
| MOLEX INCORPORATED | | | |
| MATERIAL NO. | DRAWING NO. | SHEET NO. | |
| SEE CHART | SD-39920-006 | 1 OF 1 | |
| THIS DRAWING CONTAINS INFORMATION THAT IS PROPRIETARY TO MOLEX INCORPORATED AND SHOULD NOT BE USED WITHOUT WRITTEN PERMISSION. | | | SIZE B |