

**Power Relay 430**

- 1 pole 16 A or 2 pole 10 A in NO, CO and NC versions
- DC- and AC-coil
- 4 kV / 8 mm coil-contact
- PCB mounting or quick connect terminals
- Mounting brackets or snap mounting
- Product in accordance to IEC60335-1

**Applications**

Motors, electro valves



F0257-B

**Approvals**

VDE REG.-Nr. C820, **us** E214025  
 Technical data of approved types on request

Contact data	1-pole	2-pole
Contact configuration	1CO, 1NO, 1NC	2CO, 2NO, 2NC
Contact set	single contact	single contact
Type of interruption	micro disconnection	micro disconnection
Rated voltage / max. switching voltage AC	250 / 400 VAC	
Rated current	16 A	10 A
Maximum breaking capacity AC	4000 VA	2500 VA
Limiting making capacity, max 4 s, duty factor 10%	25 A	15 A
Contact material	AgCu <sub>3</sub> , AgCdO	AgCu <sub>3</sub> , AgCdO
Rated frequency of operation with / without load	15 / 600 min <sup>-1</sup>	

**Contact ratings**

Type	Contact	Load	Ambient temp. [°C]	Cycles
<b>IEC 61810</b>				
0430 .6 .. 03	CO	16 A, 250 VAC, cosφ=1	70°C	50x10 <sup>3</sup>
0430 .6 .. 13 & 11	NO	10 A, 250 VAC, cosφ=1	105°C	50x10 <sup>3</sup>
0430 .7 .. 04 & 14	2 NO	10 A, 250 VAC, cosφ=1	70°C	50x10 <sup>3</sup>
0430 .7 .. 06 & 16	2 CO	10 A, 250 VAC, cosφ=1	70°C	50x10 <sup>3</sup>
0430 .7 .. 04	2 NO	6 A, 250 VAC, cosφ=1	105°C	50x10 <sup>3</sup>
0430 .7 .. 06	2 CO	6 A, 250 VAC, cosφ=1	105°C	50x10 <sup>3</sup>

**Coil data**

Rated coil voltage range DC coil	6...110 VDC
AC coil	6...240 VAC
Operative range to IEC 61810	2

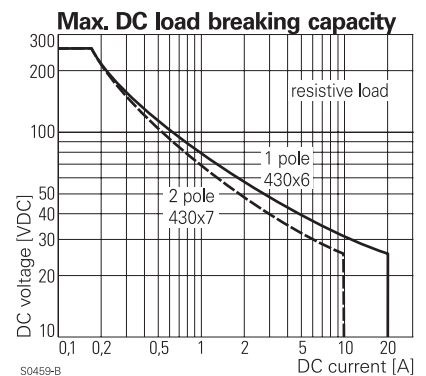
**Coil versions, DC-coil**

Coil code	Rated voltage VDC	Operate voltage VDC	Release voltage VDC	Coil resistance Ohm	Rated coil power mW
09	12	7.8	0.6	145±10%	993
10	24	15.6	1.2	580±10%	993
11	48	31.2	2.4	2200±10%	1047
13	110	71.5	5.5	13000±10%	931

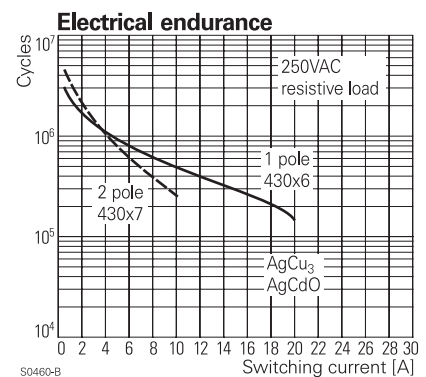
**Coil versions, AC-coil 50Hz**

Coil code	Rated voltage VAC	Operate voltage VAC	Release voltage VAC	Coil resistance Ohm	Rated coil power VA
03	24	18.0	3.6	200±10%	1.8
05	60	45.0	9.0	1250±10%	1.8
06	110	83.0	16.0	4500±10%	1.8
07	230	170.0	35.0	17500±10%	1.8

All figures are given for coil without preenergization, at ambient temperature +23°C  
 Other coil voltages on request



S0469-B



S0460-B

**Power Relay 430 (Continued)**

**Insulation**

Dielectric strength coil-contact circuit	4000 V <sub>rms</sub>
open contact circuit	1000 V <sub>rms</sub>
Clearance / creepage coil-contact circuit	≥ 8 / 8 mm
adjacent contact circuits	≥ 3 / 4 mm
Material group of insulation parts	IIIa
Tracking index of relay base	PTI 250
Insulation to IEC 61810-1	
Type of insulation coil-contact circuit	reinforced
open contact circuit	micro disconnection
adjacent contact circuits	basic
Rated insulation voltage	250 V
Pollution degree	3
Rated voltage system	230 / 400 V
Overvoltage category	III

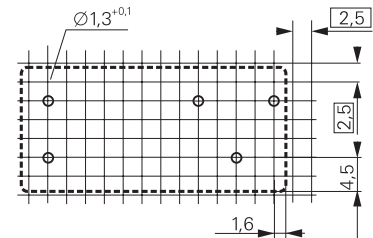
**Other data**

Mechanical endurance	> 2.5x10 <sup>5</sup> cycles
Material	
RoHS - Directive 2002/95/EC	compliant as per product date code 0349
Environment	
Ambient temperature range	-20...+70°C
Category of protection	RTI - dust protected
Processing	
Mounting	pcb, mounting brackets, snap mounting, DIN rail
Resistance to soldering heat	270°C / 10 s
Relay weight	32 g
Packaging unit	50 pcs

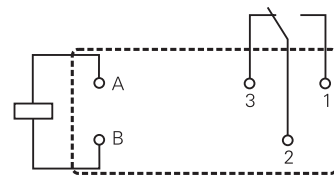
**PCB layout / terminal assignment**

Bottom view on solder pins

PCB version, 1 CO contact

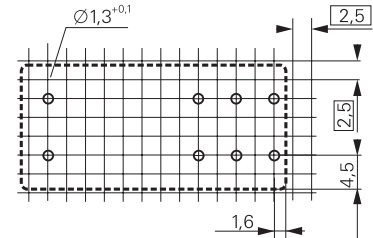


S0448-AA

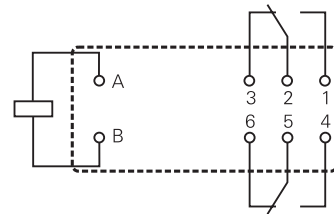


S0448-AB

PCB version, 2 CO contacts



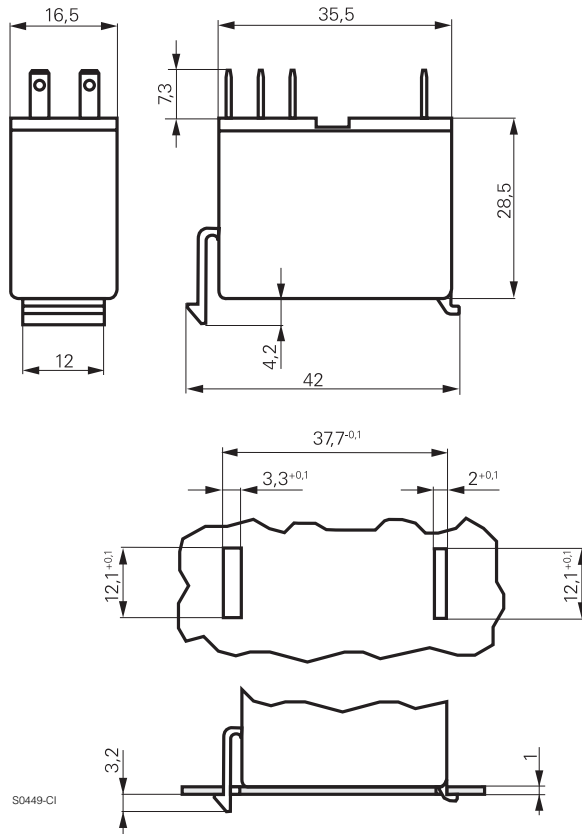
S0448-AC



S0448-AD

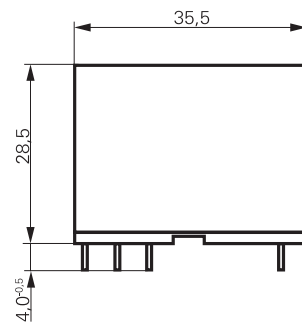
**Dimensions**

Snap mounting



S0449-CI

**Dimensions**



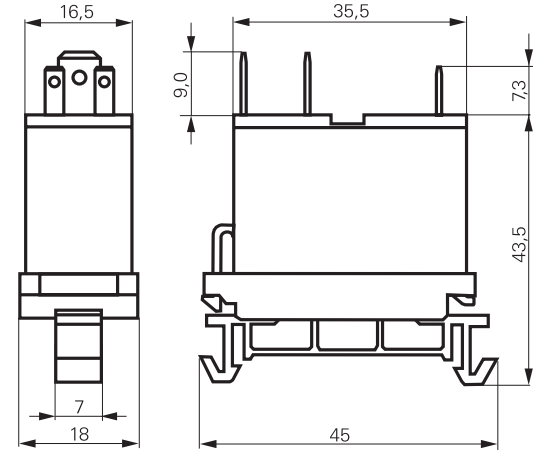
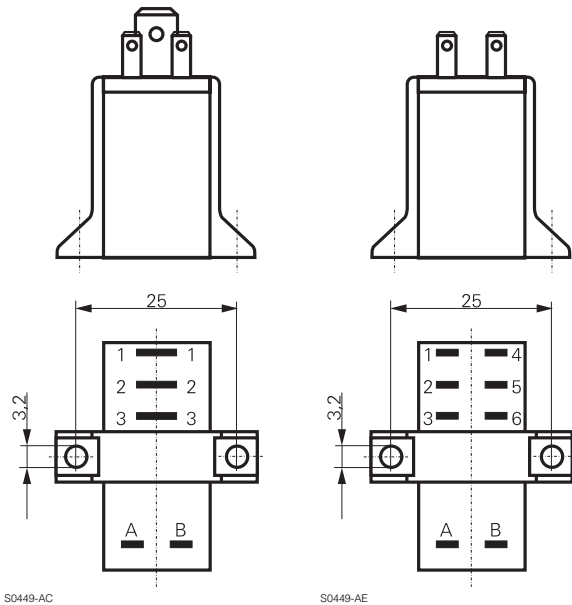
S0449-CA

**Power Relay 430 (Continued)**

**Dimensions**

Mounting brackets

DIN-rail mount



S0449-CK

<b>Product key</b>	Typical product key		<b>0430</b>	<b>1</b>	<b>6</b>	<b>09</b>	<b>1</b>	<b>1</b>	<b>00</b>
<b>Type</b>	Power relay 430								
<b>0430</b>									
<b>Mounting</b>	PCB version		snap mounting						
<b>1</b>	mounting brackets		5		DIN-rail mounting				
<b>Version</b>	1 pole		7		2 pole				
<b>6</b>									
<b>Coil</b>	Coil code: please refer to coil versions table								
<b>Contact material</b>	AgCu 3		1		AgCdO				
<b>0</b>									
<b>Contact configuration</b>	1 NO contact (1 form A)		4		2 NO contacts (2 form A)				
<b>1</b>									
<b>2</b>	1 NC contact (1 form B)		5		2 NC contacts (2 form B)				
<b>3</b>	1 CO contact (1 form C)		6		2 CO contacts (2 form C)				
<b>Version</b>	standard								
<b>00</b>									

Other types on request

Product key	Version	Cont. material	Cont. configuration	Coil	Coil	Part number
0430 16 0911 00	mounting brackets	AgCdO	1 NO contact	DC-coil	12 VDC	8-1415430-1
0430 16 1011 00					24 VDC	8-1415430-3
0430 16 1013 00					1 CO contact	8-1415430-5
0430 17 0916 00					2 CO contacts	1415404-1
0430 17 1016 00					24 VDC	1415404-4
0430 26 0713 00	1 CO contact	AC-coil	220 VAC	2-1415404-3		
0430 27 0716 00	2 CO contacts			2-1415404-8		