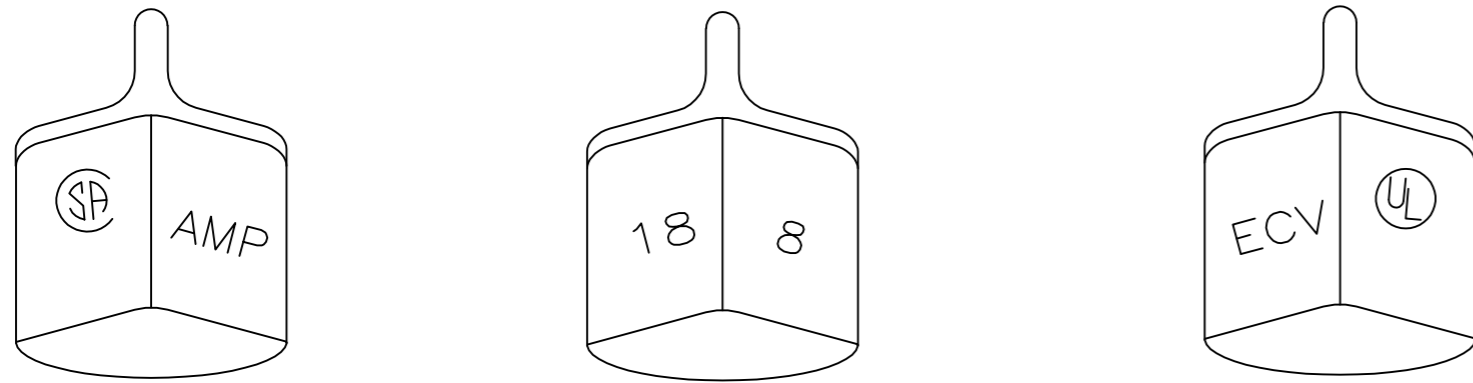


THIS DRAWING IS UNPUBLISHED. RELEASED FOR PUBLICATION
 © COPYRIGHT BY TYCO ELECTRONICS CORPORATION. ALL RIGHTS RESERVED.

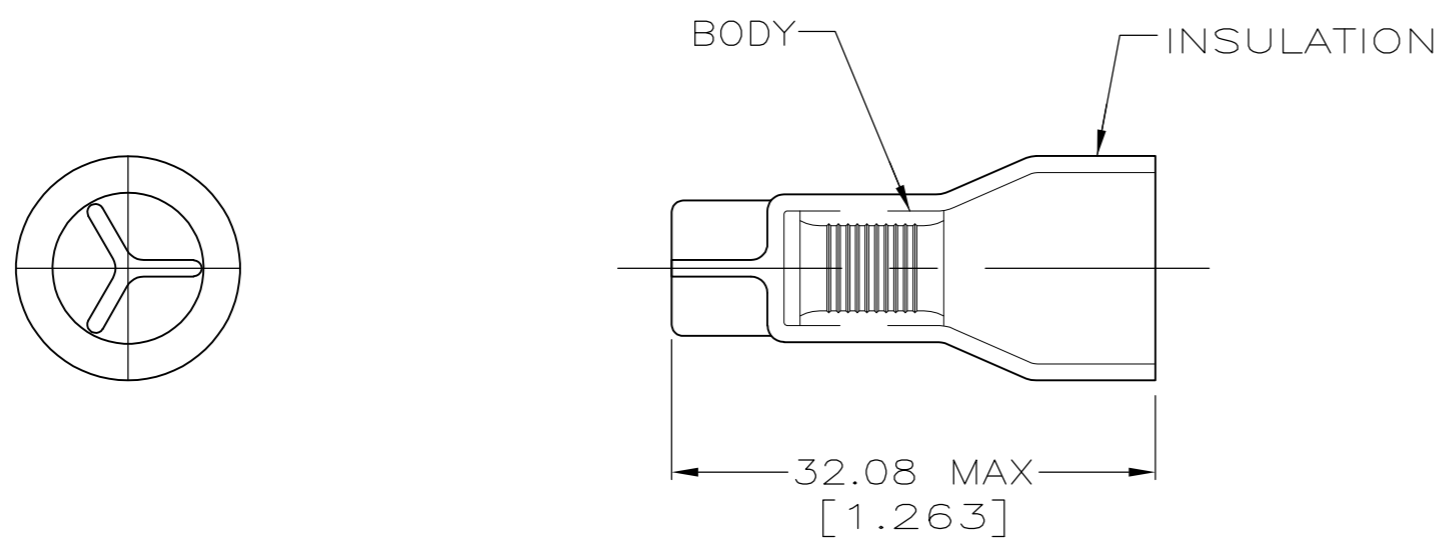
LOC	DIST	REVISIONS					
		P	LTR	DESCRIPTION	DATE	DWN	APVD
G	14		E	REVISED PER ECR-08-016717	08JUL08	HMR	TM

- 1 FOR 12.70 [.500] MAX WIRE INSULATION DIA
- △ 2 MATERIAL: BODY: COPPER PER ASTM B152
INSULATION: PVC
COLOR: BLACK
- △ 3 FINISH: BODY: TIN PLATE PER ASTM B-545



DETAIL OF STAMPING

AMP WIRE RANGE	Listed	LR7189 Certified
18-8 AWG SOLID OR STRANDED	18-8 AWG SOLID OR STRANDED	18-8 AWG SOLID OR STRANDED



-	LOOSE PIECE	55808-1
QTY	DESCRIPTION	PART NO

AMP INCORPORATED
CUSTOMER SERVICE SYSTEMS

FOR ADDITIONAL PRODUCT INFORMATION OR COPIES OF DRAWINGS AND TECHNICAL DOCUMENTS
 PRODUCT INFORMATION CENTER
 1-800-522-6752

FOR APPLICATION TOOLING INFORMATION
 TOOLING ASSISTANCE CENTER
 1-800-722-1111

FOR ORDER ENTRY
 1-800-526-5142

MAX RECOMMENDED OPERATING TEMPERATURE:
 105°C MAX

VOLTAGE RATING:
 600V MAX (BUILDING & WIRING)
 1000V MAX (FIXTURES & SIGNS)

CIRCULAR MIL AREA:
 5.23-10.55mm² [10320-20620]
 SOLID OR STRANDED

THIS DRAWING IS A CONTROLLED DOCUMENT.

DIMENSIONS: INCHES	TOLERANCES UNLESS OTHERWISE SPECIFIED:
	0 PLC ± -
	1 PLC ± -
	2 PLC ± 0.20[.008]
	3 PLC ± -
	4 PLC ± -
	ANGLES ± -

MATERIAL: △ 2 FINISH: △ 3

DWN G KRUPER 12/92	Tyco Electronics Corporation Harrisburg, Pa 17105-3608
CHK R HERSEY 1/93	
APVD M ELLIS 1/93	
PRODUCT SPEC	NAME SPLICE, WIRE, CLOSED END
APPLICATION SPEC	SIZE A3
WEIGHT -	CAGE CODE 00779
CUSTOMER DRAWING	DRAWING NO C-55808
	RESTRICTED TO -
	SCALE 2:1
	SHEET 1 OF 1
	REV E