

Type 520C 85 °C Long-life, Inverter Grade, Aluminum

Ultra-Ripple, Long-life, Inverter Grade, 85 °C

www.DataSheet4U.com



Best Value High Ripple Type

Type 520C is the 85 °C version of the Type 550C Inverter-Grade capacitor. It delivers the ripple-current capability and exceptional life needed for motor-drive bus capacitors and approaches the performance of the 550C at lower cost. It is rated for 8000 hours life with full ripple current, rated voltage, 85 °C and 100 lfm airflow while mounted horizontally. Horizontal mounting is more severe than vertical mounting. The extended cathode foil of the 520C assures heat flow from the capacitor element to the can in all orientations.

Highlights

- 8,000 hour load life
- Ripple current to 55 amps
- ESRs to 8 mΩ
- Best value high ripple current
- Thermal-Pak™ extended cathode construction

Specifications

Operating Temperature:	-40 °C to +85 °C
Rated Voltage:	200 to 500 Vdc
Capacitance:	84 µF to 39,000 µF
Capacitance Tolerance:	-10% +50%
Leakage Current:	≤3√CV (µA) 5 mA max., 5 minutes
Cold Impedence:	-20 °C multiple of 25 °C Z ≤3
Ripple Current Multipliers:	Ambient Temperature

45 °C	55 °C	65 °C	75 °C	85 °C
1.80	1.63	1.45	1.25	1.00

Frequency

	50 Hz	60 Hz	120 Hz	360 Hz	1 kHz	5 kHz	10 kHz & up
1 3/8" & 1 3/4" Diameters							
200 to 350 V	0.76	0.81	1.00	1.24	1.36	1.43	1.44
400 to 500 Vx	0.76	0.81	1.00	1.24	1.37	1.44	1.45
2" & 2 1/2" Diameters							
200 to 350 V	0.78	0.83	1.00	1.20	1.29	1.34	1.35
400 to 500 V	0.77	0.82	1.00	1.22	1.33	1.39	1.40
3" & 3 1/2" Diameters							
200 to 350 V	0.84	0.88	1.00	1.12	1.17	1.20	1.20
400 to 500 V	0.79	0.84	1.00	1.18	1.26	1.31	1.32



Complies with the EU Directive 2002/95/EC requirement restricting the use of Lead (Pb), Mercury (Hg), Cadmium (Cd), Hexavalent chromium (Cr(VI)), PolyBrominated Biphenyls (PBB) and PolyBrominated Diphenyl Ethers (PBDE).

EIA Ripple Life: 8,000 h at full load @ +85 °C per EIA IS-749

ΔCapacitance ±20%

ESR 200% of limit

DCL 100% of limit

Life Test: 10,000 h at rated voltage and 85 °C

Δ Capacitance: ±20%

ESR: 200% of limit

DCL: 100% of limit

Shelf Life: 500 h @ 85 °C, capacitance, ESR and DCL, initial requirements

Vibration: 10 to 55 Hz, 0.06" and 10 g max, 1.5 h ea. of 2 axis

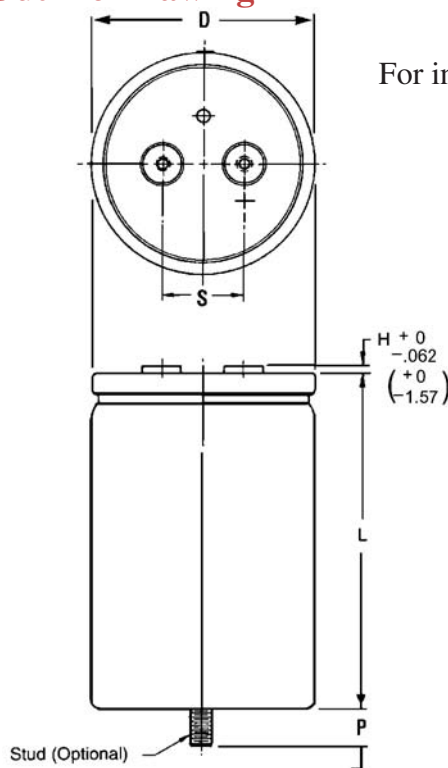
Type 520C 85 °C Long-life, Inverter Grade, Aluminum

Outline Drawing

Case Dimensions

Uninsulated Case Dimensions

For insulated case, add 0.024"(0.610 mm) to "D" and 0.030"(0.762 mm) to height.



NOTE: With the stud-mount feature, a thermally-conductive disk can be inserted in the bottom flush with the outer insulating sleeve. This reduces the thermal resistance through the can bottom by 0.3 °C/W. Can Style P.

Case Code	Diam. (D)		Length (L)		Terminals (S)		Typical Weight	
	±0.031 Inches	±.78 mm	±.062 Inches	±1.57 mm	±0.015 Inches	±.38 mm	oz	g
AK	1.375	34.93	1.625	41.28	0.50	12.70	1.9	54
AA	1.375	34.93	2.125	53.98	0.50	12.70	2.0	57
AH	1.375	34.93	2.625	66.68	0.50	12.70	2.7	77
AB	1.375	34.93	3.125	79.38	0.50	12.70	3.3	94
AJ	1.375	34.93	3.625	92.08	0.50	12.70	3.8	108
AC	1.375	34.93	4.125	104.78	0.50	12.70	4.4	125
AD	1.375	34.93	4.625	117.48	0.50	12.70	5.1	145
AE	1.375	34.93	5.125	130.18	0.50	12.70	6.8	193
AF	1.375	34.93	5.625	142.88	0.50	12.70	8.1	230
EA	1.750	44.45	2.125	53.98	0.75	19.05	2.7	76
EH	1.750	44.45	2.625	66.68	0.75	19.05	3.8	108
EB	1.750	44.45	3.125	79.38	0.75	19.05	5.1	145
EJ	1.750	44.45	3.625	92.08	0.75	19.05	6.8	193
EC	1.750	44.45	4.125	104.78	0.75	19.05	8.1	230
ED	1.750	44.45	4.625	117.48	0.75	19.05	9.0	255
EE	1.750	44.45	5.125	130.18	0.75	19.05	9.5	269
EF	1.750	44.45	5.625	142.88	0.75	19.05	10.5	298
BA	2.000	50.80	2.125	53.98	0.88	22.23	5.4	153
BH	2.000	50.80	2.625	66.68	0.88	22.23	6.1	173
BB	2.000	50.80	3.125	79.38	0.88	22.23	6.8	193
BJ	2.000	50.80	3.625	92.08	0.88	22.23	8.2	232
BC	2.000	50.80	4.125	104.78	0.88	22.23	9.5	269
BD	2.000	50.80	4.625	117.48	0.88	22.23	10.3	292
BE	2.000	50.80	5.125	130.18	0.88	22.23	10.7	303
BF	2.000	50.80	5.625	142.88	0.88	22.23	13.0	369
CH	2.500	63.50	2.625	66.68	1.13	28.58	9.2	261
CB	2.500	63.50	3.125	79.38	1.13	28.58	10.4	295
CJ	2.500	63.50	3.625	92.08	1.13	28.58	12.7	361
CC	2.500	63.50	4.125	104.78	1.13	28.58	15.0	425
CD	2.500	63.50	4.625	117.48	1.13	28.58	17.2	488
CE	2.500	63.50	5.125	130.18	1.13	28.58	19.3	547
CF	2.500	63.50	5.625	142.88	1.13	28.58	21.4	607
DB	3.000	76.20	3.125	79.38	1.25	31.75	16.7	473
DJ	3.000	76.20	3.625	92.08	1.25	31.75	20.0	567
DC	3.000	76.20	4.125	104.78	1.25	31.75	22.2	629
DD	3.000	76.20	4.625	117.48	1.25	31.75	25.5	723
DE	3.000	76.20	5.125	130.18	1.25	31.75	30.0	850
DF	3.000	76.20	5.625	142.88	1.25	31.75	31.9	904
DP	3.000	76.20	5.875	149.23	1.25	31.75	32.8	931
DN	3.000	76.20	7.625	193.68	1.25	31.75	39.5	1119
DG	3.000	76.20	8.625	219.08	1.25	31.75	43.3	1227
FC	3.500	88.90	4.125	104.78	1.25	31.75	30.0	850
FD	3.500	88.90	4.625	117.48	1.25	31.75	34.4	976
FE	3.500	88.90	5.125	130.18	1.25	31.75	40.5	1148
FF	3.500	88.90	5.625	142.88	1.25	31.75	43.1	1221
FP	3.500	88.90	5.875	149.23	1.25	31.75	44.3	1257
FN	3.500	88.90	7.625	193.68	1.25	31.75	53.3	1512
FG	3.500	88.90	8.625	219.08	1.25	31.75	58.5	1658

Stud Dimensions

Case Diam.	Stud Thread	P ± 0.039" (±1.0 mm)
1.38	M8	0.470" (12.0)
1.75	M8	0.470" (12.0)
2.00	M12	0.630" (16.0)
2.50	M12	0.630" (16.0)
3.00	M12	0.630" (16.0)
3.50	M12	0.630" (16.0)

Terminal Dimensions

Terminal Style	For Case Diameters	Code	Post Diameter		H max		Thread	min Full Thread		Torque	
			in	mm	in	mm		in	mm	in-lb	N-m
Low Post	1½ to 3	A	0.314	8.0	0.094	2.4	10-32	0.218	5.5	25	2.82
High Post	1½ to 3	B	0.314	8.0	0.281	7.1	10-32	0.375	9.5	25	2.82
High Current, Low	2½ to 3½	D	0.684	17.4	0.125	3.2	¼-28	0.344	8.7	60	6.78
High Current, High	2½ to 3½	E	0.684	17.4	0.281	7.1	¼-28	0.469	11.9	60	6.78
M5 Post, Small	1½ to 2	M	0.314	8.0	0.281	7.1	M5	0.375	9.5	25	2.82
M5 Post	2½ & 3	F	0.512	13.0	0.230	5.8	M5	0.344	8.7	25	2.82
M6 Low Post	2½ to 3½	G	0.684	17.4	0.125	3.2	M6	0.344	8.7	60	6.78
M6 High Post	2½ to 3½	H	0.684	17.4	0.281	7.1	M6	0.469	11.9	60	6.78

[Click here to see Hardware & Mounting Options](#)

Type 520C 85 °C Long-life, Inverter Grade, Aluminum

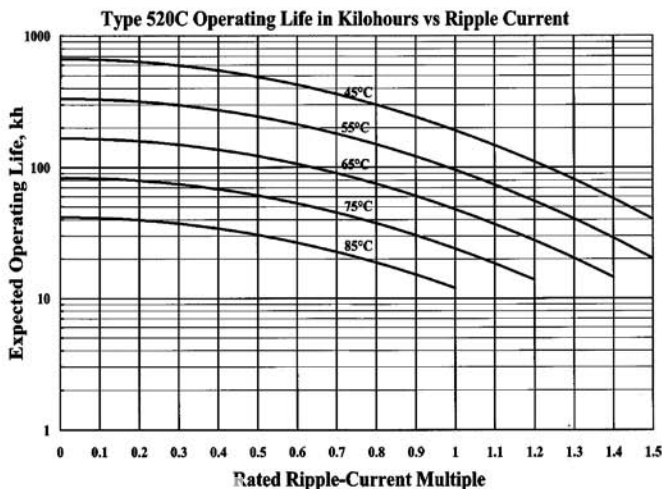
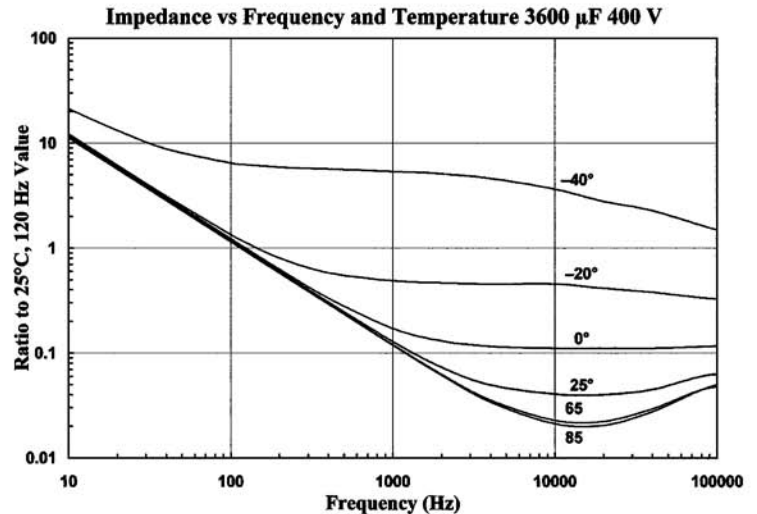
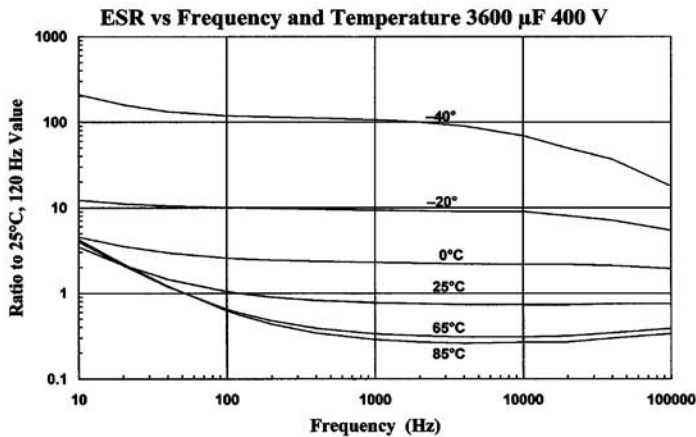
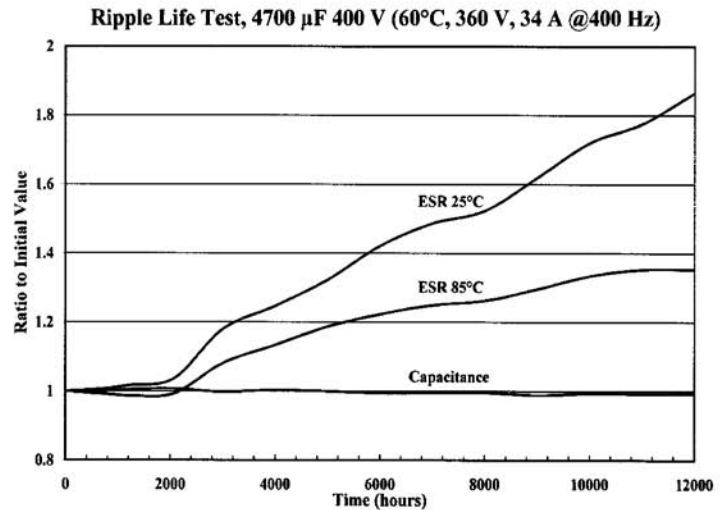
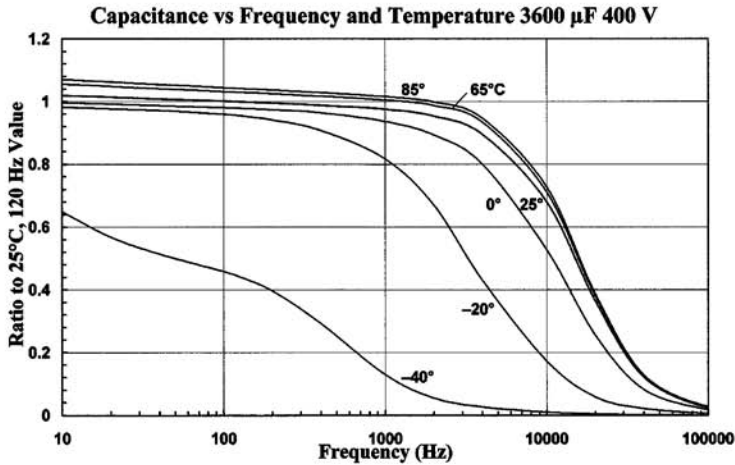
Part Numbering System

520C	782	T	500	FG	2	D	S
Type 520C	Capacitance 782 = 7800 μ F	Tolerance M= \pm 20% U= 10%+75% T= 10%+50%	Voltage 200=200 Vdc 500=500 Vdc	Case Code	Insulation 0= None 1= Polyester 2= PVC	Terminal A= Low Post B= High Post D= High Current, Low Post E= High Current, High Post F or M= M5 Post G= M6 Low Post H= M6 High Post	Can Style Blank = Standard Can S= Stud Mount P= Stud with thermal pad

www.DataSheet4U.com

Polyester insulation is not available for 3.5-inch diameter units.
Standard insulation is 0.008-in PVC sleeve with 0.01-in polypropylene end disk.

Typical Performance Curves



Type 520C 85 °C Long-life, Inverter Grade, Aluminum

Ratings

Cap. (µF)	Catalog Part Number	ESR Max. @ 25 °C 120 Hz (mΩ)	Ripple Max. @ 85°C 120 Hz (A)	Nominal Size D x L (inches)
200 Vdc (250 Vdc Surge)				
430	520C431T200AK2B	216.0	2.4	1 3/8 x 1 5/8
780	520C781T200AA2B	147.0	3.2	1 3/8 x 2 1/8
950	520C951T200AH2B	106.0	4.0	1 3/8 x 2 5/8
1300	520C132T200AB2B	82.4	4.9	1 3/8 x 3 1/8
1300	520C132T200EA2B	83.1	4.9	1 3/4 x 2 1/8
1400	520C142T200BA2B	86.1	5.2	2 x 2 1/8
1600	520C162T200AJ2B	67.1	5.7	1 3/8 x 3 5/8
1600	520C162T200EH2B	65.7	5.9	1 3/4 x 2 5/8
2000	520C202T200AC2B	54.2	6.6	1 3/8 x 4 1/8
2000	520C202T200BH2B	64.1	6.5	2 x 2 5/8
2200	520C222T200EB2B	50.8	7.2	1 3/4 x 3 1/8
2300	520C232T200AD2B	45.4	7.6	1 3/8 x 4 5/8
2700	520C272T200AE2B	39.7	8.4	1 3/8 x 5 1/8
2700	520C272T200EJ2B	39.8	8.5	1 3/4 x 3 5/8
2800	520C282T200BB2B	48.4	8.0	2 x 3 1/8
3000	520C302T200AF2B	35.0	9.3	1 3/8 x 5 5/8
3200	520C322T200CH2B	44.3	9.0	2 1/2 x 2 5/8
3300	520C332T200EC2B	32.9	9.8	1 3/4 x 4 1/8
3600	520C362T200BJ2B	38.0	9.5	2 x 3 5/8
3900	520C392T200ED2B	28.1	11.1	1 3/4 x 4 5/8
4400	520C442T200BC2B	30.0	11.2	2 x 4 1/8
4400	520C442T200CB2B	32.8	11.1	2 1/2 x 3 1/8
4500	520C452T200EE2B	24.6	12.3	1 3/4 x 5 1/8
5000	520C502T200EF2B	22.0	13.4	1 3/4 x 5 5/8
5200	520C522T200BD2B	25.7	12.5	2 x 4 5/8
5700	520C572T200CJ2B	23.4	13.8	2 1/2 x 3 5/8
6000	520C602T200BE2B	22.8	13.8	2 x 5 1/8
6400	520C642T200DB2B	31.8	12.6	3 x 3 1/8
6800	520C682T200BF2B	20.6	15.0	2 x 5 5/8
7000	520C702T200CC2B	21.3	15.1	2 1/2 x 4 1/8
8200	520C822T200CD2B	18.2	17.0	2 1/2 x 4 5/8
8200	520C822T200DJ2B	24.9	15.0	3 x 3 5/8
9500	520C952T200CD2B	16.6	18.4	2 1/2 x 5 1/8
10000	520C103T200DC2B	20.7	17.1	3 x 4 1/8
11000	520C113T200CF2B	14.4	20.4	2 1/2 x 5 5/8
12000	520C123T200DD2B	17.7	19.2	3 x 4 5/8
14000	520C143T200DE2B	18.0	19.7	3 x 5 1/8
15000	520C153T200FC2D	15.6	21.7	3 1/2 x 4 1/8
16000	520C163T200DF2B	14.0	23.0	3 x 5 5/8
16000	520C163T200DP2B	16.1	21.7	3 x 5 7/8
17000	520C173T200FD2D	13.3	24.4	3 1/2 x 4 5/8
20000	520C203T200FE2D	14.1	24.4	3 1/2 x 5 1/8
22000	520C223T200DN2D	12.3	27.6	3 x 7 5/8
23000	520C233T200FF2D	12.6	26.5	3 1/2 x 5 5/8
24000	520C243T200FP2D	12.0	27.5	3 1/2 x 5 7/8
26000	520C263T200DG2D	10.1	31.0	3 x 8 5/8
34000	520C343T200FN2D	9.7	33.6	3 1/2 x 7 5/8

RoHS Compliant

Cap. (µF)	Catalog Part Number	ESR Max. @ 25 °C 120 Hz (mΩ)	Ripple Max. @ 85°C 120 Hz (A)	Nominal Size D x L (inches)
39000	520C393T200FG2D	8.3	37.2	3.5 x 8 5/8
250 Vdc (300 Vdc Surge)				
290	520C291T250AK2B	273.0	2.1	1 3/8 x 1 5/8
530	520C531T250AA2B	164.0	3.0	1 3/8 x 2 1/8
640	520C641T250AH2B	125.0	3.7	1 3/8 x 2 5/8
880	520C881T250AB2B	91.9	4.6	1 3/8 x 3 1/8
880	520C881T250EA2B	104.0	4.4	1 3/4 x 2 1/8
940	520C941T250BA2B	99.3	4.9	2 x 2 1/8
1100	520C112T250AJ2B	72.9	5.5	1 3/8 x 3 5/8
1100	520C112T250EH2B	87.0	5.2	1 3/4 x 2 5/8
1300	520C132T250AC2B	60.6	6.3	1 3/8 x 4 1/8
1400	520C142T250BH2B	69.0	6.3	2 x 2 5/8
1500	520C152T250EB2B	64.1	6.4	1 3/4 x 3 1/8
1600	520C162T250AD2B	54.1	6.9	1 3/8 x 4 5/8
1800	520C182T250AE2B	46.3	7.8	1 3/8 x 5 1/8
1900	520C192T250EJ2B	51.0	7.6	1 3/4 x 3 5/8
1900	520C192T250BB2B	48.5	8.0	2 x 3 1/8
2000	520C202T250AF2B	40.3	8.7	1 3/8 x 5 5/8
2100	520C212T250CH2B	54.2	8.2	2 1/2 x 2 5/8
2200	520C222T250EC2B	42.4	8.7	1 3/4 x 4 1/8
2400	520C242T250BJ2B	40.0	9.2	2 x 3 5/8
2600	520C262T250ED2B	36.4	9.7	1 3/4 x 4 5/8
3000	520C302T250EE2B	32.0	10.8	1 3/4 x 5 1/8
3000	520C302T250BC2B	33.0	10.6	2 x 4 1/8
3000	520C302T250CB2B	33.6	11.0	2 1/2 x 3 1/8
3400	520C342T250EF2B	28.6	11.8	1 3/4 x 5 5/8
3500	520C352T250BD2B	28.2	12.0	2 x 4 5/8
3900	520C392T250CJ2B	26.3	13.0	2 1/2 x 3 5/8
4100	520C412T250BE2B	24.7	13.2	2 x 5 1/8
4300	520C432T250DB2B	29.0	13.2	3 x 3 1/8
4600	520C462T250BF2B	22.1	14.5	2 x 5 5/8
4700	520C472T250CC2B	21.8	15.0	2 1/2 x 4 1/8
5600	520C562T250CD2B	18.6	16.8	2 1/2 x 4 5/8
5600	520C562T250DJ2B	22.7	15.7	3 x 3 5/8
6400	520C642T250CD2B	16.3	18.6	2 1/2 x 5 1/8
6800	520C682T250DC2B	18.5	18.2	3 x 4 1/8
7300	520C732T250CF2B	14.5	20.3	2 1/2 x 5 5/8
8000	520C802T250DD2B	17.1	19.5	3 x 4 5/8
9300	520C932T250DE2B	15.0	21.6	3 x 5 1/8
10000	520C103T250FC2D	20.4	19.0	3 1/2 x 4 1/8
11000	520C113T250DF2B	12.6	24.3	3 x 5 5/8
11000	520C113T250DP2B	12.1	25.1	3 x 5 7/8
12000	520C123T250FD2D	18.1	20.9	3 1/2 x 4 5/8
14000	520C143T250FE2D	15.8	23.0	3 1/2 x 5 1/8
15000	520C153T250FF2D	13.9	25.3	3 1/2 x 5 5/8
16000	520C163T250DN2B	9.1	32.2	3 x 7 5/8
16000	520C163T250FP2D	13.5	26.0	3 1/2 x 5 7/8
18000	520C183T250DG2D	7.4	36.2	3 x 8 5/8

Type 520C 85 °C Long-life, Inverter Grade, Aluminum

Cap. (µF)	Catalog Part Number	ESR Max. @ 25 °C 120 Hz (mΩ)	Ripple Max. @ 85°C 120 Hz (A)	Nominal Size D x L (inches)
22000	520C223T250FN2D	11.0	31.5	3 1/2 x 7 5/8
26000	520C263T250FG2D	9.6	34.6	3 1/2 x 8 5/8
300 Vdc (350 Vdc Surge)				
210	520C211T300AK2B	439.0	1.7	1 3/8 x 1 5/8
360	520C361T300AA2B	243.0	2.5	1 3/8 x 2 1/8
510	520C511T300AH2B	198.0	2.9	1 3/8 x 2 5/8
530	520C531T300EA2B	146.0	3.7	1 3/4 x 2 1/8
670	520C671T300AB2B	144.0	3.7	1 3/8 x 3 1/8
670	520C671T300BA2B	138.0	4.1	2 x 2 1/8
760	520C761T300EH2B	123.0	4.3	1 3/4 x 2 5/8
840	520C841T300AJ2B	112.0	4.4	1 3/8 x 3 5/8
960	520C961T300BH2B	108.0	5.0	2 x 2 5/8
1000	520C102T300AC2B	94.9	5.0	1 3/8 x 4 1/8
1100	520C112T300EB2B	88.7	5.4	1 3/4 x 3 1/8
1200	520C122T300AD2B	81.2	5.7	1 3/8 x 4 5/8
1300	520C132T300AE2B	69.0	6.4	1 3/8 x 5 1/8
1300	520C132T300BB2B	71.7	6.6	2 x 3 1/8
1400	520C142T300EJ2B	74.7	6.2	1 3/4 x 3 5/8
1500	520C152T300AF2B	63.4	6.9	1 3/8 x 5 5/8
1600	520C162T300CH2B	59.5	7.8	2 1/2 x 2 5/8
1700	520C172T300EC2B	63.6	7.1	1 3/4 x 4 1/8
1700	520C172T300BJ2B	58.3	7.7	2 x 3 5/8
2000	520C202T300ED2B	51.0	8.2	1 3/4 x 4 5/8
2200	520C222T300CB2B	48.8	9.1	2 1/2 x 3 1/8
2300	520C232T300EE2B	44.7	9.1	1 3/4 x 5 1/8
2400	520C242T300BC2B	48.0	8.8	2 x 4 1/8
2500	520C252T300BD2B	40.8	9.9	2 x 4 5/8
2600	520C262T300EF2B	39.8	10.0	1 3/4 x 5 5/8
2900	520C292T300BE2B	35.7	11.0	2 x 5 1/8
2900	520C292T300CJ2B	40.0	10.6	2 1/2 x 3 5/8
3300	520C332T300BF2B	31.7	12.1	2 x 5 5/8
3400	520C342T300DB2B	44.9	10.6	3 x 3 1/8
3500	520C352T300CC2B	31.4	12.5	2 1/2 x 4 1/8
4100	520C412T300CD2B	26.8	14.0	2 1/2 x 4 5/8
4300	520C432T300DJ2B	35.7	12.5	3 x 3 5/8
4800	520C482T300CD2B	23.3	15.5	2 1/2 x 5 1/8
5300	520C532T300DC2B	27.5	14.9	3 x 4 1/8
5400	520C542T300CF2B	20.7	17.0	2 1/2 x 5 5/8
6300	520C632T300DD2B	24.8	16.3	3 x 4 5/8
7200	520C722T300DE2B	21.5	18.0	3 x 5 1/8
7400	520C742T300FC2D	22.1	18.2	3 1/2 x 4 1/8
8200	520C822T300DF2B	18.9	19.8	3 x 5 5/8
8700	520C872T300DP2B	17.9	20.6	3 x 5 7/8
8800	520C882T300FD2D	19.1	20.3	3 1/2 x 4 5/8
10000	520C103T300FE2D	16.8	22.3	3 1/2 x 5 1/8
11000	520C113T300FF2D	15.0	24.4	3 1/2 x 5 5/8
12000	520C123T300DN2B	13.8	26.1	3 x 7 5/8
12000	520C123T300FP2D	14.2	25.3	3 1/2 x 5 7/8

Cap. (µF)	Catalog Part Number	ESR Max. @ 25 °C 120 Hz (mΩ)	Ripple Max. @ 85°C 120 Hz (A)	Nominal Size D x L (inches)
14000	520C143T300DG2B	11.3	29.3	3 x 8 5/8
17000	520C173T300FN2D	11.5	30.9	3 1/2 x 7 5/8
20000	520C203T300FG2D	9.8	34.2	3 1/2 x 8 5/8
350 Vdc (400 Vdc Surge)				
190	520C191T350AK2B	636.0	1.4	1 3/8 x 1 5/8
330	520C331T350AA2B	398.0	1.9	1 3/8 x 2 1/8
460	520C461T350AH2B	266.0	2.5	1 3/8 x 2 5/8
480	520C481T350EA2B	185.0	3.3	1 3/4 x 2 1/8
610	520C611T350BA2B	176.0	3.7	2 x 2 1/8
620	520C621T350AB2B	200.0	3.1	1 3/8 x 3 1/8
690	520C691T350EH2B	170.0	3.7	1 3/4 x 2 5/8
770	520C771T350AJ2B	160.0	3.7	1 3/8 x 3 5/8
880	520C881T350BH2B	139.0	4.4	2 x 2 5/8
920	520C921T350AC2B	134.0	4.2	1 3/8 x 4 1/8
970	520C971T350EB2B	131.0	4.5	1 3/4 x 3 1/8
1100	520C112T350AD2B	115.0	4.8	1 3/8 x 4 5/8
1200	520C122T350AE2B	101.0	5.3	1 3/8 x 5 1/8
1200	520C122T350BB2B	107.0	5.4	2 x 3 1/8
1300	520C132T350EJ2B	102.0	5.3	1 3/4 x 3 5/8
1400	520C142T350AF2B	90.2	5.8	1 3/8 x 5 5/8
1500	520C152T350EC2B	83.9	6.2	1 3/4 x 4 1/8
1500	520C152T350CH2B	91.3	6.3	2 1/2 x 2 5/8
1600	520C162T350BJ2B	83.2	6.4	2 x 3 5/8
1800	520C182T350ED2B	71.2	7.0	1 3/4 x 4 5/8
2000	520C202T350CB2B	64.0	8.0	2 1/2 x 3 1/8
2100	520C212T350EE2B	62.0	7.7	1 3/4 x 5 1/8
2200	520C222T350BC2B	68.4	7.4	2 x 4 1/8
2300	520C232T350BD2B	58.1	8.3	2 x 4 5/8
2400	520C242T350EF2B	55.0	8.5	1 3/4 x 5 5/8
2600	520C262T350BE2B	50.7	9.2	2 x 5 1/8
2600	520C262T350CJ2B	51.0	9.4	2 1/2 x 3 5/8
3000	520C302T350BF2B	45.0	10.1	2 x 5 5/8
3100	520C312T350DB2B	56.6	9.5	3 x 3 1/8
3200	520C322T350CC2B	41.9	10.8	2 1/2 x 4 1/8
3800	520C382T350CD2B	35.7	12.1	2 1/2 x 4 5/8
4000	520C402T350DJ2B	43.8	11.3	3 x 3 5/8
4400	520C442T350CD2B	31.1	13.5	2 1/2 x 5 1/8
4800	520C482T350DC2B	36.5	12.9	3 x 4 1/8
4900	520C492T350CF2B	27.6	14.7	2 1/2 x 5 5/8
5700	520C572T350DD2B	31.0	14.5	3 x 4 5/8
6600	520C662T350DE2B	27.1	16.1	3 x 5 1/8
6800	520C682T350FC2D	31.4	15.3	3 1/2 x 4 1/8
7500	520C752T350DF2B	24.1	17.5	3 x 5 5/8
7900	520C792T350DP2B	22.8	18.3	3 x 5 7/8
8000	520C802T350FD2D	27.0	17.1	3 1/2 x 4 5/8
9200	520C922T350FE2D	23.6	18.9	3 1/2 x 5 1/8
10000	520C103T350FF2D	21.0	20.6	3 1/2 x 5 5/8
10000	520C103T350FF2D	21.0	20.6	3 1/2 x 5 5/8

Type 520C 85 °C Long-life, Inverter Grade, Aluminum

Cap. (µF)	Catalog Part Number	ESR Max. @ 25 °C 120 Hz (mΩ)	Ripple Max. @ 85°C 120 Hz (A)	Nominal Size D x L (inches)
11000	520C113T350FP2D	19.9	21.4	3 1/2 x 5 7/8
13000	520C133T350DG2B	14.9	25.5	3 x 8 5/8
15000	520C153T350FN2D	15.7	26.7	3 1/2 x 7 5/8
18000	520C183T350FG2D	13.0	29.7	3 1/2 x 8 5/8
400 Vdc (450 Vdc Surge)				
150	520C151T400AK2B	685.0	1.3	1 3/8 x 1 5/8
250	520C251T400AA2B	429.0	1.9	1 3/8 x 2 1/8
350	520C351T400AH2B	286.0	2.5	1 3/8 x 2 5/8
370	520C371T400EA2B	199.0	3.2	1 3/4 x 2 1/8
470	520C471T400AB2B	215.0	3.0	1 3/8 x 3 1/8
470	520C471T400BA2B	188.0	3.5	2 x 2 1/8
530	520C531T400EH2B	182.0	3.6	1 3/4 x 2 5/8
590	520C591T400AJ2B	173.0	3.6	1 3/8 x 3 5/8
670	520C671T400BH2B	149.0	4.3	2 x 2 5/8
710	520C711T400AC2B	149.0	4.0	1 3/8 x 4 1/8
740	520C741T400EB2B	141.0	4.3	1 3/4 x 3 1/8
820	520C821T400AD2B	124.0	4.6	1 3/8 x 4 5/8
940	520C941T400AE2B	109.0	5.1	1 3/8 x 5 1/8
940	520C941T400BB2B	114.0	5.2	2 x 3 1/8
950	520C951T400EJ2B	110.0	5.1	1 3/4 x 3 5/8
1100	520C112T400AF2B	97.1	5.6	1 3/8 x 5 5/8
1100	520C112T400CH2B	97.8	6.1	2 1/2 x 2 5/8
1200	520C122T400EC2B	97.8	5.7	1 3/4 x 4 1/8
1200	520C122T400BJ2B	89.2	6.2	2 x 3 5/8
1400	520C142T400ED2B	76.5	6.7	1 3/4 x 4 5/8
1600	520C162T400EE2B	66.6	7.5	1 3/4 x 5 1/8
1600	520C162T400CB2B	68.6	7.7	2 1/2 x 3 1/8
1700	520C172T400BC2B	73.3	7.1	2 x 4 1/8
1700	520C172T400BD2B	62.3	8.1	2 x 4 5/8
1800	520C182T400EF2B	59.0	8.2	1 3/4 x 5 5/8
2000	520C202T400BE2B	54.3	8.9	2 x 5 1/8
2000	520C202T400CJ2B	54.6	9.1	2 1/2 x 3 5/8
2300	520C232T400BF2B	48.2	9.8	2 x 5 5/8
2400	520C242T400CC2B	44.9	10.4	2 1/2 x 4 1/8
2400	520C242T400DB2B	60.4	9.2	3 x 3 1/8
2900	520C292T400CD2B	47.1	10.6	2 1/2 x 4 5/8
3000	520C302T400DJ2B	47.1	10.9	3 x 3 5/8
3300	520C332T400CD2B	33.0	13.0	2 1/2 x 5 1/8
3700	520C372T400DC2B	38.8	12.5	3 x 4 1/8
3800	520C382T400CF2B	33.0	13.5	2 1/2 x 5 5/8
4400	520C442T400DD2B	29.5	14.9	3 x 4 5/8
5000	520C502T400DE2B	28.8	15.6	3 x 5 1/8
5200	520C522T400FC2D	33.5	14.8	3 1/2 x 4 1/8
5700	520C572T400DF2B	25.6	17.0	3 x 5 5/8
6100	520C612T400DP2B	24.3	17.7	3 x 5 7/8
6100	520C612T400FD2D	28.8	16.6	3 1/2 x 4 5/8
7000	520C702T400FE2D	25.1	18.3	3 1/2 x 5 1/8
8000	520C802T400FF2D	22.3	20.0	3 1/2 x 5 5/8

Cap. (µF)	Catalog Part Number	ESR Max. @ 25 °C 120 Hz (mΩ)	Ripple Max. @ 85°C 120 Hz (A)	Nominal Size D x L (inches)
8400	520C842T400DN2B	19.1	22.2	3 x 7 5/8
8500	520C852T400FP2D	21.1	20.8	3 1/2 x 5 7/8
9800	520C982T400DG2B	15.8	24.8	3 x 8 5/8
12000	520C123T400FN2D	16.6	25.9	3 1/2 x 7 5/8
14000	520C143T400FG2D	13.8	28.8	3 1/2 x 8 5/8
450 Vdc (500 Vdc Surge)				
120	520C121T450AK2B	831.0	1.2	1 3/8 x 1 5/8
210	520C211T450AA2B	460.0	1.8	1 3/8 x 2 1/8
290	520C291T450AH2B	344.0	2.2	1 3/8 x 2 5/8
300	520C301T450EA2B	347.0	2.4	1 3/4 x 2 1/8
390	520C391T450AB2B	258.0	2.8	1 3/8 x 3 1/8
390	520C391T450BA2B	240.0	3.1	2 x 2 1/8
440	520C441T450EH2B	224.0	3.2	1 3/4 x 2 5/8
490	520C491T450AJ2B	207.0	3.2	1 3/8 x 3 5/8
550	520C551T450BH2B	187.0	3.8	2 x 2 5/8
580	520C581T450AC2B	173.0	3.7	1 3/8 x 4 1/8
610	520C611T450EB2B	173.0	3.9	1 3/4 x 3 1/8
680	520C681T450AD2B	149.0	4.2	1 3/8 x 4 5/8
780	520C781T450AE2B	131.0	4.6	1 3/8 x 5 1/8
780	520C781T450BB2B	134.0	4.8	2 x 3 1/8
790	520C791T450EJ2B	135.0	4.6	1 3/4 x 3 5/8
870	520C871T450AF2B	146.0	4.6	1 3/8 x 5 5/8
920	520C921T450CH2B	114.0	5.6	2 1/2 x 2 5/8
960	520C961T450EC2B	111.0	5.4	1 3/4 x 4 1/8
1000	520C102T450BJ2B	104.0	5.7	2 x 3 5/8
1100	520C112T450ED2B	94.2	6.1	1 3/4 x 4 5/8
1300	520C132T450EE2B	82.0	6.7	1 3/4 x 5 1/8
1300	520C132T450CB2B	81.9	7.0	2 1/2 x 3 1/8
1400	520C142T450BC2B	82.1	6.7	2 x 4 1/8
1400	520C142T450BD2B	71.4	7.5	2 x 4 5/8
1500	520C152T450EF2B	72.7	7.4	1 3/4 x 5 5/8
1600	520C162T450CJ2B	63.5	8.4	2 1/2 x 3 5/8
1700	520C172T450BE2B	63.5	8.3	2 x 5 1/8
1900	520C192T450BF2B	53.4	9.3	2 x 5 5/8
1900	520C192T450DB2B	52.6	9.8	3 x 3 1/8
2000	520C202T450CC2B	49.8	9.9	2 1/2 x 4 1/8
2400	520C242T450CD2B	42.3	11.1	2 1/2 x 4 5/8
2500	520C252T450DJ2B	40.3	11.8	3 x 3 5/8
2700	520C272T450CD2B	38.9	12.0	2 1/2 x 5 1/8
3100	520C312T450CF2B	32.7	13.5	2 1/2 x 5 5/8
3100	520C312T450DC2B	33.0	13.6	3 x 4 1/8
3600	520C362T450DD2B	27.8	15.3	3 x 4 5/8
4200	520C422T450DE2B	23.9	17.1	3 x 5 1/8
4300	520C432T450FC2D	23.9	17.5	3 1/2 x 4 1/8
4700	520C472T450DF2B	21.3	18.7	3 x 5 5/8
5000	520C502T450DP2B	20.0	19.5	3 x 5 7/8
5000	520C502T450FD2D	20.0	19.9	3 1/2 x 4 5/8
5800	520C582T450FE2D	17.6	21.8	3 1/2 x 5 1/8

Type 520C 85 °C Long-life, Inverter Grade, Aluminum

Cap. (μ F)	Catalog Part Number	ESR Max. @ 25 °C 120 Hz (m Ω)	Ripple Max. @ 85°C 120 Hz (A)	Nominal Size D x L (inches)
6600	520C662T450FF2D	15.1	24.2	3 1/2 x 5 5/8
7000	520C702T450FP2D	14.3	25.2	3 1/2 x 5 7/8
7000	520C702T450DN2B	15.0	25.0	3 x 7 5/8
8100	520C812T450DG2B	12.5	27.9	3 x 8 5/8
9500	520C952T450FN2D	11.0	32.0	3 1/2 x 7 5/8
11000	520C113T450FG2D	9.1	35.5	3 1/2 x 8 5/8
500 Vdc (550 Vdc Surge)				
84	520C840T500AK2B	1310.0	1.0	1 3/8 x 1 5/8
140	520C141T500AA2B	773.0	1.4	1 3/8 x 2 1/8
200	520C201T500AH2B	547.0	1.8	1 3/8 x 2 5/8
210	520C211T500EA2B	531.0	1.9	1 3/4 x 2 1/8
270	520C271T500AB2B	411.0	2.2	1 3/8 x 3 1/8
270	520C271T500BA2B	389.0	2.5	2 x 2 1/8
340	520C341T500AJ2B	329.0	2.6	1 3/8 x 3 5/8
380	520C381T500BH2B	271.0	3.2	2 x 2 5/8
400	520C401T500AC2B	275.0	3.0	1 3/8 x 4 1/8
420	520C421T500EB2B	264.0	3.1	1 3/4 x 3 1/8
470	520C471T500AD2B	236.0	3.3	1 3/8 x 4 5/8
540	520C541T500AE2B	207.0	3.7	1 3/8 x 5 1/8
540	520C541T500BB2B	194.0	4.0	2 x 3 1/8
550	520C551T500EJ2B	200.0	3.8	1 3/4 x 3 5/8
610	520C611T500AF2B	230.0	3.6	1 3/8 x 5 5/8
630	520C631T500CH2B	165.0	4.7	2 1/2 x 2 5/8
670	520C671T500EC2B	164.0	4.4	1 3/4 x 4 1/8
690	520C691T500BJ2B	151.0	4.8	2 x 3 5/8
790	520C791T500ED2B	139.0	5.0	1 3/4 x 4 5/8
840	520C841T500BC2B	124.0	5.5	2 x 4 1/8

Cap. (μ F)	Catalog Part Number	ESR Max. @ 25 °C 120 Hz (m Ω)	Ripple Max. @ 85°C 120 Hz (A)	Nominal Size D x L (inches)
890	520C891T500CB2B	118.0	5.9	2 1/2 x 3 1/8
910	520C911T500EE2B	121.0	5.5	1 3/4 x 5 1/8
1000	520C102T500EF2B	110.0	6.0	1 3/4 x 5 5/8
1000	520C102T500BD2B	105.0	6.2	2 x 4 5/8
1100	520C112T500CJ2B	91.9	7.0	2 1/2 x 3 5/8
1200	520C122T500BE2B	91.4	6.9	2 x 5 1/8
1300	520C132T500BF2B	80.9	7.6	2 x 5 5/8
1300	520C132T500DB2B	77.1	8.1	3 x 3 1/8
1400	520C142T500CC2B	73.1	8.2	2 1/2 x 4 1/8
1600	520C162T500CD2B	63.2	9.1	2 1/2 x 4 5/8
1700	520C172T500DJ2B	60.1	9.7	3 x 3 5/8
1900	520C192T500CD2B	54.9	10.1	2 1/2 x 5 1/8
2100	520C212T500DC2B	49.4	11.1	3 x 4 1/8
2200	520C222T500CF2B	46.2	11.4	2 1/2 x 5 5/8
2500	520C252T500DD2B	42.0	12.5	3 x 4 5/8
2900	520C292T500DE2B	36.5	13.8	3 x 5 1/8
3000	520C302T500FC2D	35.7	14.4	3 1/2 x 4 1/8
3300	520C332T500DF2B	32.4	15.1	3 x 5 5/8
3500	520C352T500DP2B	30.6	15.8	3 x 5 7/8
3500	520C352T500FD2D	30.3	16.1	3 1/2 x 4 5/8
4000	520C402T500FE2D	26.4	17.8	3 1/2 x 5 1/8
4600	520C462T500FF2D	23.4	19.5	3 1/2 x 5 5/8
4800	520C482T500FP2D	22.2	20.3	3 1/2 x 5 7/8
4800	520C482T500DN2B	23.9	19.8	3 x 7 5/8
5600	520C562T500DG2B	19.7	22.2	3 x 8 5/8
6700	520C672T500FN2D	17.3	25.4	3 1/2 x 7 5/8
7800	520C782T500FG2D	14.2	28.4	3