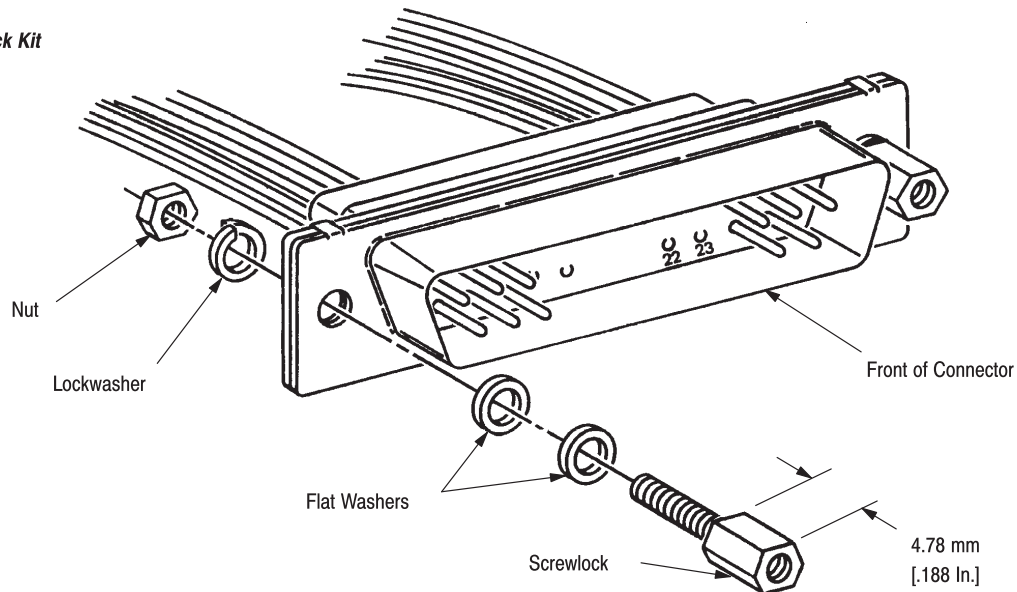


Female Screwlock Kit



FEMALE SCREWLOCK KIT	THREAD SIZE	THREAD LENGTH	CONNECTORS USED WITH	FEMALE SCREWLOCK KIT	THREAD SIZE	THREAD LENGTH	CONNECTORS USED WITH
5205817-[]	4-40	7.92 [.312]	HDP or HDF Metal Shell or All-Plastic Plugs & Receptacles	5207952-[]	4-40	6.35 [.250]	HD All-Plastic Right-Angle Plugs and Receptacles
5207719-[]	4-40	14.22 [.560]	HD or HDF All-Plastic Plugs & Receptacles with Integral standoffs	5745563-[]	4-40	6.35 [.250]	HDE Metal Shell or All-Plastic Plugs & Receptacles
5207872-[]	M3 x 0.5	7.92 [.312]	HDP or HDF Metal Shell or All-Plastic Plugs & Receptacles	5747223-[]	2-56 (Male) x 4-40 (Female)	14.22 [.560]	HD or HDF All-Plastic Plugs & Receptacles with Integral standoffs

NOTE: Kits used on plastic shell connectors have square nuts instead of hex nuts and lockwashers.

Figure 1

1. INTRODUCTION

This instruction sheet covers the assembly of the Female Screwlock Kits and the Male Screw Retainer Kits onto AMPLIMITE* connectors.

These kits are designed to secure mating connectors in panel-mounted or free-hanging applications. For panel-mount applications, it is recommended that the female screwlock kit be assembled on the panel-mounted connector. Read these instructions thoroughly before assembling either kit.

NOTE All dimensions on this document are in metric units [with U.S. customary units in brackets]. Figures and illustrations are for reference only and are not drawn to scale.

Reasons for reissue are provided in Section 7, REVISION SUMMARY.

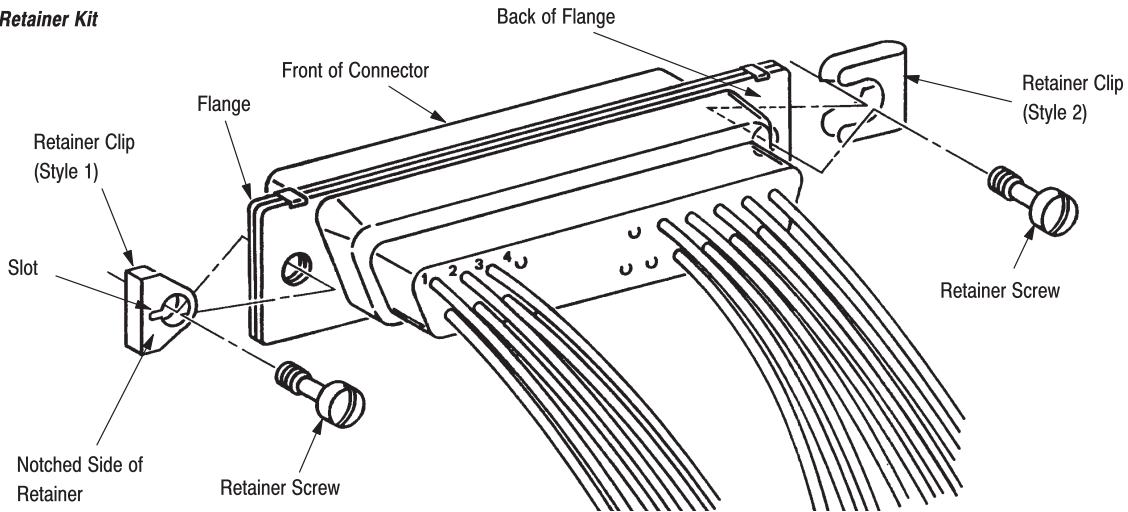
2. DESCRIPTION

The screwlock kit contains two identical screwlock component assemblies. Each assembly consists of one screwlock, two flat washers, one lockwasher, and one nut (see Figure 1).

The screw retainer kit contains two identical screw retainer component assemblies. Each assembly consists of one retainer and one retainer screw.

The screwlock kits and the corresponding screw retainer kits are available in various dimensions, with applications for a full range of contact sizes on both metal and plastic connector shells. See Figure 1 table for female screwlock kits and Figure 2 table for male screw retainer kits.

Male Screw Retainer Kit



SCREW RETAINER KIT	THREAD SIZE	CONNECTORS USED WITH	STYLE RETAINER CLIP	SCREW RETAINER KIT	THREAD SIZE	CONNECTORS USED WITH	STYLE RETAINER CLIP
5205980-[]	4-40	Metal Shell HDP & HDE	1	5745136-[]	4-40	Metal Shell HDP & HDE	2
5207871-[]	M3 x 0.5	Metal Shell HDP & HDE	1	5745647-[]	4-40	HDE All-Plastic	1
5746881-[]	4-40	HDF Metal Shell & All-Plastic	1	5787354-[] †	4-40	Metal Shell HDP & HDE	1

† Has Phillips head retainer screw

Figure 2

3. ASSEMBLING SCREWLOCK KITS

Screwlock component assemblies must be installed on the connectors as follows:



Recommended torque for the screwlock assemblies is .45 N • m [4 in.-lb.].

- For free-hanging application, install two flat washers on the screwlock and insert the screwlock through the connector flange. Secure the assembly with lockwasher and nut.
- For front-mounted panel applications, install two flat washers on the screwlock and insert the screwlock through the connector flange and panel. Secure assembly with a lockwasher and nut.
- For rear-panel mounted applications, install as follows: NO flat washers on screwlock if panel thickness is 1.52 mm [.060 in.] or greater; ONE flat washer if panel is 0.66 to 1.52 mm [.026 to .060 in.] thick; TWO flat washers if panel thickness is less than 0.64 mm [.025 in.]. Insert screwlock (with appropriate number of flat washers installed) through the panel and the connector flange. Secure with lockwasher and nut.

4. ASSEMBLING SCREW RETAINER KIT

(Figure 2)

Both screw retainer component assemblies must be installed on the connector. Install each assembly as follows:

Style 1 Retainer:

- Align the slotted side of the retainer with the BACK of connector flange.
- Slide retainer onto flange and align holes.
- Thread retainer screw through retainer from BACK of flange.

Style 2 Retainer:

- Align the notched side of the retainer with the FRONT of connector flange.
- Mount retainer screw onto connector flange.
- Slide retainer clip around the connector flange and the mounting screw.



The clip will snap in place when properly assembled.

5. ENGAGING CONNECTORS

Align connector mating faces. Push connectors together until retainer screws are started into

screwlocks. Alternately thread the retainer screws **CLOCKWISE** into screwlocks until connectors are fully engaged. Recommended torque is .22 N•m [2 in.-lb.].

6. DISENGAGING CONNECTORS

Alternately thread the retainer screws **COUNTERCLOCKWISE** until released from screwlocks. Pull connectors straight apart.

7. REVISION SUMMARY

Since the previous release of this sheet, the following additions were made:

- Updated document to corporate requirements
- Changed tables in Figures 1 and 2 including part numbers