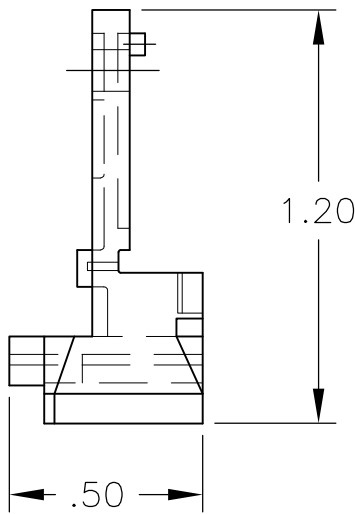
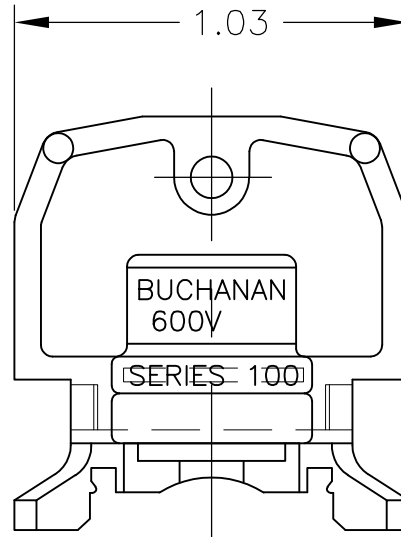
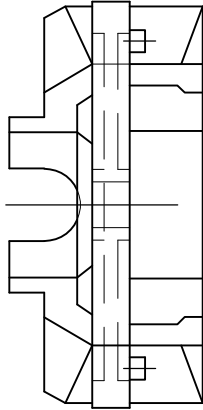


LOC	DIST	REVISIONS				
P	LTR	DESCRIPTION	DATE	DWN	APVD	
	A	REDRAWN PER ECO-08-023052	30SEP08	HMR	SM	



1 MATERIAL: NYLON

THIS DRAWING IS UNPUBLISHED.

ALL INTERNATIONAL RIGHTS RESERVED.

BY TYCO ELECTRONICS CORPORATION.

© COPYRIGHT

DIMENSIONS: INCHES	DWN	30SEP08	MATERIAL	1	FINISH	-	
	CHK	30SEP08	Tyco Electronics Corporation Harrisburg, PA 17105-3608				
TOLERANCES UNLESS OTHERWISE SPECIFIED:	APVD	30SEP08					
	PRODUCT SPEC	NAME					END SECTION-600V MINIATURE UNIVERSAL MOUNT
0 PLC ± -	APPLICATION SPEC	SIZE					A4
1 PLC ± -	WEIGHT	CAGE CODE					00779
2 PLC ± -		DRAWING NO					C-2-1437392-1
3 PLC ± -	RESTRICTED TO					-	
4 PLC ± -	SCALE					2:1	
ANGLES ± -	SHEET					1 OF 1	
CUSTOMER DRAWING					REV		A

