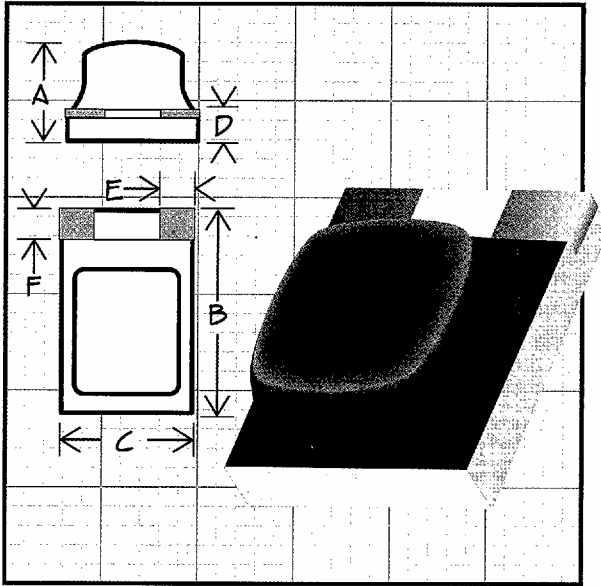


Series 106

Micro i® Wire Bondable Chip Inductors



Physical Parameters

	Inches	Millimeters
A	.075 Max.	1.91 Max.
B	.155 Max.	3.94 Max.
C	.110 Max	2.79 Max
D	.015 Ref.	.38 Ref.
E	.030 ± .005	.76 ± 0.13
F	.025 Min.	0.64 Min.

Current Rating at 90°C Ambient 35°C Rise

Operating Temperature -55°C to +125°C

Maximum Power Dissipation at 90°C 140mWatts

Termination Areas Gold plated per MIL-G-45204, Type III; Grade A. Internal Connections are Thermal Compression Bonded

Weight Max. (Grams) .2

Made in the U.S.A.

PART NUMBER	INDUCTANCE (µH) ± 10%	Q MINIMUM	TEST FREQUENCY (MHz)	RESONANT FREQUENCY MINIMUM (MHz)	DC RESISTANCE MAXIMUM (OHMS)	CURRENT RATING MAXIMUM (mA)
SERIES 106 PHENOLIC CORE						
106-100K	.010	45	150	1700	.070	1200
106-120K	.012	45	150	1600	.070	1200
106-150K	.015	45	150	1500	.070	1200
106-180K	.018	45	150	1400	.070	1200
106-220K	.022	45	100	1300	.070	1200
106-270K	.027	45	100	1200	.070	1200
106-330K	.033	47	100	1100	.070	1200
106-390K	.039	47	100	1000	.070	1200
106-470K	.047	47	100	900	.080	1100
106-560K	.056	47	100	850	.090	1050
106-680K	.068	47	100	840	.100	1000
106-820K	.082	47	100	750	.110	960
SERIES 106 IRON CORE						
106-101K	.10	40	25.0	550	.15	820
106-121K	.12	42	25.0	400	.20	710
106-151K	.15	42	25.0	350	.25	635
106-181K	.18	45	25.0	300	.30	580
106-221K	.22	45	25.0	260	.33	550
106-271K	.27	45	25.0	230	.37	520
106-331K	.33	45	25.0	200	.40	500
106-391K	.39	45	25.0	190	.45	475
106-471K	.47	45	25.0	180	.50	450
106-561K	.56	42	25.0	170	.55	425
106-681K	.68	42	25.0	160	.60	410
106-821K	.82	42	25.0	150	.70	380
106-102K	1.0	42	25.0	130	.80	355
106-122K	1.2	36	7.9	120	.90	335
106-152K	1.5	36	7.9	100	1.10	300
106-182K	1.8	38	7.9	90	1.30	265
106-222K	2.2	38	7.9	85	1.50	250
106-272K	2.7	41	7.9	82	1.70	230
106-332K	3.3	42	7.9	75	1.80	225
106-392K	3.9	42	7.9	65	2.00	215
106-472K	4.7	41	7.9	55	2.30	200
106-562K	5.6	41	7.9	45	2.60	185
106-682K	6.8	36	7.9	40	2.80	180
106-822K	8.2	36	7.9	35	3.00	175
106-103K	10.0	36	7.9	33	3.30	165
106-123K	12.0	32	2.5	26	4.00	150
106-153K	15.0	32	2.5	24	5.20	135
106-183K	18.0	32	2.5	21	4.50	130
106-223K	22.0	32	2.5	19	7.50	110
106-273K	27.0	32	2.5	14	8.00	105
106-333K	33.0	30	2.5	12	13.0	85
106-393K	39.0	30	2.5	10	17.0	75
106-473K	47.0	30	2.5	9.0	19.0	70

*Resonant Frequency values above 230 MHz are calculated and for reference only