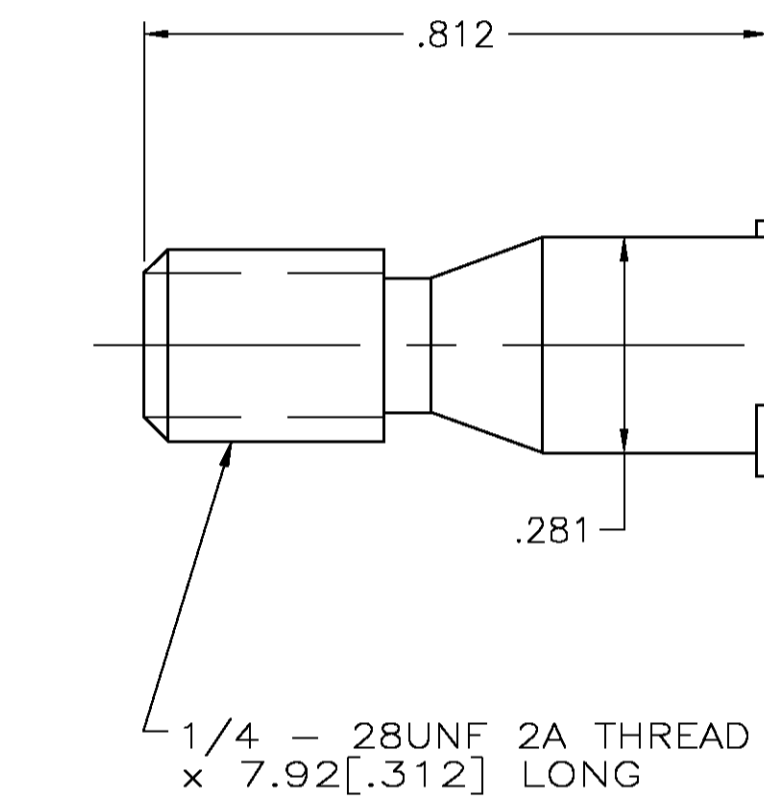
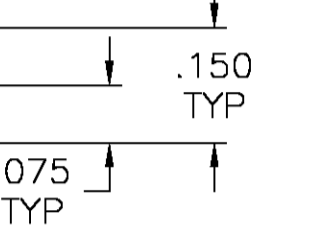
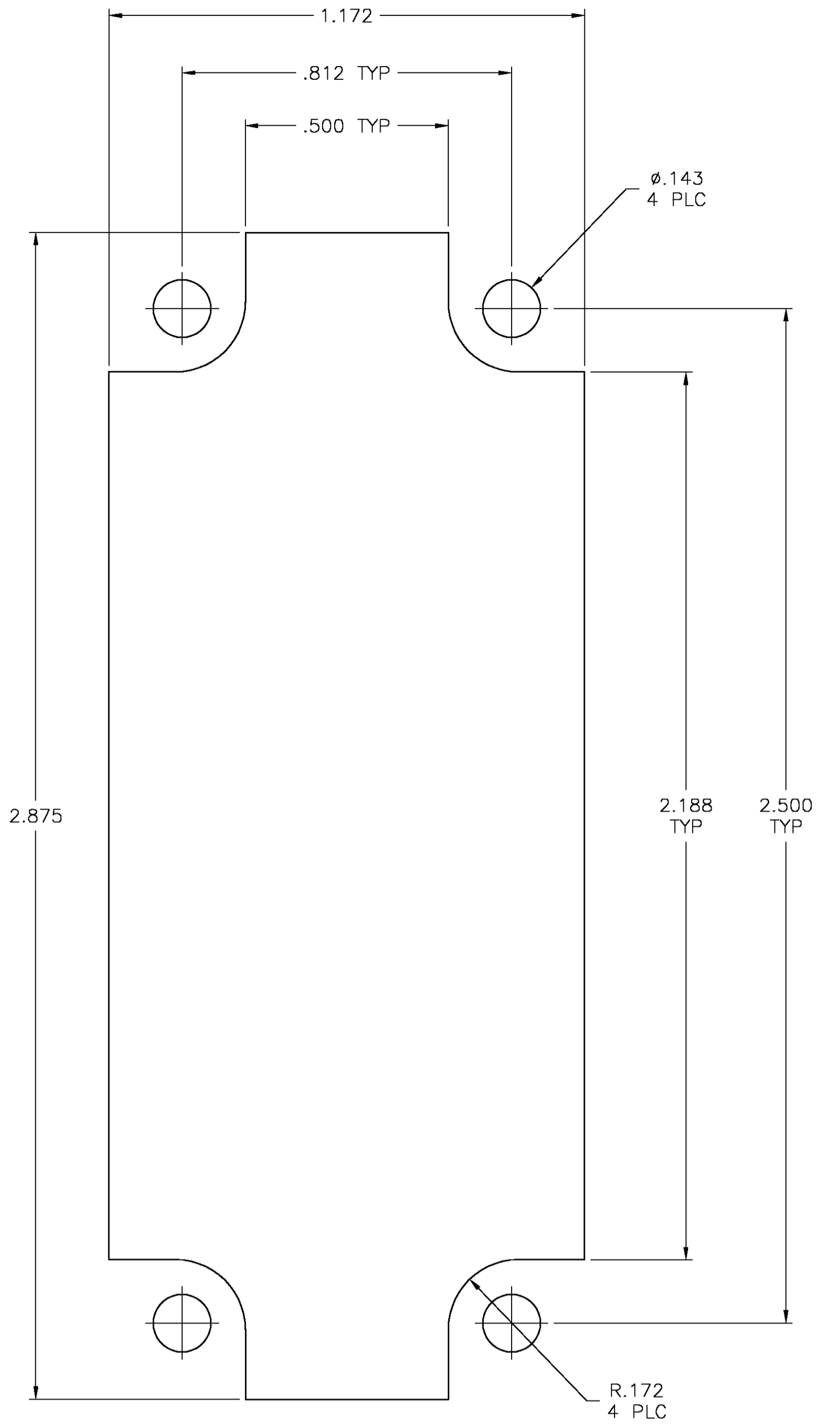
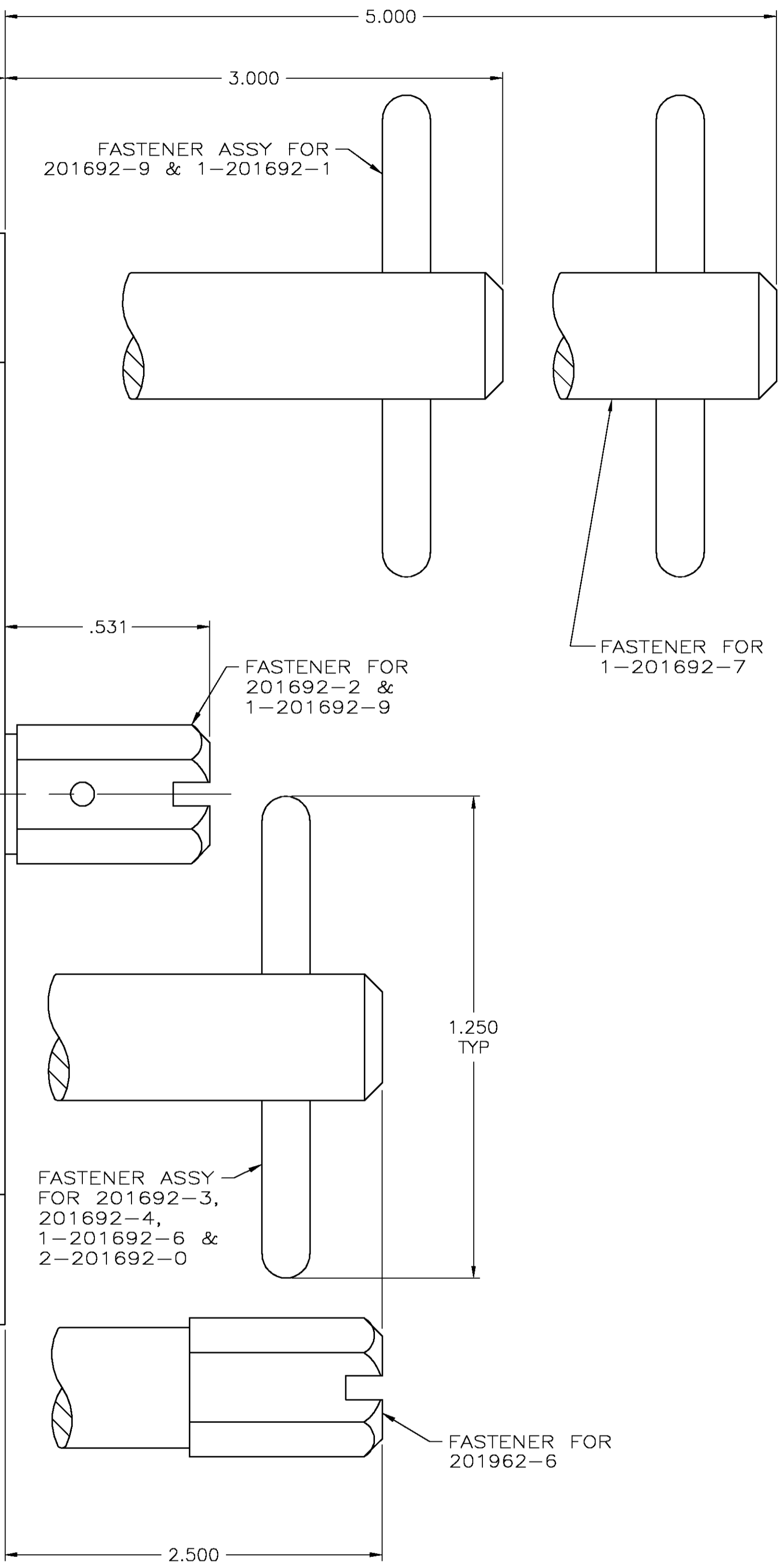


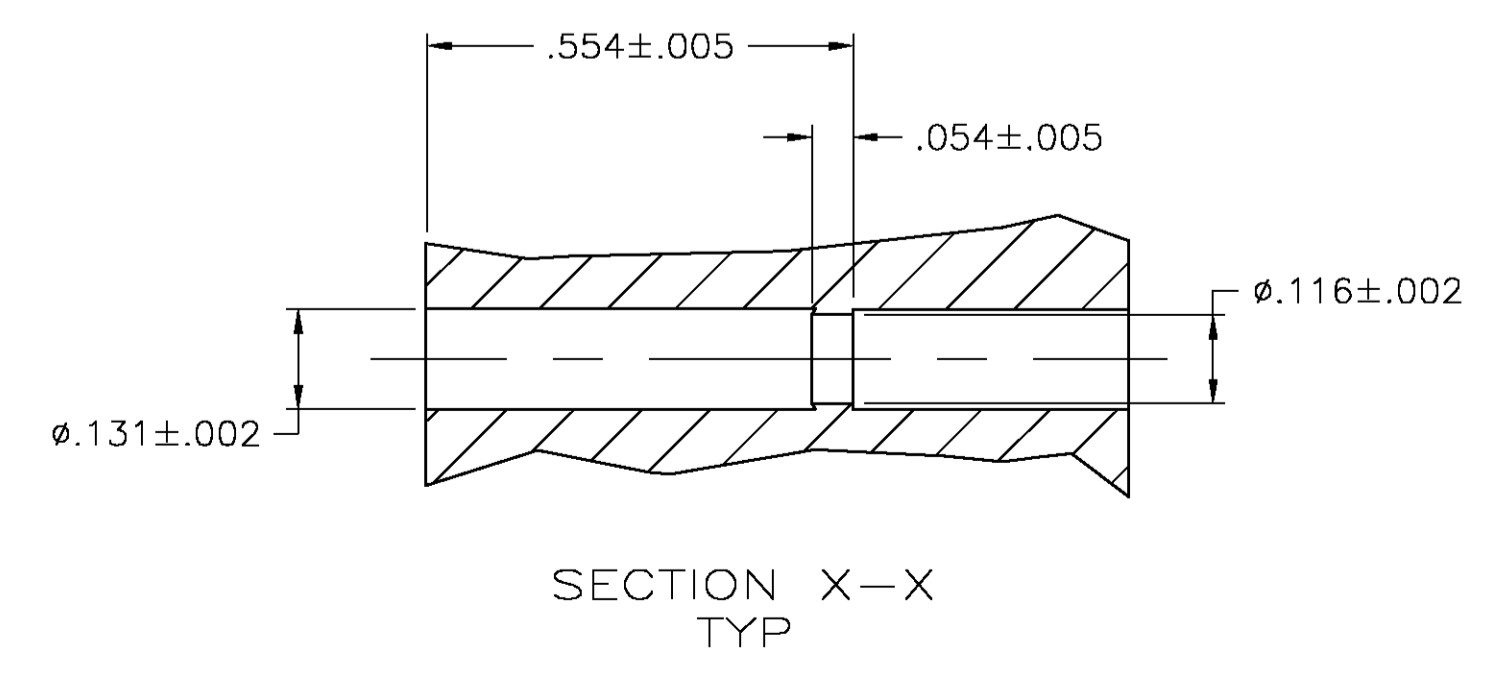
MATING FACE
 MOLDED CHARACTERS BOTH SIDES



AMP, PART NUMBER & DATE CODE IN THIS AREA



PANEL CUT-OUT DETAIL



- 1 PHENOLIC PER MIL-M-14F, TYPE MFH, BLACK.
- 2 DIALLYL PHTHALATE PER MIL-M-14F, TYPE SDG-F, BLUE.
- 3 VALOX 420 SEO.
- 4 ACCOMMODATES TYPE II OR TYPE III SIZE #16 SOCKET CONTACTS.
- 5 STAINLESS STEEL.
- 6 FOR MATING BLOCK SEE CUSTOMER DRAWING 201532.

BLOCK MATERIAL	PART NUMBER
1	2-201692-0
3	1-201692-9
1	1-201692-7
3	1-201692-6
1	1-201692-1
2	201692-9
1	201692-6
1	201692-4
2	201692-3
1	201692-2

THIS DRAWING IS A CONTROLLED DOCUMENT.

DIMENSIONS: INCHES	TOLERANCES UNLESS OTHERWISE SPECIFIED:	0 PLC ± .015	1 PLC ± .015	2 PLC ± .015	3 PLC ± .015	4 PLC ± .015	ANGLES ± .5	FINISH -
--------------------	--	--------------	--------------	--------------	--------------	--------------	-------------	----------

MATERIAL: BLOCK: SEE TABLE HARDWARE & INSERTS	FINISH: -	WEIGHT: -	SIZE: A1	CAGE CODE: 00779	DRAWING NO: C=201692	RESTRICTED TO: -
---	-----------	-----------	----------	------------------	----------------------	------------------

CUSTOMER DRAWING SCALE: 4:1 SHEET 1 OF 1 REV AN

THIS DRAWING IS A CONTROLLED DOCUMENT. DWN C. REIFSNYDER 14 DEC 95 CJK C. DORWART 19 DEC 95 APVD G.A. STEINHAEUER 03 JAN 96 NAME Tyco Electronics Corporation Harrisburg, PA 17105

PLUG BLOCK ASSEMBLY, 104 POSITION, RECTANGULAR M SERIES