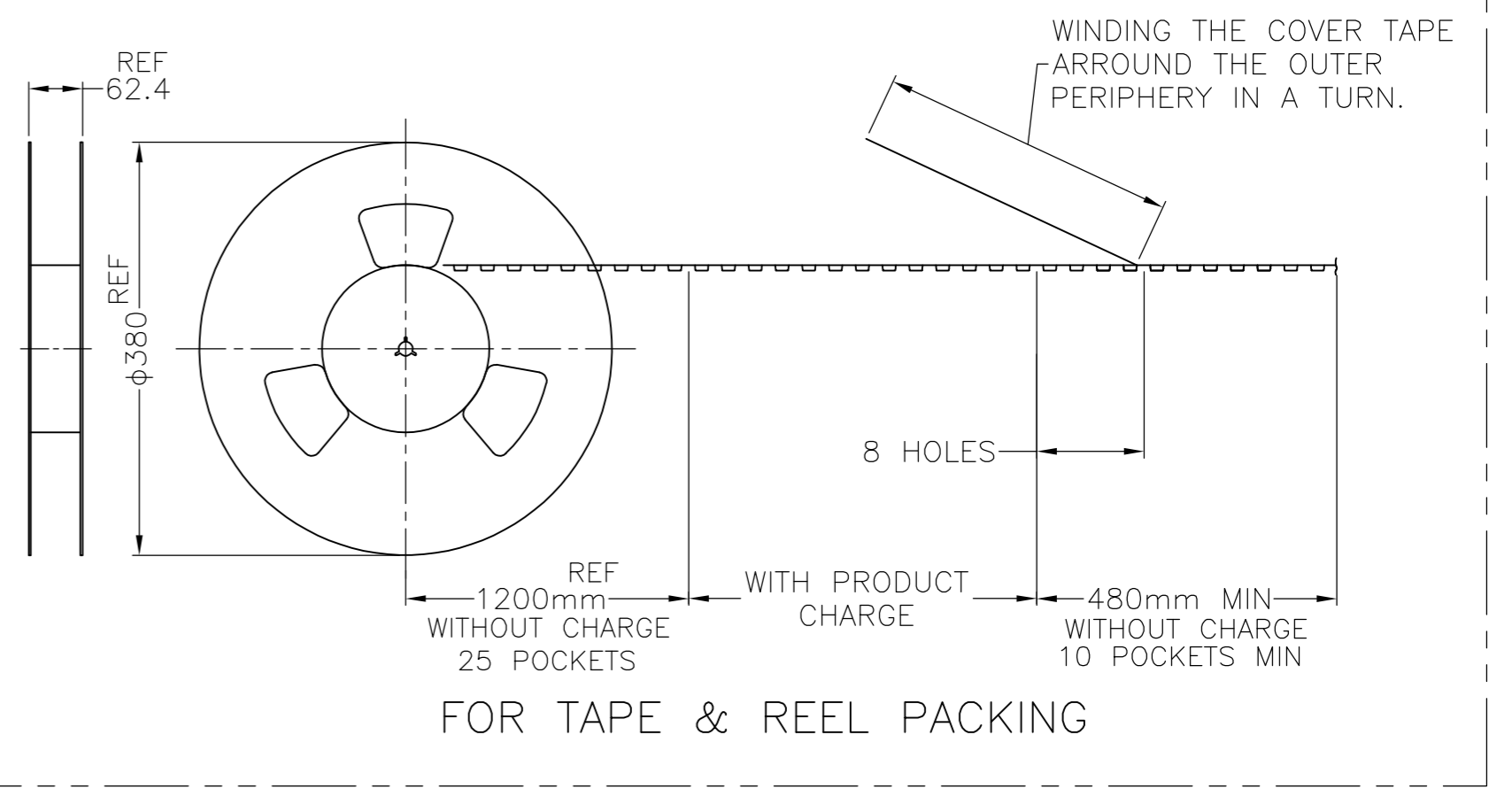
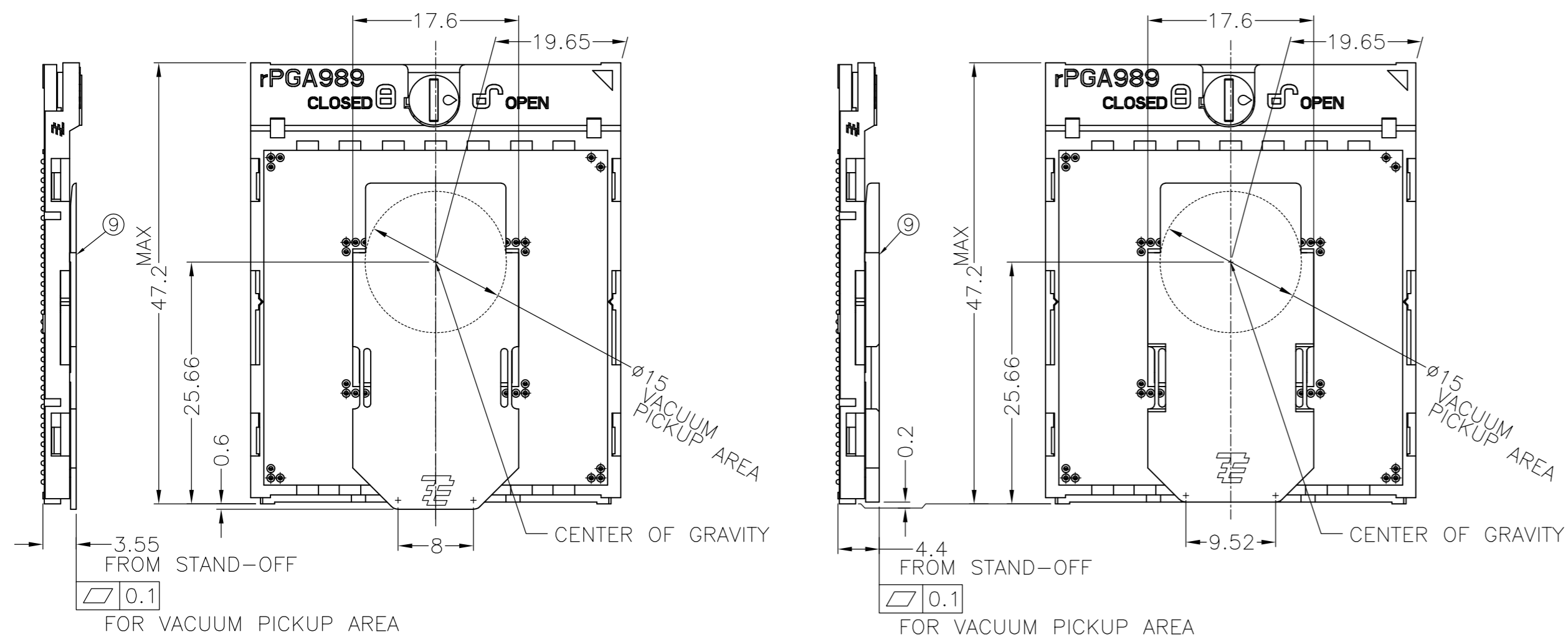
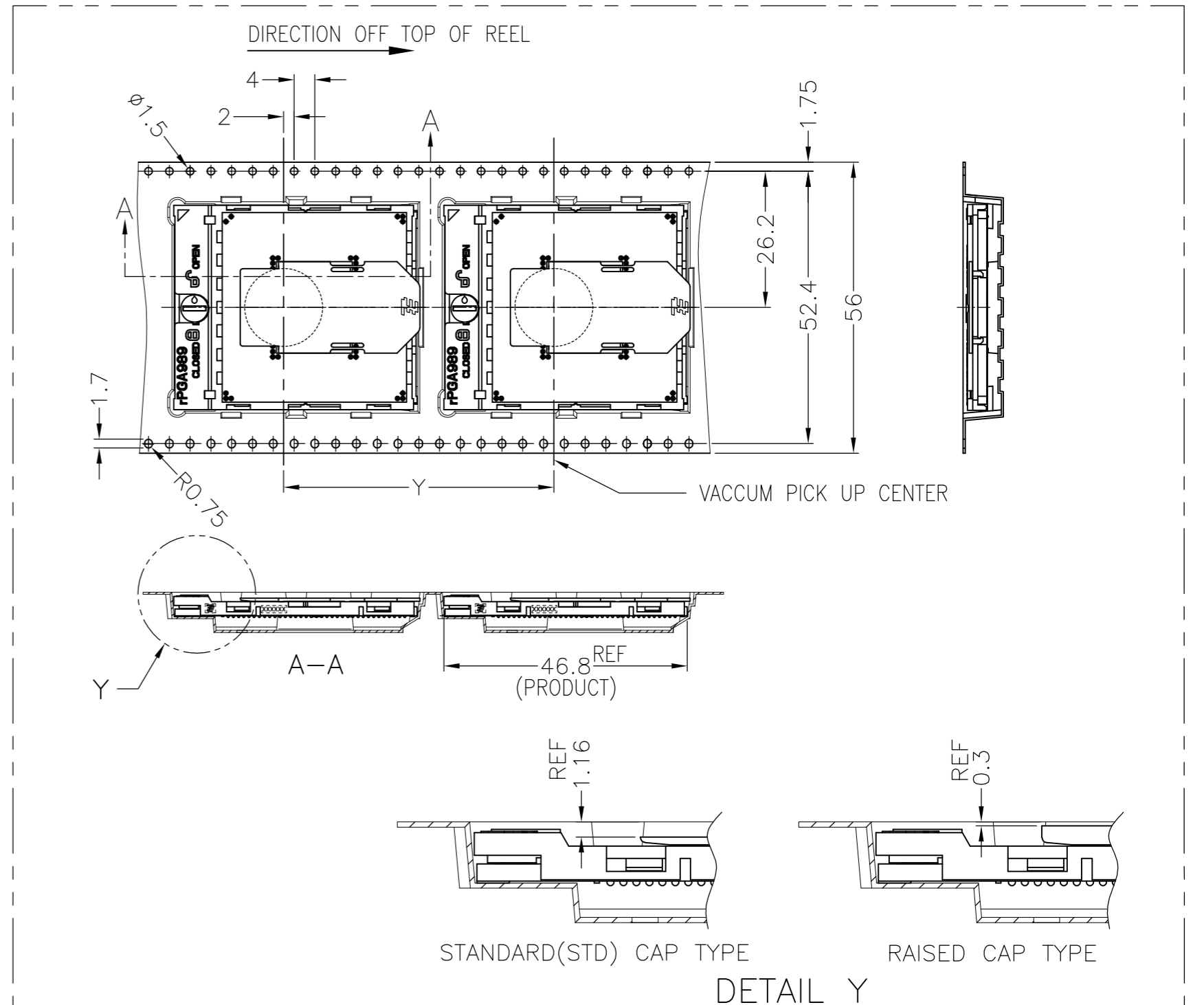
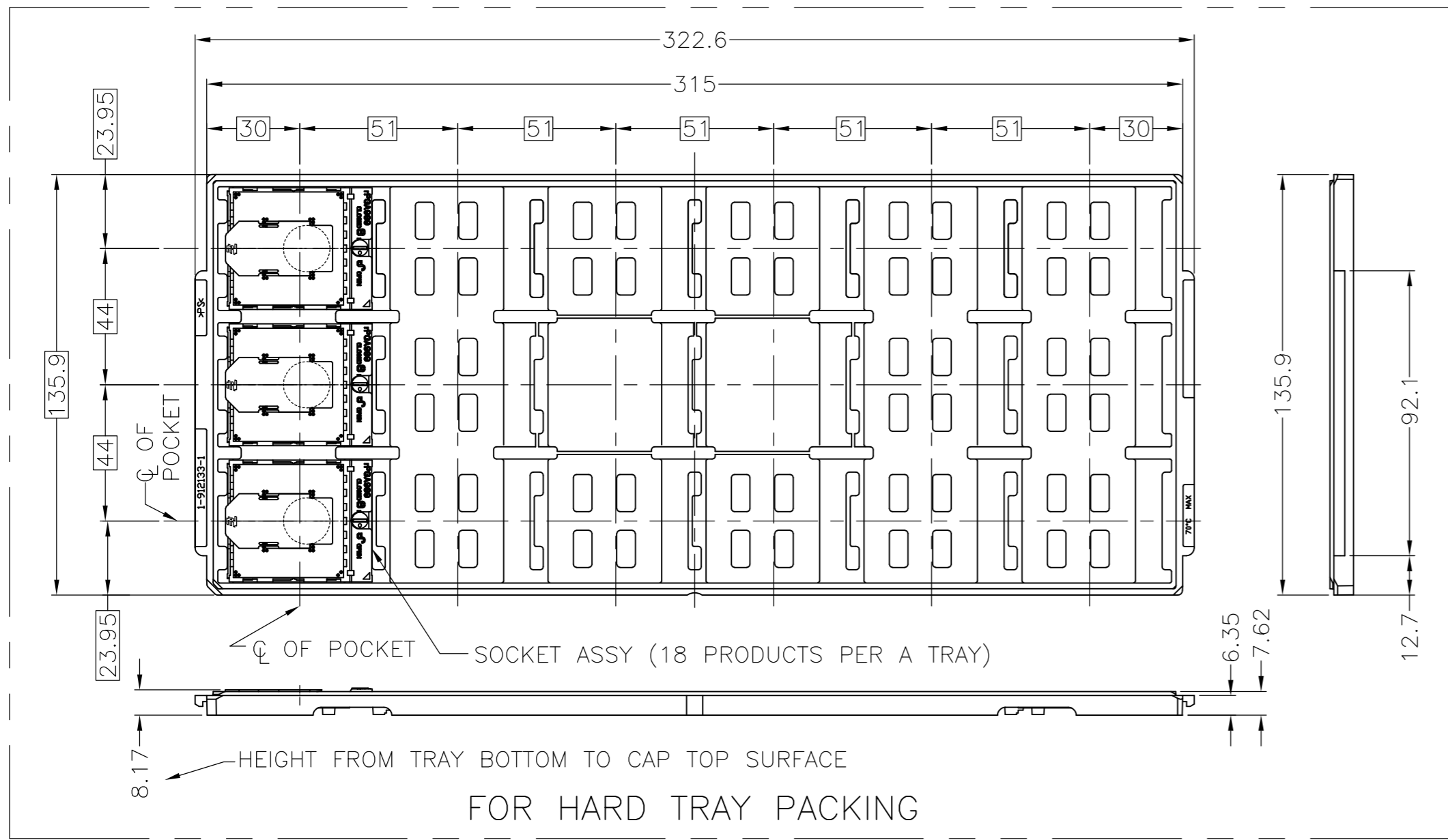


THIS DRAWING IS UNPUBLISHED. RELEASED FOR PUBLICATION
 © COPYRIGHT BY TYCO ELECTRONICS CORPORATION. ALL RIGHTS RESERVED.

LOC	DIST	REVISONS			DATE	DWN	APVD
		P	LTR	DESCRIPTION			
-	-	C1	REVISED		28MAR'10	H.T	T.N

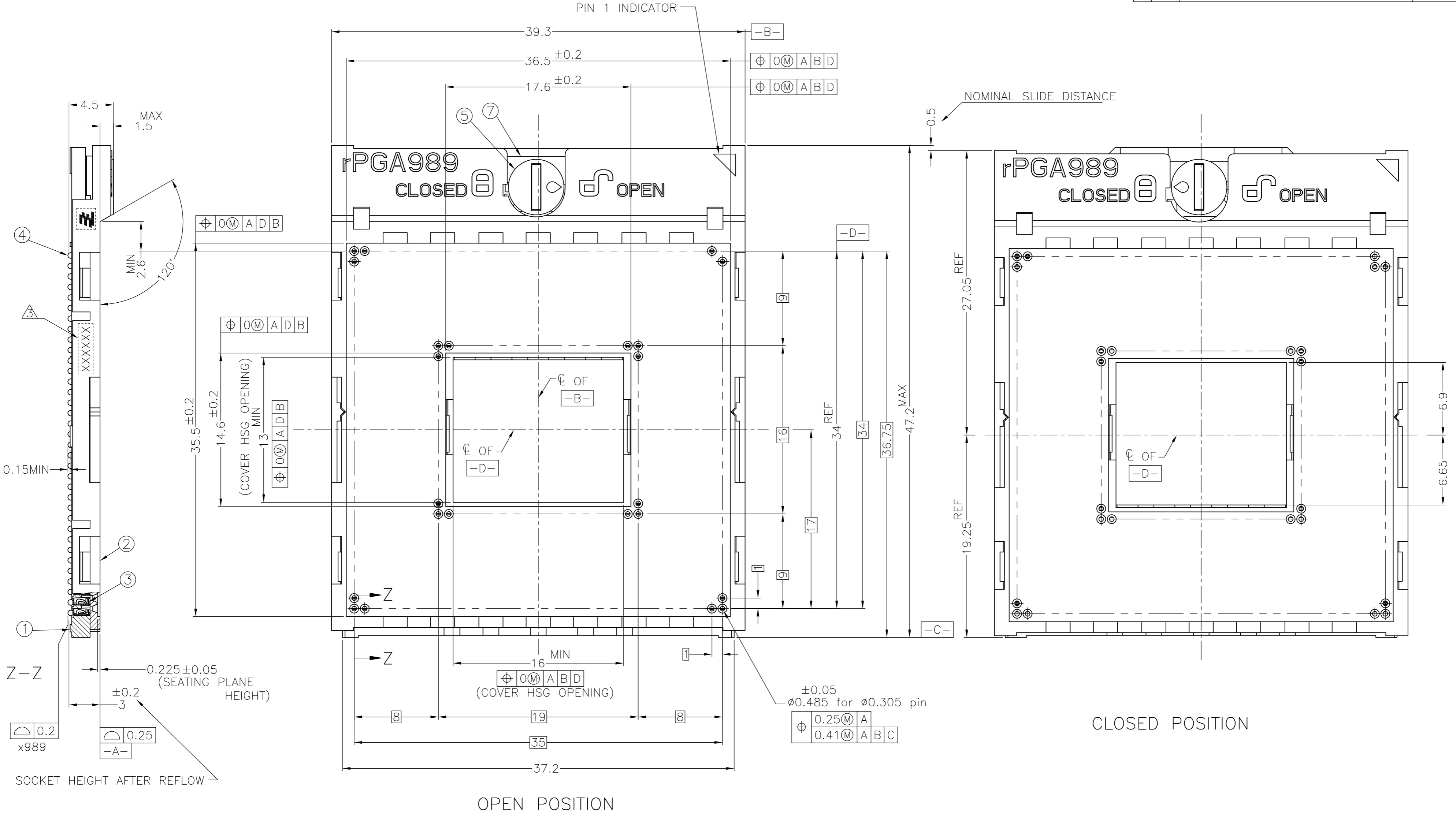


STANDARD (STD) CAP TYPE RAISED CAP TYPE
 CAP ASSY CONDITION

THIS DRAWING IS A CONTROLLED DOCUMENT.		DWN T.TOKUNAGA 22MAY2009	Tyco Electronics Corporation Kawasaki, Japan	
DIMENSIONS: 単位: 寸 mm		CHK H.TAGUCHI 22MAY2009	NAME 名称	
TOLERANCES UNLESS OTHERWISE SPECIFIED: 一般公差		APVD T.NAKASHIMA 22MAY2009	SOCKET ASSY rPGA989 & rPGA988X	
Ø-PLC ±0.3		PRODUCT SPEC 108-78587	SIZE A2	CAGE CODE 00779
1-PLC ±		APPLICATION SPEC 114-5445	DRAWING NO 2013620	RESTRICTED TO
2-PLC ±		WEIGHT SEE SHEET 3 OF 6	SCALE NTS	SHEET 1 OF 6
3-PLC ±		CUSTOMER DRAWING	REV C1	
4-PLC ±				
ANGLES ±1°				
FINISH 仕上				
SEE NOTE				

THIS DRAWING IS UNPUBLISHED. RELEASED FOR PUBLICATION
 © COPYRIGHT BY TYCO ELECTRONICS CORPORATION. ALL RIGHTS RESERVED.

LOC		DIST		REVISIONS			DATE	DWN	APVD
P	LTR	DESCRIPTION							
-	-	SEE SHEET 1			-	-	-	-	-



1. MATERIAL

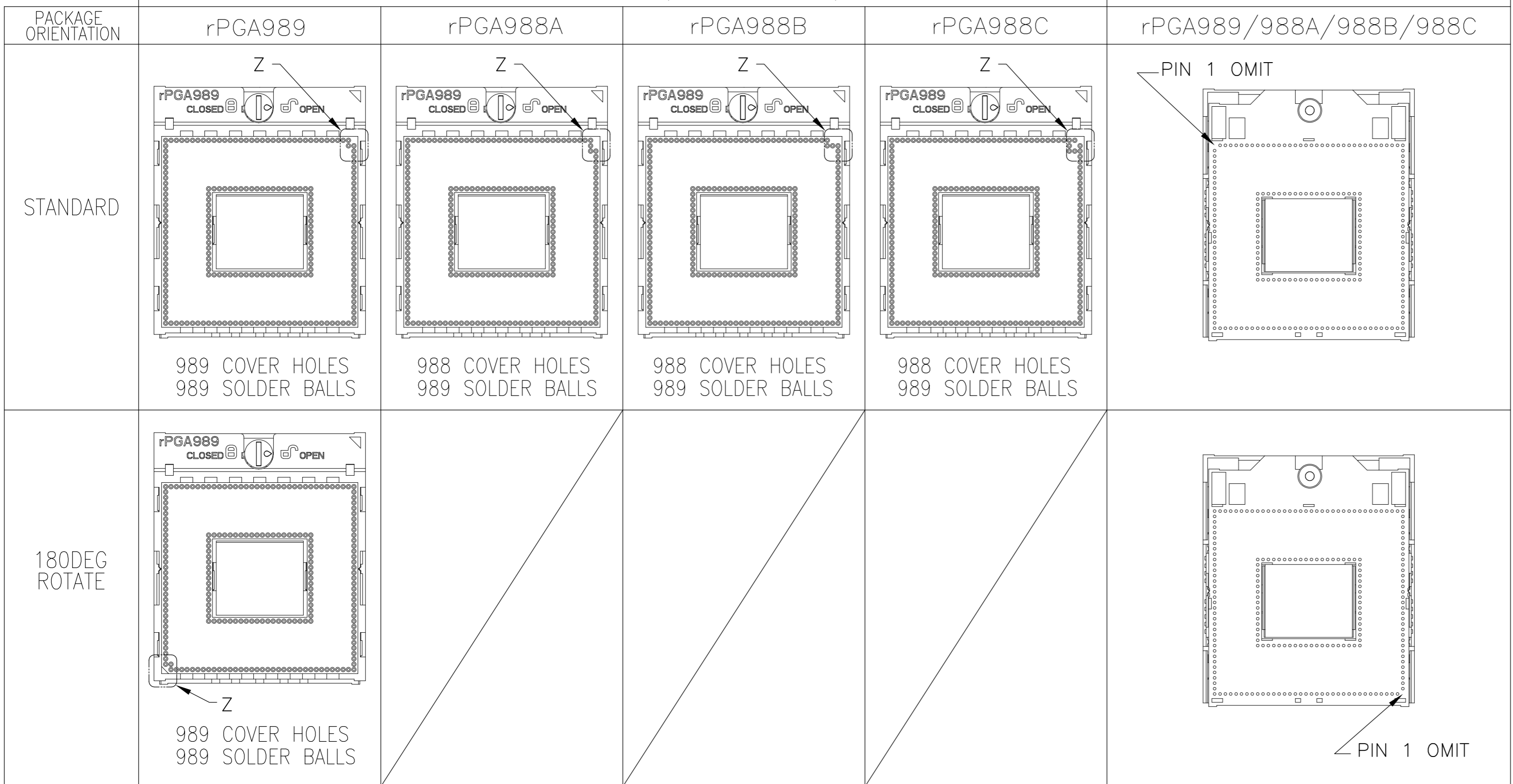
- ① BASE HOUSING : HIGH TEMP, THERMOPLASTIC, UL94V-0
 - ② COVER HOUSING : HIGH TEMP, THERMOPLASTIC, UL94V-0
 - ③ CONTACT : COPPER ALLOY
FINISH : 0.00038 MIN Au PL. AT CONTACT AREA ON ALL OVER Ni UNDER PL. 0.00127 MIN.
 - ④ SOLDER BALL : Sn/Ag/Cu
 - ⑤ CAM : STAINLESS STEEL
 - ⑥ BASE PLATE : STAINLESS STEEL
 - ⑦ SLIDE PLATE : STAINLESS STEEL
 - ⑧ WASHER : STAINLESS STEEL
 - ⑨ PnP CAP : HIGH TEMP, THERMOPLASTIC, UL94V-0, BLACK
- △ CAM OPERATION ANGLE : 180DEG
 △ INDICATED DATE CODE ON THE HSG

rPGA989 AS SHOWN
 CAP IS REMOVED

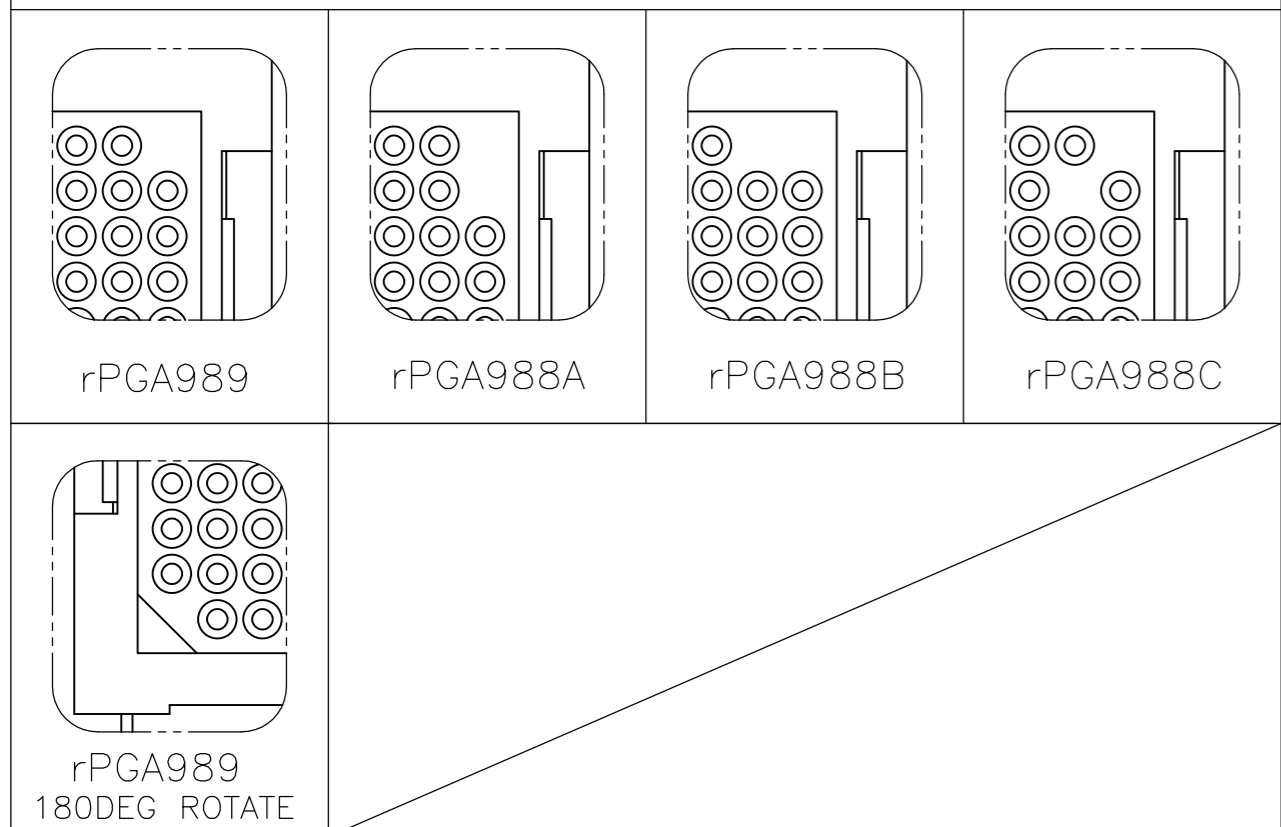
THIS DRAWING IS A CONTROLLED DOCUMENT.		DWN	01APR2008		Tyco Electronics Corporation Kawasaki, Japan
DIMENSIONS: 単位: 特 mm		CHK			
TOLERANCES UNLESS OTHERWISE SPECIFIED: 一般公差		APVD			PRODUCT SPEC 製品規格
①-PLC ± 0.3 ②-PLC ± 0.3 ③-PLC ± 0.3 ④-PLC ± 0.3 ANGLES ± 0.5 FINISH 仕上		APPLICATION SPEC 取付適用規格		DRAWING NO 番号	
MATERIAL 材料		WEIGHT		RESTRICTED TO	
		CUSTOMER DRAWING		SCALE 4:1 SHEET 2 OF 6 REV C1	

PRODUCT TOP VIEW (WITHOUT CAP)

PRODUCT BOTTOM VIEW



DETAIL Z
COVER HOLE CONFIGURATION

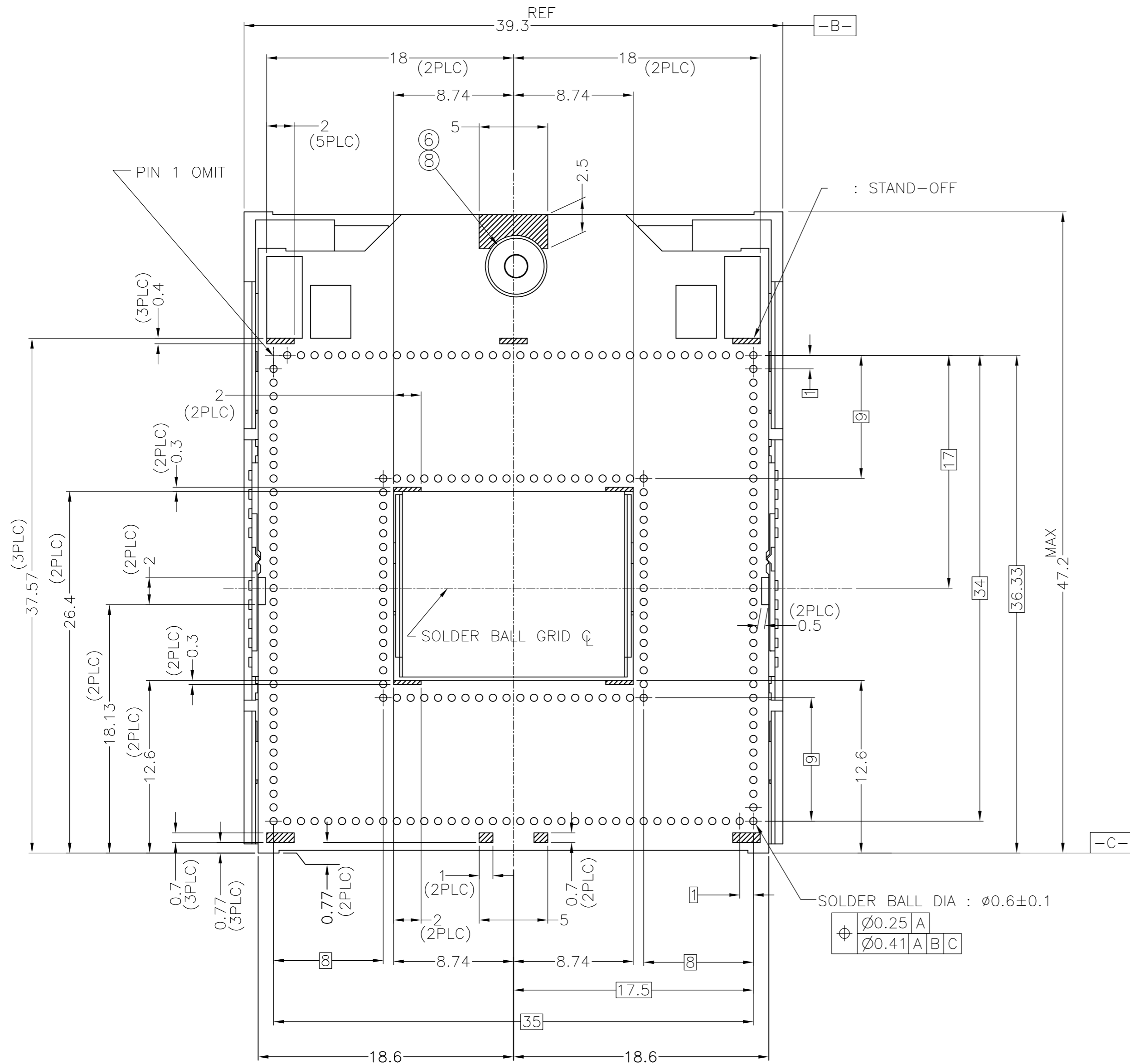


7.7	56	120	TAPE & REEL	STD	rPGA989 180DEG ROTATE	5-2013620-3
7.7	52	160	TAPE & REEL	STD	rPGA989 180DEG ROTATE	5-2013620-2
7.8	56	120	TAPE & REEL	RAISED	rPGA988B	4-2013620-5
7.8	56	120	TAPE & REEL	RAISED	rPGA988A	4-2013620-4
7.8	56	120	TAPE & REEL	RAISED	rPGA989	4-2013620-3
7.7	52	160	TAPE & REEL	STD	rPGA988C	N/A
7.7	56	120	TAPE & REEL	STD	rPGA988B	2-2013620-3
7.7	52	160	TAPE & REEL	STD	rPGA988B	2-2013620-2
7.7	56	120	TAPE & REEL	STD	rPGA988A	1-2013620-3
7.7	52	160	TAPE & REEL	STD	rPGA988A	1-2013620-2
7.7	56	120	TAPE & REEL	STD	rPGA989	2013620-3
7.7	52	160	TAPE & REEL	STD	rPGA989	2013620-2
7.7	56	120	HARD TRAY	STD	rPGA989	2013620-1
PRODUCT WEIGHT (g/SOCKET)	DIMENSION Y	SOCKET QTY PER TRAY OR REEL	PACKAGE TYPE	CAP TYPE	SOCKET TYPE	PART NO.

THIS DRAWING IS A CONTROLLED DOCUMENT.		DWN: 01APR2008	Tyco Electronics Corporation Kawasaki, Japan			
DIMENSIONS: 单位: 毫米 mm	TOLERANCES UNLESS OTHERWISE SPECIFIED: 一般公差	CHK: /	NAME 名称 SOCKET ASSY rPGA989 & rPGA988X			
	0-PLC ±0.3 1-PLC ±0.3 2-PLC ±0.3 3-PLC ±0.3 4-PLC ±0.3 ANGLES ±	APVD: /	PRODUCT SPEC 製品規格	SIZE A2	CAGE CODE 00779	DRAWING NO 番号 C=2013620
MATERIAL 材料	FINISH 仕上	WEIGHT	APPLICATION SPEC 取付適用規格	SCALE 尺度 4:1	SHEET 3 of 6	RESTRICTED TO
CUSTOMER DRAWING		REV C1				

THIS DRAWING IS UNPUBLISHED. RELEASED FOR PUBLICATION
 © COPYRIGHT BY TYCO ELECTRONICS CORPORATION. ALL RIGHTS RESERVED.

LOC		DIST		REVISIONS			
P	LTR	DESCRIPTION	DATE	DWN	APVD		
-	-	SEE SHEET 1	-	-	-		



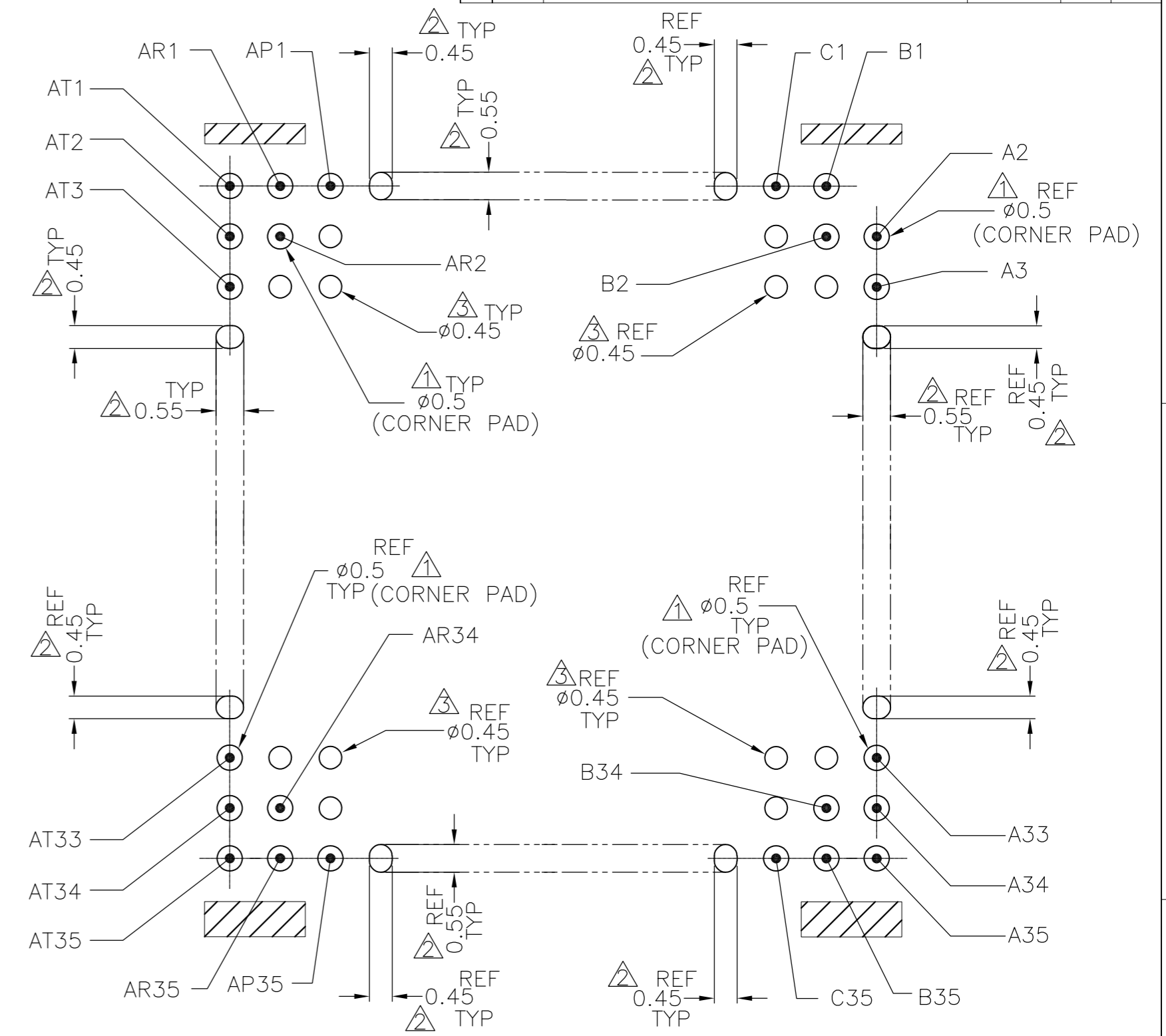
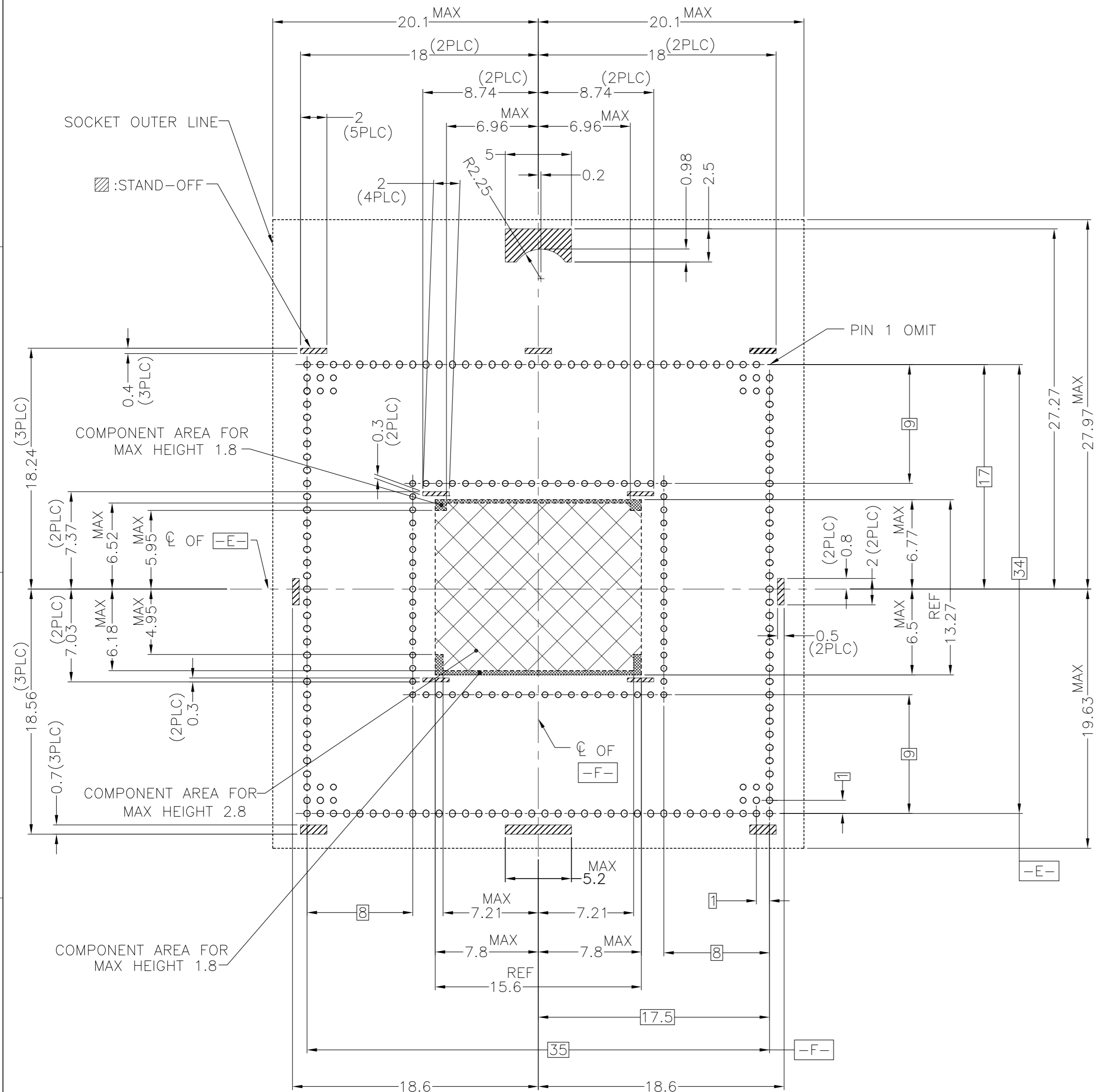
BOTTOM VIEW
(OPEN POSITION)

2013620-1 : AS SHOWN

THIS DRAWING IS A CONTROLLED DOCUMENT.		DWN	01APR2008		Tyco Electronics Corporation Kawasaki, Japan	
DIMENSIONS: 単位: 寸 mm		CHK			NAME 名称	
TOLERANCES UNLESS OTHERWISE SPECIFIED: 一般公差		APVD			PRODUCT SPEC 製品規格	
ϕ -PLC ± 0.3 1-PLC ± 0.3 2-PLC ± 0.3 3-PLC ± 0.3 4-PLC ± 0.3 ANGLES \pm		APPLICATION SPEC 取付適用規格		SOCKET ASSY rPGA989 & rPGA988X		
MATERIAL 材料	FINISH 仕上	WEIGHT	SIZE A2	CAGE CODE 00779	DRAWING NO 番号 C=2013620	RESTRICTED TO
CUSTOMER DRAWING		SCALE 尺度	4:1	SHEET 4	OF 6	REV C1

THIS DRAWING IS UNPUBLISHED. RELEASED FOR PUBLICATION. © COPYRIGHT BY TYCO ELECTRONICS CORPORATION. ALL RIGHTS RESERVED.

REVISONS			DATE	DWN	APVD
NO.	DESCRIPTION				
SEE SHEET 1					



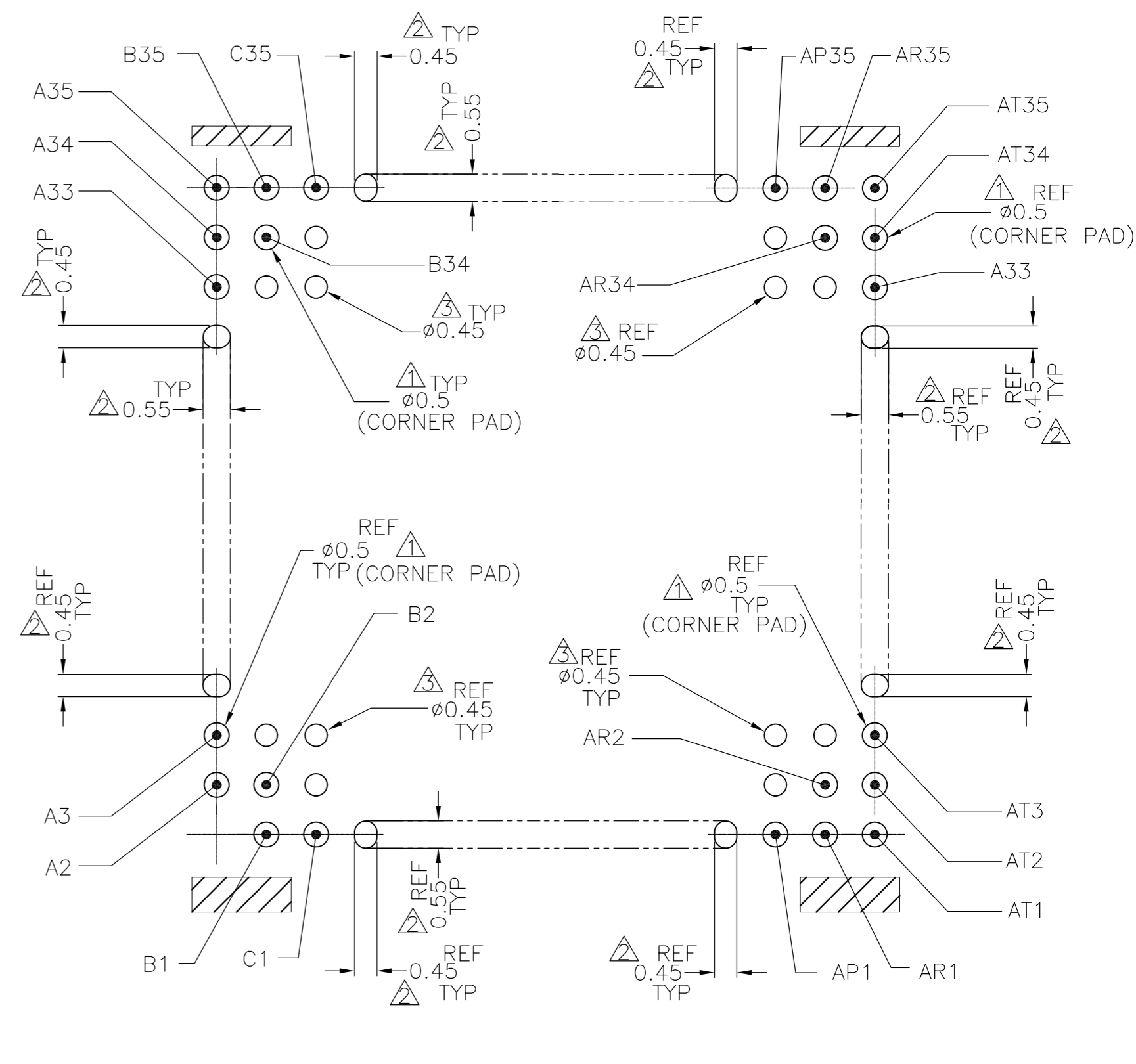
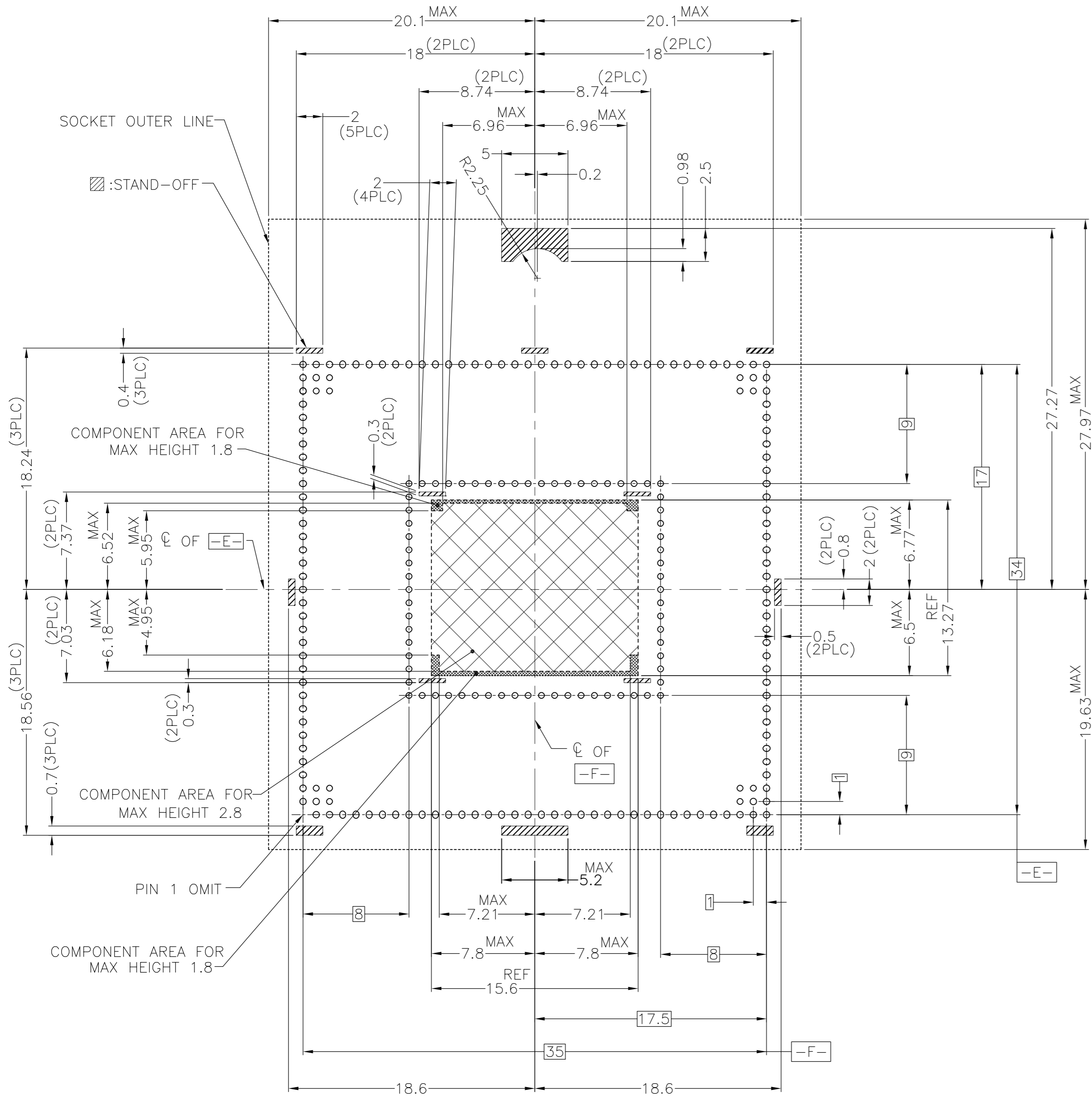
DETAIL FOR CORNER PAD

- NOTE (APPLIED TO SHEET 5 OF 6 AND 6 OF 6):
- METAL DEFINED PADS (0.5mm PAD/0.6mm SRO) OR SOLDER MASKED DEFINED PAD (0.6mm PAD WITH 0.5mm SRO) IS RECOMMENDED FOR CORNER PADS SHOWN BELOW, BUT NOT LIMITED, ANY PAD WHICH IS ON OR NEAR OUTSIDE ROWS IS ALSO APPLIED IF ROUTING PERMITS.
 - APPLIED CORNER PADS LOCATION:
A2,A3,B1,B2,C1,A33,A34,A35,B34,B35,C35, AP35,AR34,AR35,AT33,AT34,AT35,AP1,AR1,AR2,AT1,AT2,AT3
 - OBLONG-SHAPE PADS ARE RECOMMENDED FOR THE PERIPHERAL PADS EXCEPT FOR THE PADS WHICH ARE DEFINED IN Δ :
METAL DEFINED OBLONG PADS(0.45X0.55mm PAD/0.55X0.65mm SRO)
SOLDER MASKED DEFINE OBLONG PADS(0.45X0.55mm SRO)
 - ALL PADS EXCEPT FOR DEFINED IN Δ , Δ :
METAL DEFINED PADS(0.45mm min PAD/0.55-0.65mm SRO)
SOLDER MASKED DEFINED PADS(0.45mm SRO)
THE NUMBER OF SOLDER MASKED DEFINED PADS SHOULD BE MINIMIZED AND AVOIDED NEAR CORNERS OR OUTER EDGES.

PCB LAYOUT
2013620-1 AS SHOWN

THIS DRAWING IS A CONTROLLED DOCUMENT.		DWN: 01APR2008	Tyco Electronics Corporation Kawasaki, Japan	
DIMENSIONS: 单位: 毫米 mm	TOLERANCES UNLESS OTHERWISE SPECIFIED: 一般公差	CHK: -	NAME 名称: SOCKET ASSY rPGA989 & rPGA988X	
	0-PLC ±0.3 1-PLC ±0.3 2-PLC ±0.3 3-PLC ±0.3 4-PLC ±0.3 ANGLES ±	APVD: -	SIZE: A2	CAGE CODE: 00779
MATERIAL 材料	FINISH 仕上	PRODUCT SPEC 製品規格	DRAWING NO 番号: 2013620	RESTRICTED TO: -
		APPLICATION SPEC 取付適用規格	SCALE 尺度: 4:1	SHEET 5 of 6
		WEIGHT: -	CUSTOMER DRAWING	REV: C1

LOC	DIST	REVISIONS			
P	LTR	DESCRIPTION	DATE	DWN	APVD
-	-	SEE SHEET 1	-	-	-



THIS DRAWING IS A CONTROLLED DOCUMENT.		DWN: 01APR2008	Tyco Electronics Corporation Kawasaki, Japan	
DIMENSIONS: 单位: 毫米 mm	TOLERANCES UNLESS OTHERWISE SPECIFIED: 一般公差	CHK: -	NAME 名称	SOCKET ASSY rPGA989 & rPGA988X
	0-PLC ±0.3	APVD: -	SIZE	A2
	1-PLC ±	PRODUCT SPEC 製品規格	CAGE CODE	00779
MATERIAL 材料	FINISH 仕上	APPLICATION SPEC 取付適用規格	DRAWING NO 番号	C=2013620
CUSTOMER DRAWING		WEIGHT	RESTRICTED TO	-
		SCALE 尺度 4:1	SHEET 6 of 6	REV C1