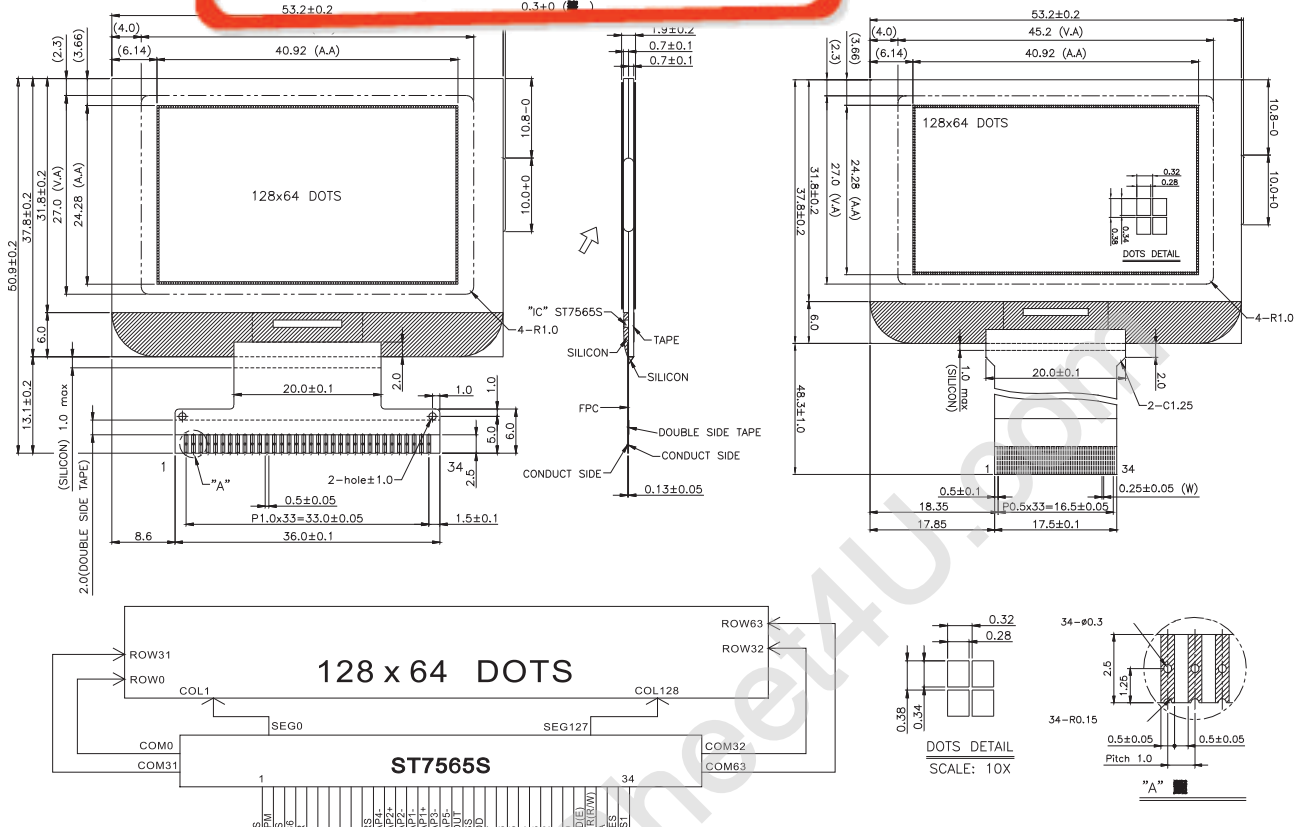


液晶之友 电话: 020-33819057  
 Http://www.lcdfriends.com

PE12864-001

PE12864-001-C1



Features:

- Resolution: 128S\*64C Dots
- Duty ratio:1/64
- LCD option: STN, FSTN
- Backlight option(H2/H1mm): None(-/1.9), LED(5.0/6.0)
- Controller IC:ST7565S

Optional:

- PE12864LRF-001-H-C1, with FPC cable for ZIF connector, LED backlight built-in.

Pin Assignment		
Pin no.	Symbol	Function
1	IRS	Selection to voltage
2	HPM	Power control terminal
3	P/S	Selection to parallel/serial data input
4	C86	Switch to 6800 or 8080 MPU interface
5	VR	Contrast adjust
6~10	V1~V5	Multi-level power supply for LCD
11	VRS	Power supply for LCD voltage regulator
12~18	CAP	Capacitor selection to DC/DC voltage
19	VOUT	DC/DC converter
20	VSS	Ground
21	VDD	Power supply
22~29	D0~D7	Data bus
30	RD(E)	Read enable
31	WR(R/w)	Read/write selection
32	A0	Selection to display or control data
33	/RES	Reset
34	/CS1	Chip selection

Absolute Maximum Rating									
Item	Symbol	Condition	Min.	Max.	Units				
Supply for logic voltage	Vdd-Vss	25°C	-0.3	5.0	V				
LCD driving supply voltage	Vdd-Vee	25°C	-4.0	-13.0	V				
Input Voltage	Vin	25°C	-0.3	Vdd+0.3	V				
Electrical Characteristics									
Item	Symbol	Condition	Min.	Typical	Max.	Units			
Power supply voltage	Vdd-Vss	25°C	3.2	3.3	3.4	V			
		Top	N	W	N	W	N	V	
		-20°C	-	-	-	-	-	V	
		0°C	-	-	-	-	-	V	
		25°C	-	9.4	-	9.6	-	9.8	V
		50°C	-	-	-	-	-	V	
LCD operation voltage	Vop	70°C	-	-	-	-	V		
		LCM current consumption (No B/L)	Idd	Vdd=3.3V	-	0.27	0.55	mA	
Backlight current consumption	LED/edge	V B/L=2.1V	-	4.0	-	mA			