



80 x 80 x 38mm  
(3.15"x 3.15" x 1.5")

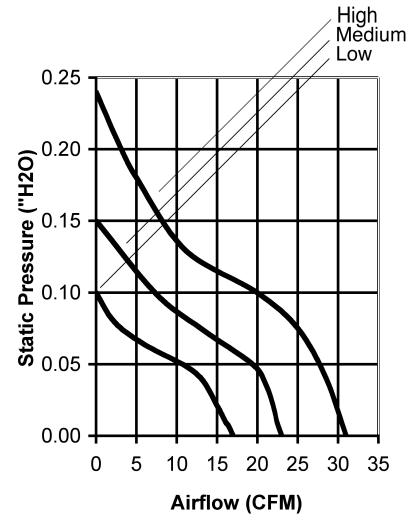


**FRAME**  
Diecast Aluminum

**IMPELLER**  
PBT, UL94V-0 Thermoplastic

**POWER CONNECTION**  
2x lead wires 300mm (12")  
or terminals

Finger Guard: G80-18  
Plastic Guard: G80P  
Aluminum Filter: WMG 80M  
Filter Kit: GRM80-30



MODEL NUMBER	SPEED (RPM)	AIRFLOW (CFM)	NOISE (DB)	VOLTS AC	VOLTAGE RANGE	WATTS	MAX. STATIC PRESSURE (H <sub>2</sub> O)
OA80AP-11-1*	3000	31	29	115	80~130	12	.24
OA80AP-11-2*	2300	23	22	115	80~130	9	.15
OA80AP-11-3*	1600	17	18	115	80~130	5	.10
OA80AP-22-1*	3000	31	29	230	160~260	12	.24
OA80AP-22-2*	2300	23	22	230	160~260	9	.15
OA80AP-22-3*	1600	17	18	230	160~260	5	.10

Dual Voltage 115/230VAC

OA80AP-11/22-1W**	3000	25	29	115/230	80~260	12	.24
OA80AP-11/22-2W**	2300	18	22	115/230	80~260	9	.15
OA80AP-11/22-3W**	1600	13	18	115/230	80~260	5	.10

\* Indicate "TB" (Terminal Ball Bearing), "WB" (12" Wire Leads, Ball Bearing), "TS" (Terminal, Sleeve Bearing), "WS" (12" Wire Leads, Sleeve Bearing)  
\*\* Indicate "B" (Ball Bearing) or "S" (Sleeve Bearing)

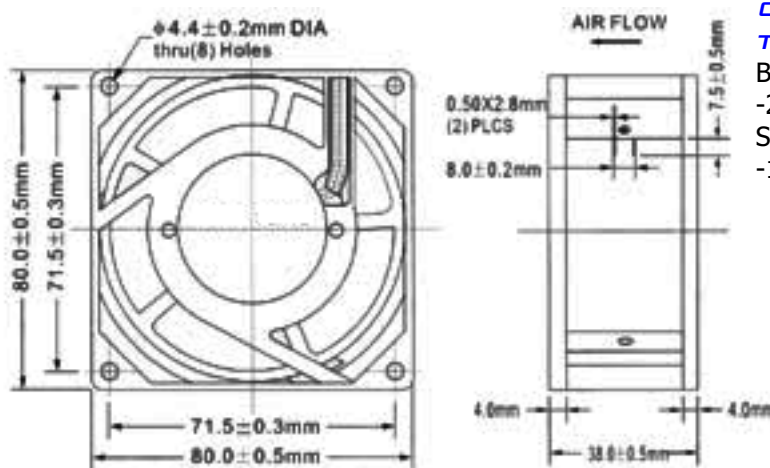
**MOTOR**

Shaded pole, Impedance and polarity protected

**DIELECTRIC STRENGTH**  
1 minute @ 1500VAC, 50/60Hz

**LIFE EXPECTANCY**

Ball Bearing  
60,000 hours (L10 at 40C)  
Sleeve Bearing  
30,000 hours (L10 at 40C)



**OPERATING TEMPERATURE**

Ball Bearing  
-20C ~ +80C  
Sleeve Bearing  
-10C ~ +50C

Drawing for dimensional reference only. Terminal type shown.

