

## Fiber Optic LAN Components Connectorized PIN Plus Preamplifier

# HFD3381-102

### FEATURES

- Prealigned SC Connector sleeve
- Data rates from 622 Mbps to 2.5 Gbps
- PIN detector and preamplifier in a TO-46 hermetic package
- 3.3V operation
- GaAs PIN detector and BiCMOS preamplifier
- Differential Output for low noise
- 2.4 GHz typical Bandwidth



The HFD3381-102 is a high-performance 850nm GaAs detector and pre-amplifier packaged for high-speed data communications. The product is designed for ease of use by the module designer or manufacturer for data rates from 622 Mbps to 2.5 Gbps.

The HFD3381-102 converts optical power into an electrical signal that is used in fiber optic communications and other applications. As the light increases, the output voltage increases, limiting at input powers above  $-10\text{dBm}$ . The differential output is designed to be AC coupled into a data amplifier. The pre-aligned and lensed package with an industry standard SC style connector sleeve, allows for "drop in" assembly to reduce manufacturing cost.

The Honeywell HFD3381-102 is designed to interface with 50/125 and 62.5/125mm multimode fiber.

# Fiber Optic LAN Components

## Connectorized PIN Plus Preamplifier

HFD3381-102

### ABSOLUTE MAXIMUM RATINGS

Parameter	Rating
Storage Temperature	-40 to +85°C
Case Operating Temperature	0 to +70°C
Lead Solder Temperature	260°C, 10 sec.
Power Supply Voltage	3.8 V
Incident Optical Power	0 dBm average, +4 dBm peak

### NOTICE

Stresses greater than those listed under “Absolute Maximum Ratings” may cause permanent damage to the device. This is a stress rating only and functional operation of the device at these or any other conditions above those indicated in the operations section for extended periods of time may affect reliability.

### ELECTRO-OPTICAL CHARACTERISTICS (V<sub>cc</sub>=3.3V, AC coupled to 50Ω, 0°C<T<70°C unless otherwise specified)

Parameters	Test Condition	Symbol	Min.	Typ.	Max.	Units	Notes
<b>Electrical Characteristics</b>							
Supply Voltage	P <sub>in</sub> = 0μW, R <sub>load</sub> =50Ω	V <sub>cc</sub>	3.0	3.3	3.8	Volts	1
Supply Current	P <sub>in</sub> = 0μW, R <sub>load</sub> =50Ω	I <sub>cc</sub>		26	50	mA	1
Output Voltage	P <sub>in</sub> = 100μW, R <sub>load</sub> =50Ω	V <sub>out</sub>		200	500	mV	1
<b>Opto-Electronic Characteristics</b>							
Responsivity	P <sub>in</sub> = 20μW peak, R <sub>load</sub> =50Ω	R		1600		μV/μW	2,3
Upper 3dB Bandwidth		BW <sub>upper</sub>	2000	2400	2800	MHz	4
RMS Output Referred Noise	P <sub>in</sub> =0μW, R <sub>load</sub> =50Ω 1875 MHz BT Filter			500		nW	5
Sensitivity	BER=10 <sup>-12</sup> , SNR=7	S	-17	-20		dBm	
Power Supply Rejection Ratio	P <sub>in</sub> =0μW, R <sub>load</sub> =50Ω	PSRR	10	30		dB	6
Pulse Width Distortion	P <sub>in</sub> =20μW peak, R <sub>load</sub> =50Ω	PWD			40	ps	7
Rise/Fall Time	P <sub>in</sub> =20μW peak, R <sub>load</sub> =50Ω	T <sub>R</sub> /T <sub>F</sub>			250	ps	8
Wavelength Responsivity	P <sub>in</sub> =20μW peak, R <sub>load</sub> =50Ω	λ	760	850	860	nm	

### Notes:

- Pin refers to the total optical power at the face of the fiber optic cable input to the HFD3381-102.
- Responsivity measured with source wavelength of 850nm, 125MHz square wave, P<sub>in</sub>=20μW peak, R<sub>load</sub>=50Ω.
- The output voltage increases as received light power increases, up to approximately -15dBm. The preamplifier is designed to limit the electrical output signal above this optical input level, and does not introduce signal distortion until the average input power exceeds 0dBm.
- Bandwidth is measured with a small signal sinusoidal light source with 50 μW average power, R<sub>load</sub>=50Ω.
- RMS input referred optical noise is obtained by measuring the RMS output referred noise, then dividing by the responsivity.
- PSRR is measured from 300KHz to 1GHz by injecting a -20dB electrical signal on the V<sub>cc</sub> pin. The nominal value at 100MHz is recorded. No external bypass components are assumed. An external V<sub>cc</sub> filter network will greatly increase the PSRR.
- Measured at the 50% level of output pulses using 0.5 GHz square wave with <200 ps rise time.
- Rise and fall times are measured with source wavelength of 850nm, 125MHz square wave, with optical rise and fall times < 200ps, P<sub>in</sub>=20μW peak, R<sub>load</sub>=50Ω.

### NOTICE

The inherent design of this component causes it to be sensitive to electrostatic discharge (ESD). To prevent ESD-induced damage and/or degradation to equipment, take normal ESD precautions when handling this product

# Fiber Optic LAN Components

## Connectorized PIN Plus Preamplifier

HFD3381-102

FIGURE 1: INTERNAL SCHEMATIC DIAGRAM OF THE HFD3381-102

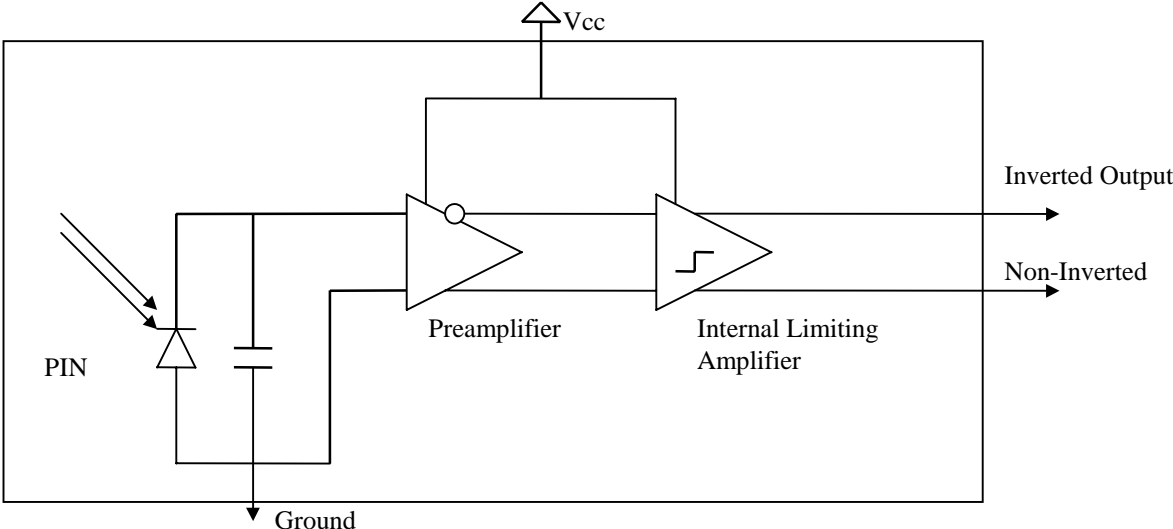
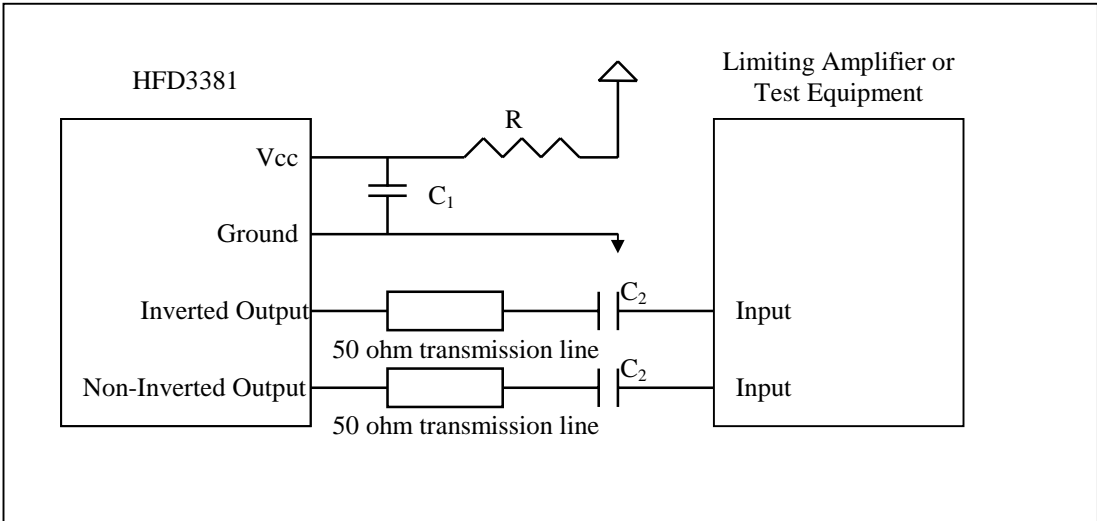


FIGURE 2: RECOMMENDED INTERFACE CIRCUIT FOR THE HFD3381-102



- R=10 Ω
- C<sub>1</sub> = 10 nF
- C<sub>2</sub> = Data rate dependant (22nF for rates > 1Gbps)

# Fiber Optic LAN Components

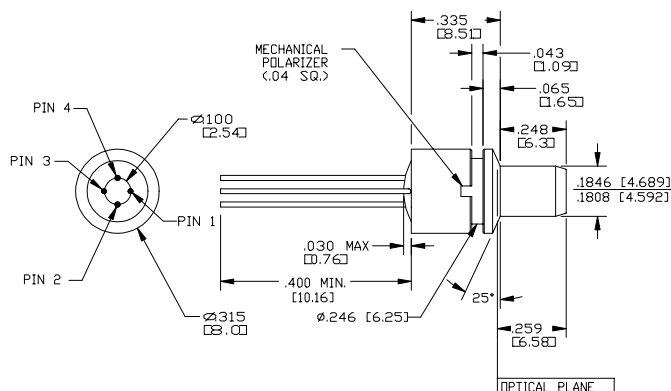
## Connectorized PIN Plus Preamplifier

# HFD3381-102

### ORDER GUIDE

Catalog Listing	Description
HFD3381-102	Connectorized PIN Plus Preamplifier

### MOUNTING DIMENSIONS (for reference only) in./.(mm)



### PINOUT

Number	Function
1 *	V <sub>CC</sub>
2	Inverted Output
3	Ground
4	Non Inverted Output

\* Aligned with the Receptacle notch

\* VCC is cut shorter

### WARRANTY/REMEDY

Honeywell warrants goods of its manufacture as being free of defective materials and faulty workmanship. Commencing with the date of shipment, Honeywell's warranty runs for 18 months. If warranted goods are returned to Honeywell during that period of coverage, Honeywell will repair or replace without charge those items it finds defective. The foregoing is Buyer's sole remedy and is **in lieu of all other warranties, expressed or implied, including those of merchantability and fitness for a particular purpose.**

While we provide application assistance, personally and through our literature, it is up to the customer to determine the suitability of the product in the application.

Specifications may change at any time without notice. The information we supply is believed to be accurate and reliable as of this printing. However, we assume no responsibility for its use.

### SALES AND SERVICE

Honeywell Sensing and Control serves its customers through a worldwide network of sales offices and distributors. For application assistance, current specifications, pricing or name of the nearest Authorized Distributor, contact a nearby sales office or call:

### TELEPHONE

1-800-367-6786 (USA)  
 1-800-737-3360 (Canada)  
 +49 (0) 89 35813310 (Germany)  
 +65-580-3312 (Singapore)  
 +44 (0) 118 981 9511 (UK)

### FAX

1-972-470-4326 (Customer Response Center)  
 1-972-470-4549 (Fax on demand)  
 +49 (0) 89 3599971 (Germany)  
 +65 445 3033 (Singapore)  
 +44 (0) 118 981 7513 (UK)

### INTERNET

<http://www.honeywell.com/sensing/VCSEL>  
 INFO.SC@HONEYWELL.COM

9/1/01

# Honeywell

Honeywell Inc.  
 11 West Spring Street  
 Freeport, Illinois 61032



Honeywell Inc.  
 Optoelectronics Facility  
 830 East Arapaho Road  
 Richardson, Texas 75081

**Honeywell Control Systems Ltd.**  
 Zodiac House  
 Calleva Park  
 Aldermaston, Berkshire  
 RG7 8HW England

*Helping You Control Your World*



Printed with Soy Ink  
 on 50% Recycled Paper

006697-1-EN IL50 GLO 797 Printed in USA