

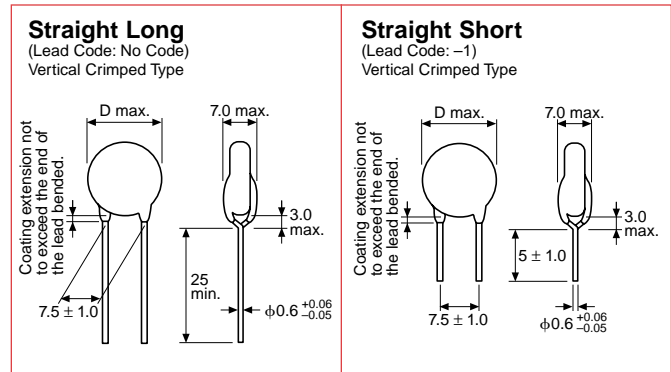
LEADED CAPACITORS, NETWORKS & HV CAPACITORS

SAFETY RECOGNIZED CAPACITORS-KH TYPE

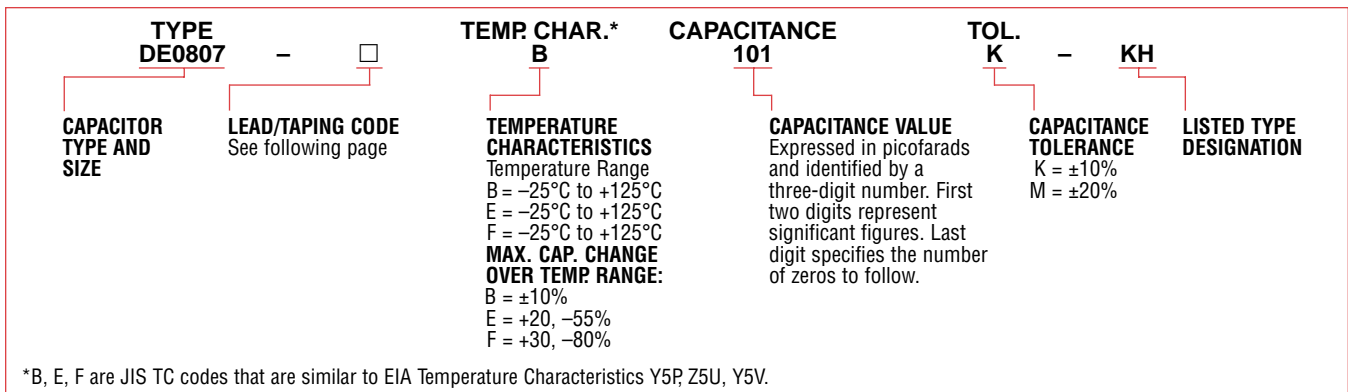
250VAC (400VAC GUARANTEED), X1/Y2 RATED



DIMENSIONS: mm



PART NUMBERING SYSTEM



*B, E, F are JIS TC codes that are similar to EIA Temperature Characteristics Y5P, Z5U, Y5V.
Temperature Range to +125°C. (85°C: UL, CSA, VDE)

*900 pcs. for KH type

Part Number (□: optional lead code shown at the right)	Nominal Capacitance (pF)	Max. Body Diameter D (mm)	□: Lead Configuration/Lead Code			
			Straight Long	Straight Short	Taping*1	
DE0807□B101K-KH	100	8	No Code	-1	-486	-
DE0807□B151K-KH	150					
DE0807□B221K-KH	220					
DE0807□B331K-KH	330					
DE0807□B471K-KH	470					
DE0907□B681K-KH	680	9				
DE0807□E102M-KH	1000	8				
DE1007□B102K-KH	1000	10				
DE0907□E152M-KH	1500	9				
DE1007□E222M-KH	2200	10				
DE1207□E332M-KH	3300	12				
DE1307□E472M-KH	4700	13				
DE1607□F103M-KH	10000	16	-	-477		

*See page 96 for specifications.

*900 pcs. for KH type

LEADED CAPACITORS NETWORKS, AND HV CAPACITORS

LEADED CAPACITORS, NETWORKS & HV CAPACITORS

SAFETY RECOGNIZED CAPACITORS—KH TYPE

250VAC (400VAC GUARANTEED), X1/Y2 RATED

STANDARD NO. RECOGNIZED NO.

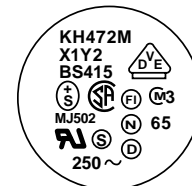
	Standard No.	Recognized No.		Rated Voltage
		Japan	Taiwan	
UL	UL 1414	E37921		250VAC
CSA	C22.2 No. 1	LR36214	LR44559	
BSI	BSEN60065 (1994)	227636		
SEMKO		9503155		
SEV		94, 1 00952		
VDE	IEC384-14 2nd edition (1993)	83663, 83665, 83667	83664, 83666, 83668	
FIMKO		180451	180450	
NEMKO		P95100388	P95100518	
DEMKO		113878JJa		
SAA	AS3250	CS6529N		

FEATURES

- Operating temperature range guaranteed up to 125°C (UL/CSA: 85°C)
- IEC384-14 2nd edition (1993) Class X1, Y2
- The type KH is recognized by UL/CSA/BSI/SEMKO/SEV/VDE/FIMKO/NEMKO/DEMKO/SAA.
- Coated with flame-retardant epoxy resin (conforming to UL94V-0 standards)
- Suitable for automatic insertion

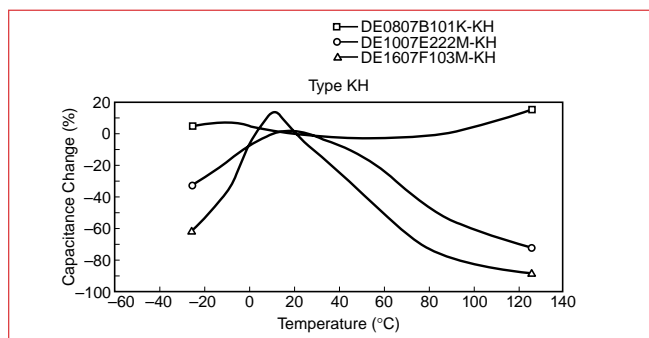
TYPICAL MARKING

Item		Example
UL Approval Mark		Marking on one side.
CSA Approval Mark		
BSI Approval Mark	BS415	
SEMKO Approval Mark		
SEV Approval Mark	 MJ502	
VDE Approval Mark		
FIMKO Approval Mark		
NEMKO Approval Mark		
DEMKO Approval Mark		
IEC384-14 Class Code	X1,Y2	
Rated Voltage Mark	250~	
Type Designation	KH	
Nominal Capacitance	—	
Capacitance Tolerance	—	
Manufacturer's Identification		
Manufactured Date Code	—	

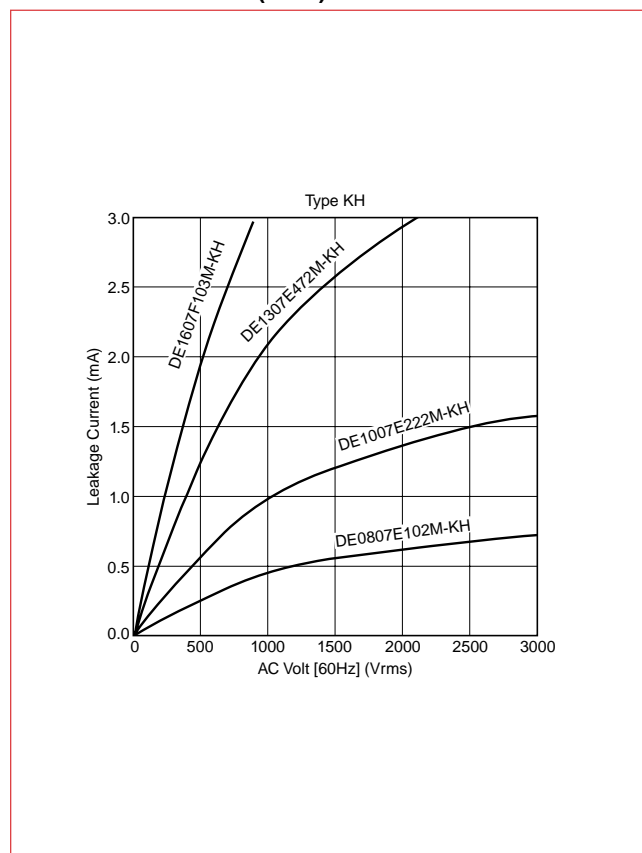


For DE1307E472M-KH

CAPACITANCE-TEMPERATURE CHARACTERISTICS



LEAKAGE CURRENT (23°C)



IMPEDANCE-FREQUENCY CHARACTERISTICS

