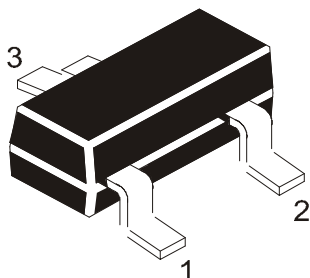
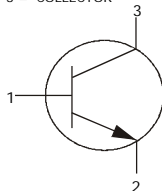


**NPN SILICON PLANAR EPITAXIAL TRANSISTOR****CSC3930****SOT-23****Formed SMD Package****PIN CONFIGURATION (NPN)**

1 = BASE  
2 = EMITTER  
3 = COLLECTOR

**Marking Symbol : V****Complementary CSA1532****Optimum for RF Amplification of FM/AM Radios****ABSOLUTE MAXIMUM RATINGS (T<sub>a</sub>=25°C)**

DESCRIPTION	SYMBOL	VALUE	UNITS
Collector Base Voltage	V <sub>CBO</sub>	30	V
Collector Emitter Voltage	V <sub>CEO</sub>	20	V
Emitter Base Voltage	V <sub>EBO</sub>	5	V
Collector Current	I <sub>C</sub>	30	mA
Collector Power Dissipation	P <sub>C</sub>	150	mW
Junction Temperature	T <sub>j</sub>	150	°C
Storage Temperature	T <sub>stg</sub>	- 55 to +150	°C

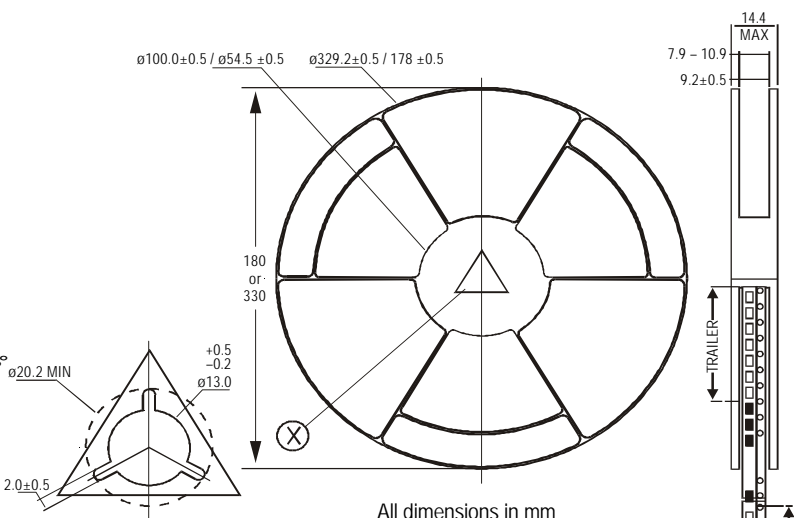
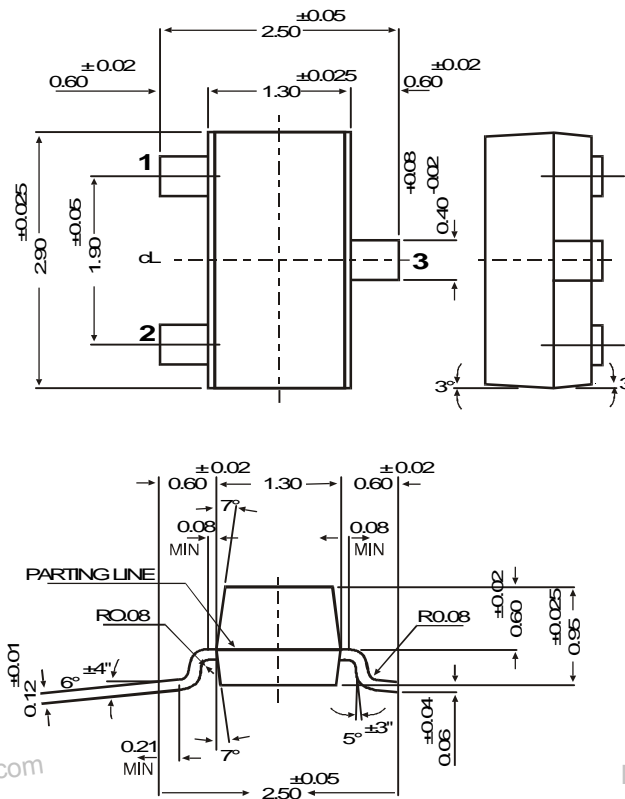
**Electrical Characteristics (T<sub>a</sub>=25°C unless specified otherwise)**

DESCRIPTION	SYMBOL	CONDITIONS	MIN	TYP	MAX	UNIT
Collector Cut Off Current	I <sub>CBO</sub>	V <sub>CB</sub> = 10V, I <sub>E</sub> = 0			0.1	μA
DC Current Gain	*h <sub>FE</sub>	V <sub>CB</sub> = 10V, I <sub>E</sub> = -1mA	70		220	
Transition Frequency	f <sub>T</sub>	V <sub>CB</sub> =10V, I <sub>E</sub> = -1mA, f=200 MHz	150			MHz
Noise Figure	NF	V <sub>CB</sub> =10V, I <sub>E</sub> = -1mA, f = 5MHz			4	dB
Reverse Transfer Impedance	Z <sub>rb</sub>	V <sub>CB</sub> =10V, I <sub>E</sub> = -1mA, f=2MHz			50	Ω
Common Emitter Reverse-Transfer Capacitance	C <sub>re</sub>	V <sub>CE</sub> =10V, I <sub>c</sub> = 1mA, f=10.7 MHz			1.5	pF

**\*h<sub>FE</sub> Classification****B : 70 - 140****C : 110 - 220****Marking****VB****VC**

SOT-23 Formed SMD Package

SOT-23 Package Reel Information  
Reel Specifications for W Packing (13" and 7")

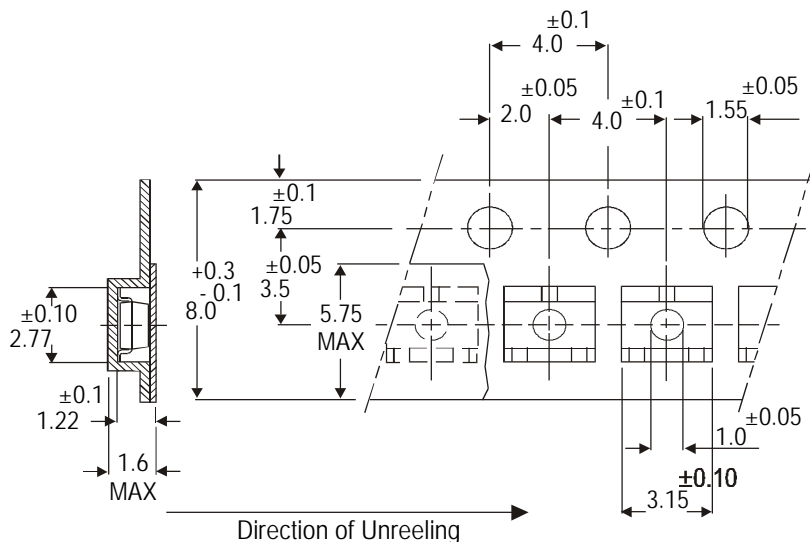


All dimensions in mm  
330 / 180 mm – Antistatic Coated Plastic Reel

NOTES:

- |                | 8mm Tape Size of Reel | 8mm Tape Size of Reel |
|----------------|-----------------------|-----------------------|
|                | 330 mm (13")          | 180 mm (7")           |
| No. of Devices | 10,000 Pcs            | 3,000 Pcs             |
- The bandolier of 330 mm reel contains at least 10,000 devices.
  - The bandolier of 180 mm reel contains at least 3,000 devices.
  - No more than 0.5% missing devices / reel. 50 empty compartments for 330 mm reel. 15 empty compartments for 180 mm reel.
  - Three consecutive empty places might be found provided this gap is followed by 6 consecutive devices.
  - The carrier tape (leader) starts with at least 75 empty positions (equivalent to 330 mm). In order to fix the carrier tape a self adhesive tape of 20 to 50 mm is applied. At the end of the bandolier at least 40 empty positions (equivalent to 160 mm) are there.

Tape Specification for SOT-23 Surface Mount Device



All dimensions in mm

Packing Detail

PACKAGE	STANDARD PACK		INNER CARTON BOX		OUTER CARTON BOX		
	Details	Net Weight/Qty	Size	Qty	Size	Qty	Gr Wt
SOT-23 T&R	3K/feol	136 gm/3K pcs	3" x 7.5" x 7.5"	12 K	17" x 15" x 13.5"	192 K	12 kgs
	10K/feol	415 gm/10K pcs	9" x 9" x 9"	51 K	19" x 19" x 19"	408 K	28 kgs
			13" x 13" x 0.5"	10 K	17" x 15" x 13.5"	300 K	16 kgs

et4U.com

DataSheet4U.com

### Disclaimer

The product information and the selection guides facilitate selection of the CDIL's Discrete Semiconductor Device(s) best suited for application in your product(s) as per your requirement. It is recommended that you completely review our Data Sheet(s) so as to confirm that the Device(s) meet functionality parameters for your application. The information furnished in the Data Sheet and on the CDIL Web Site/CD are believed to be accurate and reliable. CDIL however, does not assume responsibility for inaccuracies or incomplete information. Furthermore, CDIL does not assume liability whatsoever, arising out of the application or use of any CDIL product; neither does it convey any license under its patent rights nor rights of others. These products are not designed for use in life saving/support appliances or systems. CDIL customers selling these products (either as individual Discrete Semiconductor Devices or incorporated in their end products), in any life saving/support appliances or systems or applications do so at their own risk and CDIL will not be responsible for any damages resulting from such sale(s).

CDIL strives for continuous improvement and reserves the right to change the specifications of its products without prior notice.



CDIL is a registered Trademark of  
Continental Device India Limited

C-120 Naraina Industrial Area, New Delhi 110 028, India.

Telephone + 91-11-2579 6150, 5141 1112 Fax + 91-11-2579 5290, 5141 1119

email@cdil.com www.cdilsemi.com