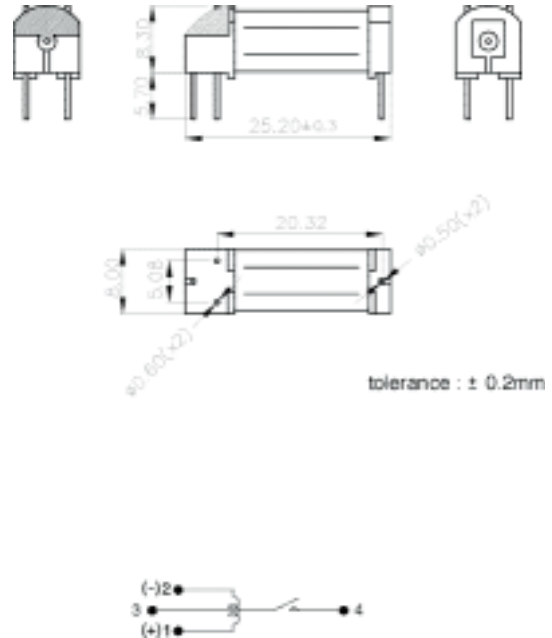


Outside Dimension:Unit (mm)



Absolute Maximum Ratings

(AT=20°C)

COIL RATINGS	Rating	Unit
Coil resistance	700	(±10%)
Nominal coil voltage	9	VDC
Maximun Continuous voltae	15	VDC
Must operate	6.3	VDC
Must release	0.9	VDC
Rated current	12.9	mA

ELECTRONCAL CHARACTERISTICS	Rating	Unit
Contact resistance	150	mΩ (max)
Operate time	1.0	ms (max)
Bounce time	0.5	ms (max)
Release time	0.5	ms (max)
Insulation resistance (100 VDC open contact)	10 ⁹	Ω (min)
(between coil & contact 500VDC)	10 ⁸	Ω (min)
Power	10	VA (max)
Switching voltage	100	VDC (max)
Switching current	0.5	A (max)
Carry current	1.0	A (max)
Breakdown voltage (across open contact)	200	VDC (1sec)
(between coil & contact)	3000	VDC (1sec)
Life expectancy (6V, 10mA)	10 ⁷	
Temperature Range	-30 to 60	°C
Humidity Range	-45 to 85%	RH.
Shock Endurance	100	G (min)
Shock Error Operation	13	G (min)
Vibration Endurance	10 to 55	Hz Double Amplitude 1.5mm
Vibration Error Operation	10 to 55	Hz Double Amplitude 1.5mm
Minimun permissible load		1VDC, 1mA