

SILICON SENSORS, INC.

Highway 18 East
Dodgeville, Wisconsin 53533
Telephone: (608) 935-2707

optically coupled isolator

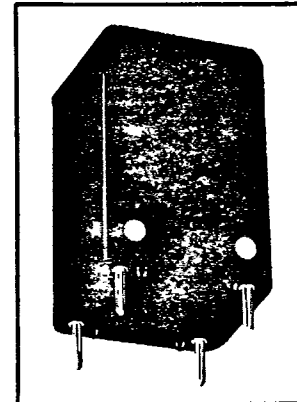
SSC-600

TECHNICAL BULLETIN

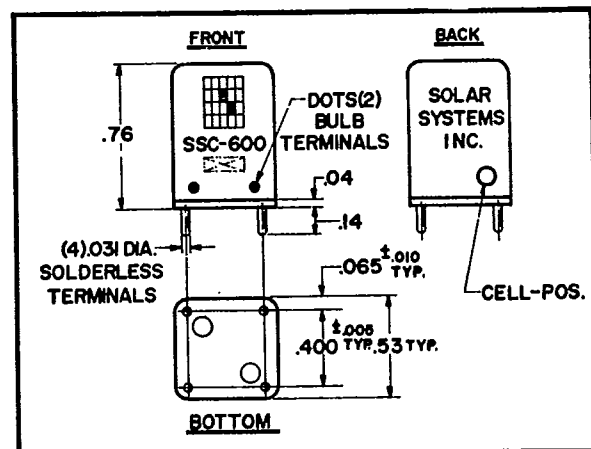
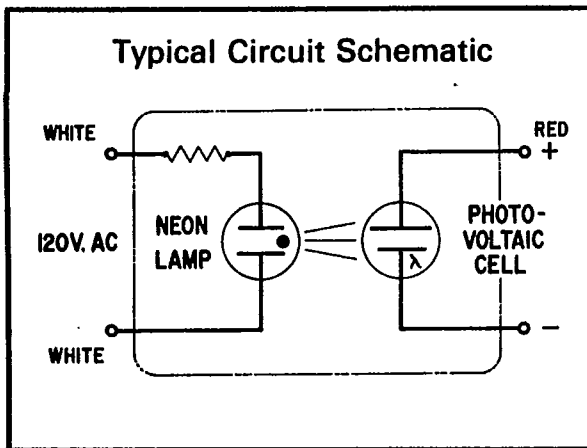
**SSC
600**

OPTICAL ISOLATOR

The unit consists of a neon bulb with a dropping resistor activating a silicon photocell.



Typical Circuit Schematic



FEATURES

- Neon bulb, dropping resistor and silicon photocell
- 1000 volts minimum isolation
- Low coupling capacity 5 pf. typ.
- Operates directly off 115V ac line
- Output current - 200 μ a
- Output voltage - 200 mv

- SOLAR CELL
OUTPUT CHARACTERISTICS**
- Reverse current @ 0.7V 15 μ a max.
 - Operating temperature range . . . -30°C to +70°C
 - Short circuit current
 - @ 100V ac input 160 μ a min.
 - @ 110V ac input 180 μ a min.
 - @ 120V ac input 200 μ a min.

NEON BULB ELECTRICAL CHARACTERISTICS

- Input voltage 100-120V ac
- Input current 1.9 ma max.

- Decay time 10 ms
- Rise time 10 ms
- Open circuit voltage
 - @ 100V ac input 160 mv min.
 - @ 110V ac input 180 mv min.
 - @ 120V ac input 200 mv min.

SPECIAL ISOLATORS AVAILABLE TO CUSTOMERS SPECIFICATIONS.

SILICON SENSORS, INC. Engineering Department and Field Sales Engineers are available to work with you on your specific requirements.