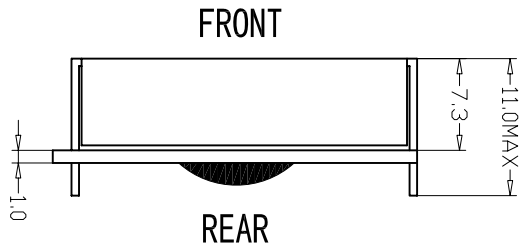
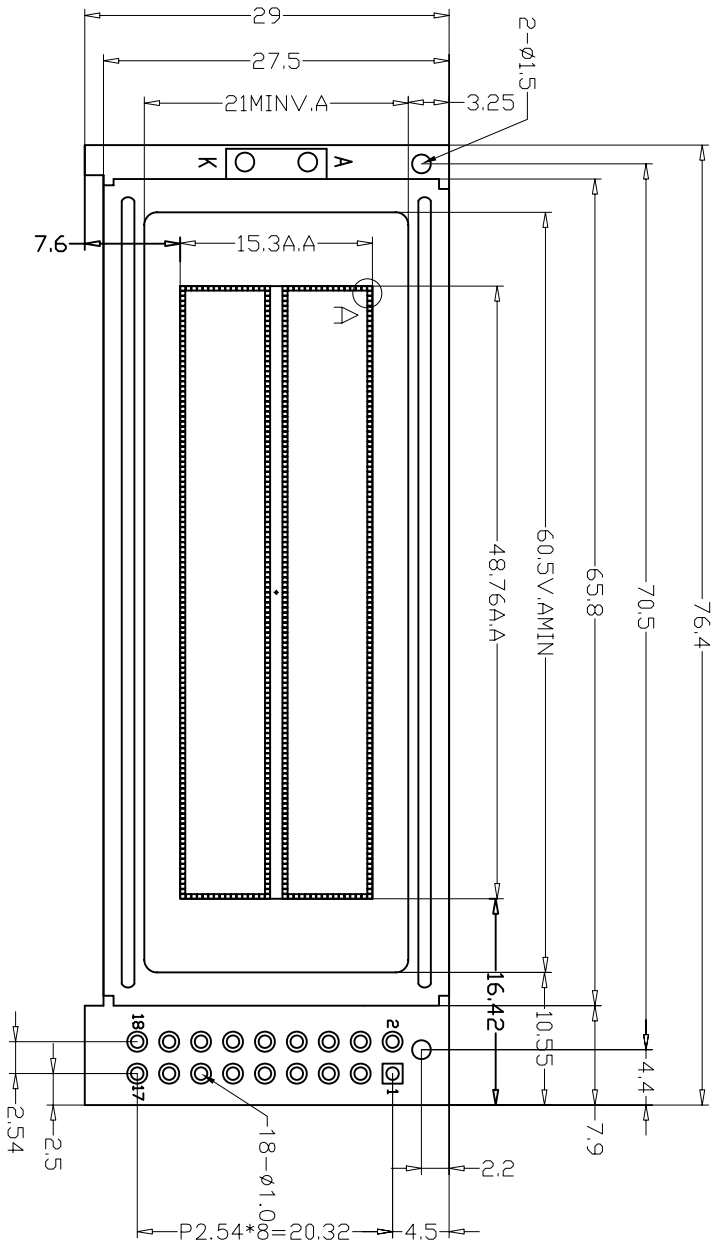
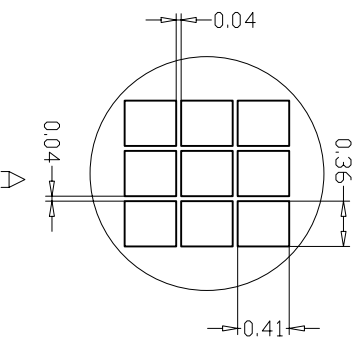


REV.	CHANGE CONTENT	BY	DATE



PIN	1	2	3	4	5	6	7	8	9	10	11	12	13	14	15	16	17	18
SYMBOL	VDD	VSS	VO	RST	E1	E2	R/W	A0	DB0	DB1	DB2	DB3	DB4	DB5	DB6	DB7	A	K



- NOTE:
1. DISPLAY TYPE: STN-Y/G-POSITIVE-TRANSFLECTIVE
  2. DRIVE METHOD: 1/32 DUTY, 1/5 BIAS, 4.7±0.2V Vop, 5V VDD
  3. VIEWING DIR.: 6:00
  4. OP. TEMP.: -20°C~70°C
  5. ST. TEMP.: -30°C~80°C
  6. BACKLIGHT: LED(Y/G), Vf 4.2±0.2V, If 90mA(Max.) 50(Min.)CD<sup>2</sup>/m, 570nm
  7. DRIVER IC: NU6450\*2(IC1,IC2)



HTDISPLAY CO., LTD.

DRAWING No.: HG123210C-YF62L-VA

DRAWING TITLE: LGM

TOLERANCE		DESIGN		L2M		05.07.16		STANDARD		REV. : A		SCALE : -	
>0~6	±0.10	CHECKED						TECHNOLOGY		PROJECTION:		UNIT : MM	
>6~80	±0.20	APPROVED						QA		PROJECTION:		SHEET : 1/1	
>80~240	±0.30												
>240~400	±0.50												
// L ⊙ ±0.10													