

FSC

95H90 VHF PRESCALER ÷ 10/11

9595 DUAL ECL/TTL CONVERTER

5-23

002298

0 My

T2298

FSC

DESCRIPTION The 95H90 prescaler is a high speed ECL MSI designed specifically for the communication and instrumentation manufacturer. In its simplest use it will divide any clock frequency up to 250 MHz, by 10. By using the 9590 with other control logic a divide by 10/11 logic control element allows a divide by "N" counter to be constructed with a max frequency over 250 MHz.

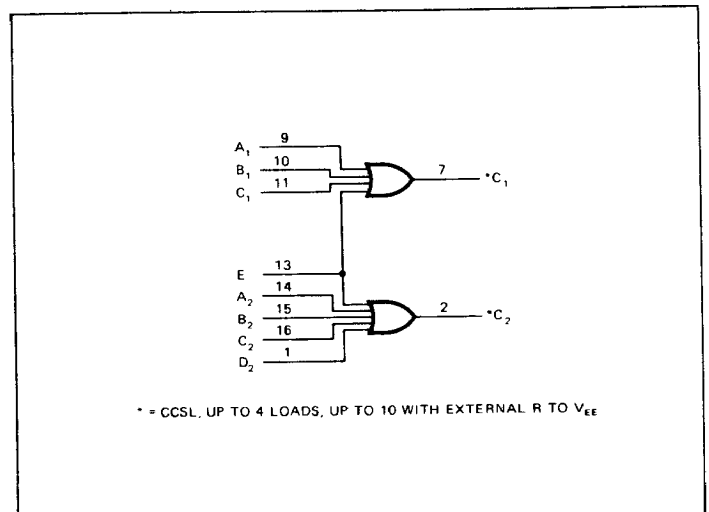
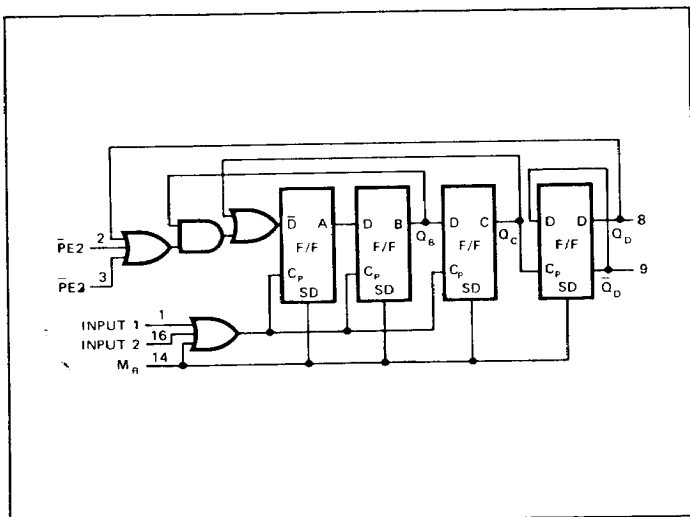
By keeping all the high speed logic manipulation "on chip", a dramatic decrease in power and increase in reliability and wire-ability are made available at much lower cost than a comparable SSI function.

- HIGH SPEED . . . 300 MHz
- ÷10/11 ENABLE
- HIGH SPEED RESET
- WIRED OR CAPABILITY
- SEPARATE CURRENT SWITCH EMITTER FOLLOWER V_{CC} PINS ELIMINATE NOISE COUPLING
- TEMPERATURE COMPENSATION
- INTERNAL PULL DOWN
- 50 Ω LINE DRIVE CAPABILITY
- SINGLE -5.2 VOLT POWER SUPPLY
- HERMETIC CERAMIC 16 PIN DIP
- COMPLEX MULTI-GATE CHIP REDUCES PACKAGE COUNT & POWER

DESCRIPTION The 9595 is a high speed logic converter for use in systems using both the high speed of ECL and the many available functions of TTL. The 9595 requires the -5.2 volt V_{EE} supply of ECL and the +5 volt V_{CC} of TTL. The TTL fanout of 4 may be expanded by adding more pulldown current at the TTL output pin.

By allowing the logic converter to function as a logic gate the normally wasted time of logic conversion may be used in the logic implementation with the through delay generally less than that found in TTL circuits.

- HIGH SPEED . . . 6 ns
- FAN OUT 10
- NO INVERSION THROUGH CONVERTER
- ECL INPUT TEMPERATURE COMPENSATED
- INTERNAL PULL DOWNS
- HERMETIC CERAMIC 16 PIN DIP
- FUNCTIONS AS DUAL 2 INPUT GATE
- MULTIPLE LOGIC GATE CAPABILITY



1