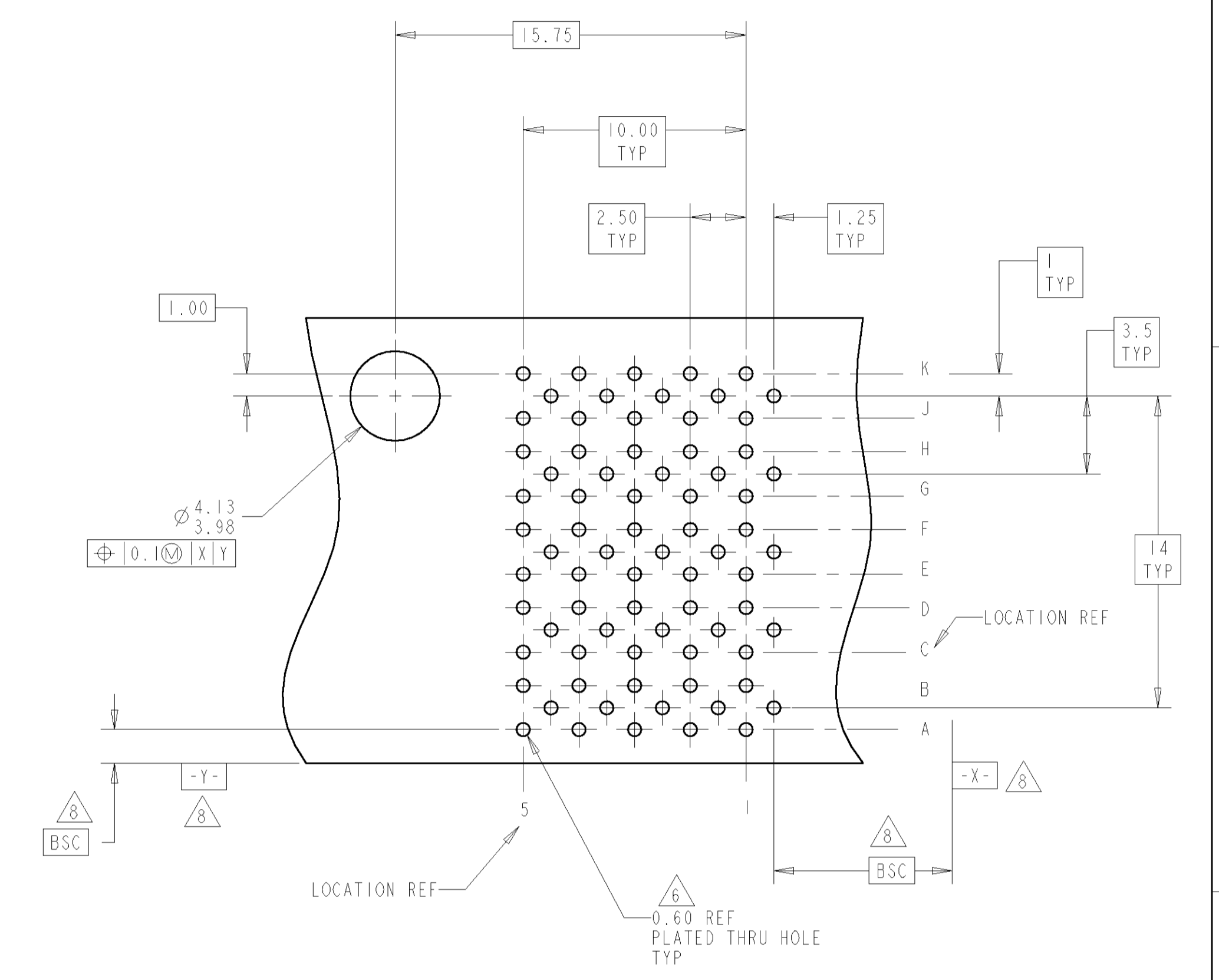
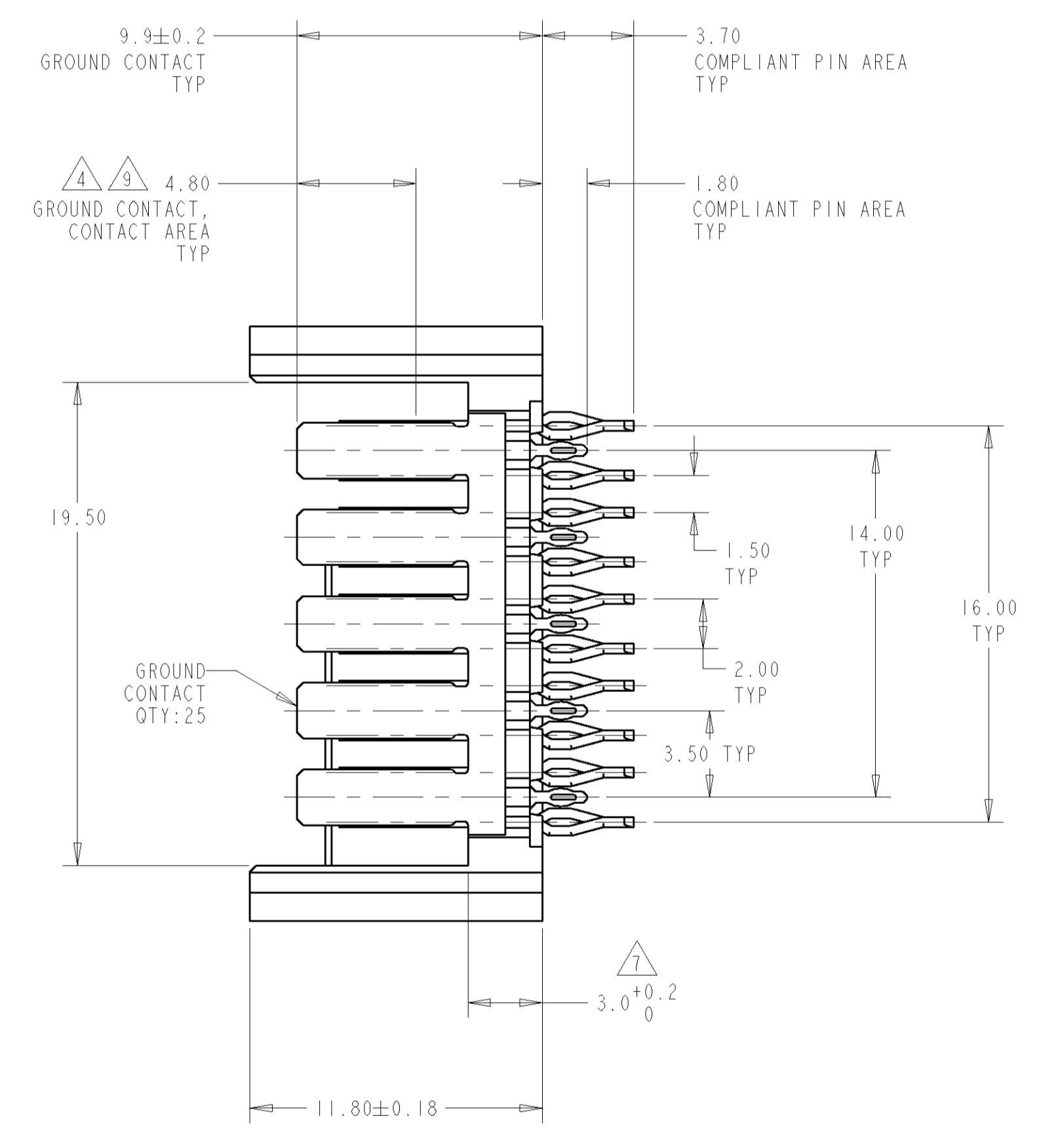
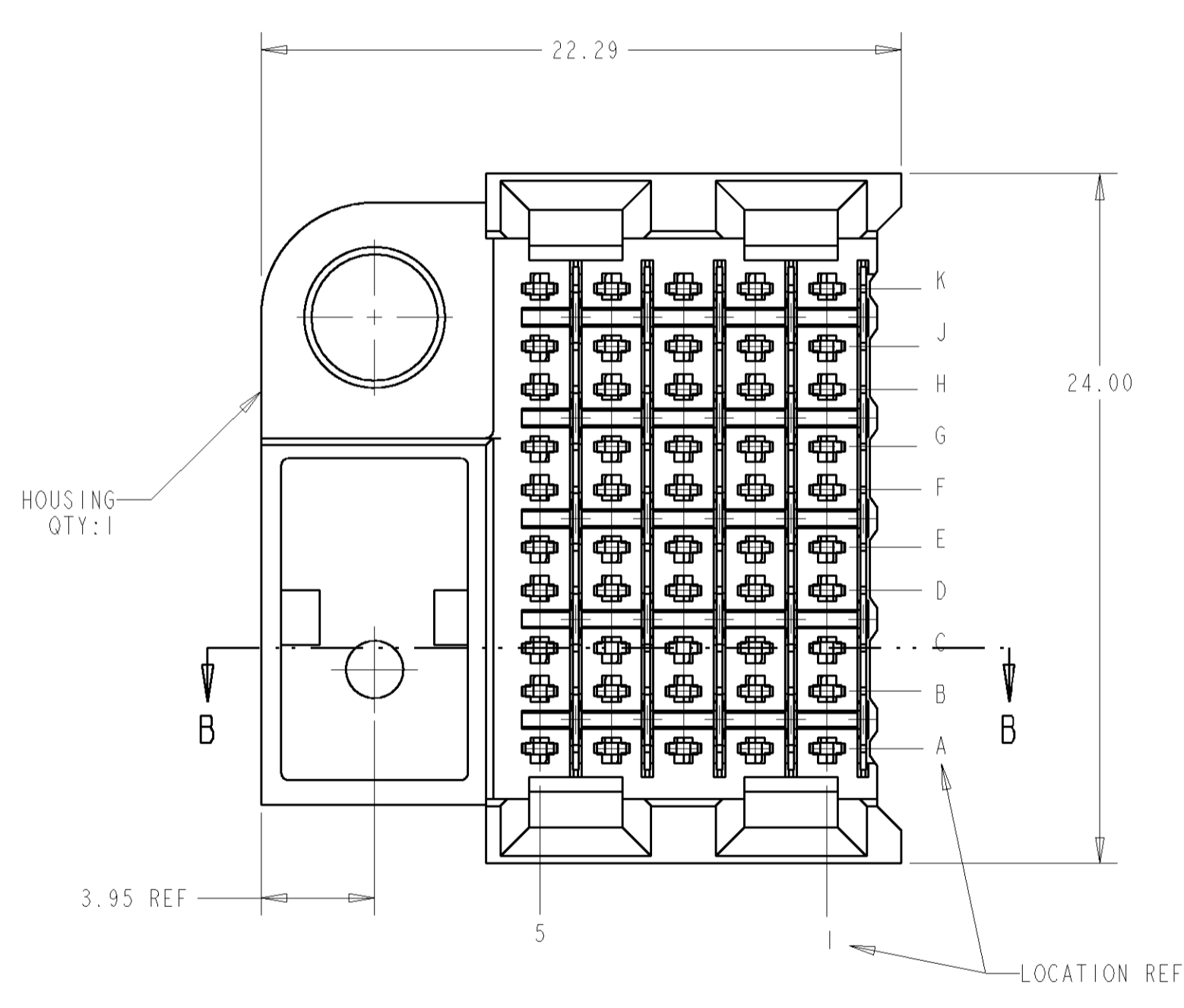
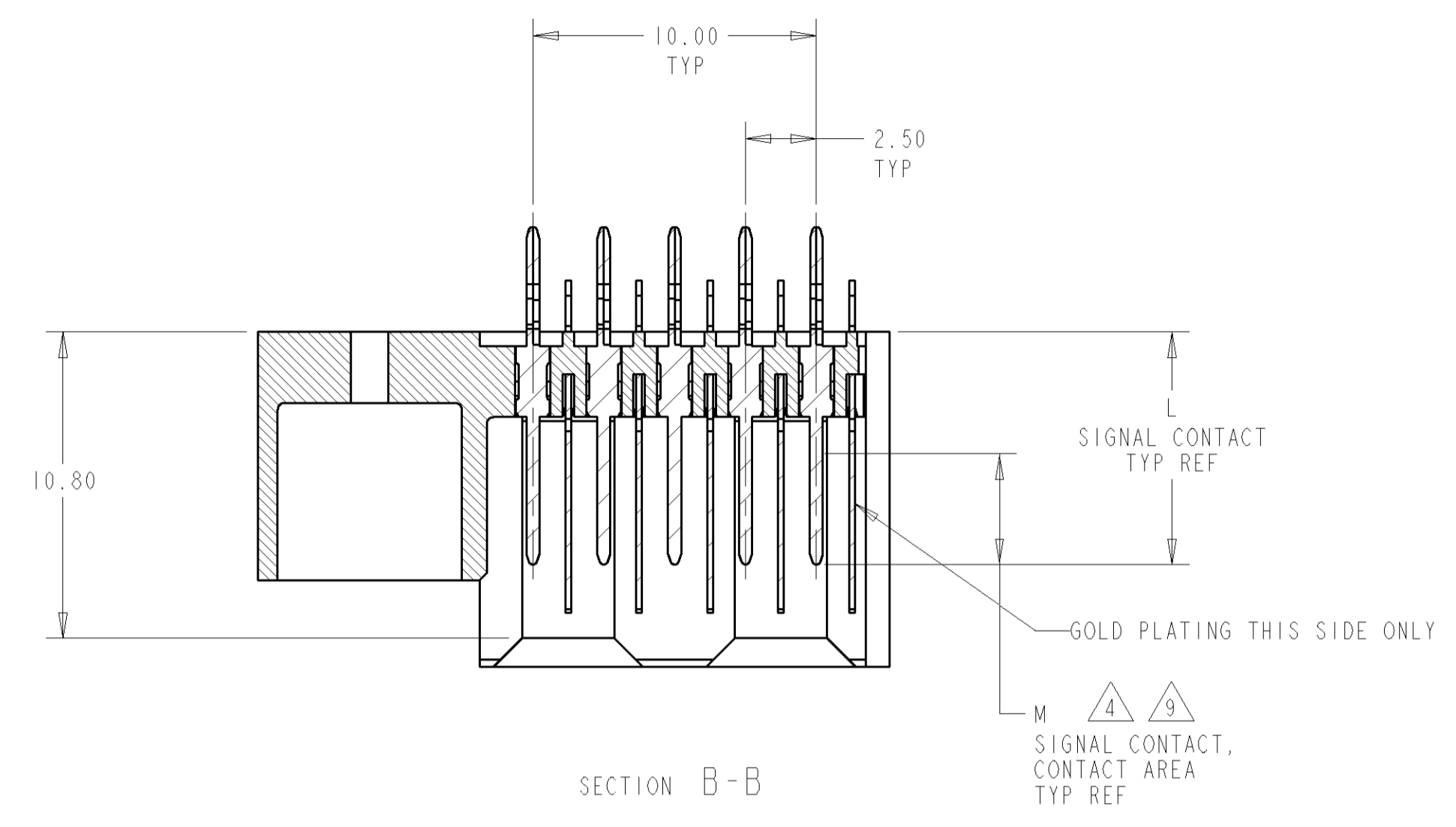
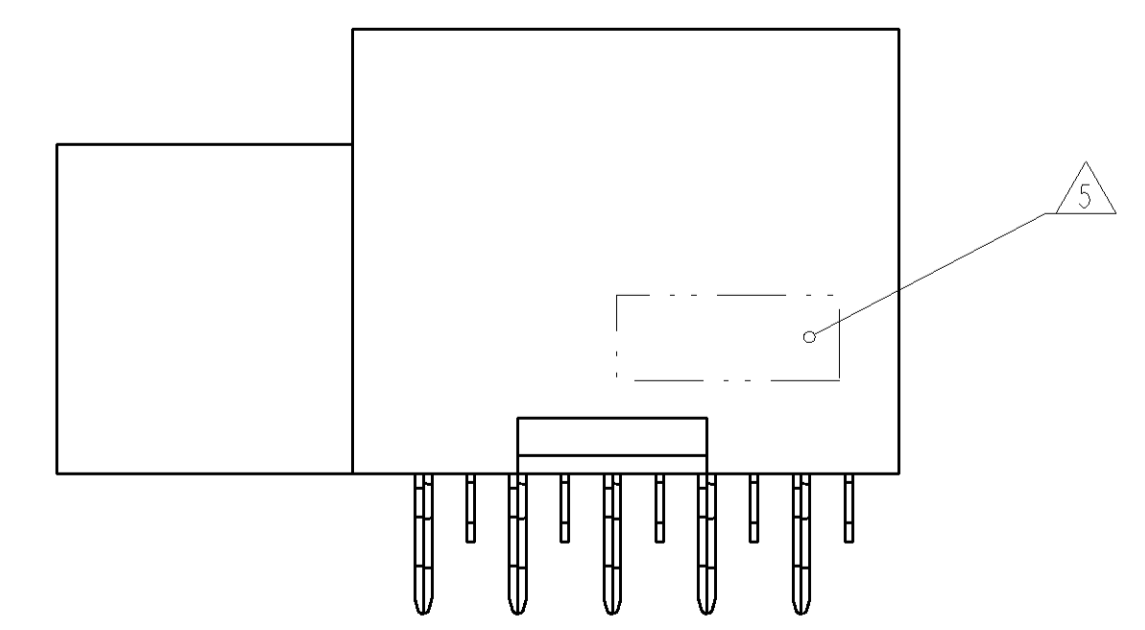


LOC	DIST	REV	DATE	BY	APPD
AD	00	0	06DEC2004	BC	RP
		A	28JAN2005	BC	RP
		A1	18JAN2007	JRP	RAP
		A2	09JAN10	KK	AEG

- 2 PHOSPHOR BRONZE
- 3 LCP, UL94V-0
- 4 0.76µm MIN GOLD OVER 1.27µm MIN NICKEL UNDERPLATE OR GOLD FLASH OVER 0.76µm MIN PALLADIUM-NICKEL OVER 1.27µm MIN NICKEL UNDERPLATE ON CONTACT AREA. 0.76µm MIN TIN LEAD OVER 1.27µm MIN NICKEL ON COMPLIANT PIN AREA
- 5 CONNECTOR MARKED WITH PART NUMBER AND DATE CODE
- 6 REFERENCE APPLICATION SPEC 114-13020 FOR RECOMMENDED PLATED THRU HOLE DIAMETER AND PLATING THICKNESS.
- 7 APPLICATION SEATING HEIGHT TO PRINTED CIRCUIT BOARD
- 8 DATUMS AND BASIC DIMENSIONS ESTABLISHED BY CUSTOMER
- 9 CONTACT AREA LUBRICATED WITH BELLCORE APPROVED LUBRICANT TECHNICAL REFERENCE: GR-1217-CORE, ISSUE 1, NOVEMBER 1995
- 10 OBSOLETE PARTS: OBSOLETE CIS STREAMLINING PER D.RENAUD/D.SINISI



RECOMMENDED
 PRINTED CIRCUIT BOARD
 LAYOUT
 COMPONENT SIDE OF PRINTED CIRCUIT BOARD



OBSOLETE	5.30	9.7	5120670-2
	3.90	8.2	5120670-1
	M	L	PART NUMBER

DIMENSIONS: mm 0 PLC ± 1 PLC ±0.13 3 PLC ±0.05 4 PLC ± ANGLES ± FINISH ±		TOLERANCES UNLESS OTHERWISE SPECIFIED: 0 PLC ± 1 PLC ±0.13 3 PLC ±0.05 4 PLC ± ANGLES ± FINISH ±		DWN B CARBO 06DEC04 ENR R PATTERSON 06DEC04 APVD R PATTERSON 06DEC04 NAME R PATTERSON 06DEC04 PRODUCT SPEC APPLICATION SPEC WEIGHT CUSTOMER DRAWING		Tyco Electronics Harrisburg, PA 17105-3608 Tyco Electronics Harrisburg, PA 17105-3608 NAME HEATER ASSEMBLY, 50 POSITION, RIGHT HAND, 10 ROW, Z-PACK HS3 SIZE CAGE CODE DRAWING NO RESTRICTED TO A1 00779 C=5120670 SCALE 5:1 SHEET 1 OF 1 REV A2	
---	--	--	--	--	--	--	--