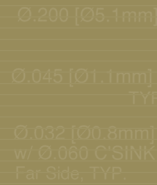
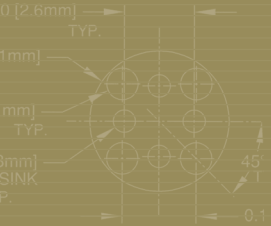


PERM-O-PADS®

TO-18 and T-1³/₂ (5mm) LED Mounts

Universal TO-5, to TO-18 and T-1³/₄ (5mm) LED Mounts



Material Specifications:

Nylon, per ASTM D4066 PA111, UL Rated 94V-2

Oxygen Rating Index: Over 28%

Standard Drawing Tolerances:

(unless otherwise indicated)

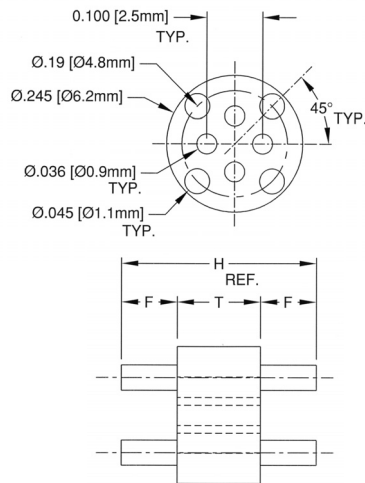
Fractions: ± 1/64 (0.4) .XX = ±0.01 (0.25)

.X = ±0.10 (2.5) .XXX = ±0.005 (0.13)



102 Series

Color: White, Price Code: A



TO-18 and T-1³/₄ (5mm) LED Mounts

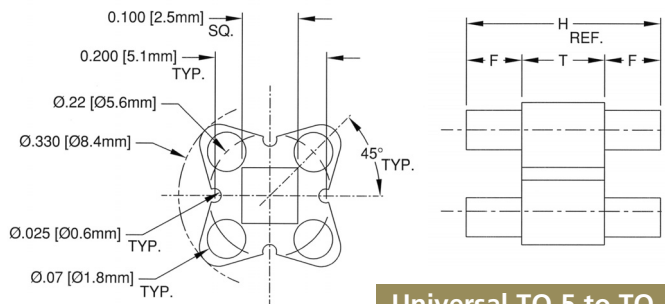
Part No.	H	T	F
102-050	.050 (1.3)	.030 (.76)	.010 (.25)
102-060	.060 (1.5)	.030 (.76)	.015 (.38)
102-070	.070 (1.8)	.030 (.76)	.020 (.51)
102-080	.080 (2.0)	.030 (.76)	.025 (.64)
102-090	.090 (2.3)	.030 (.76)	.030 (.76)
102-100	.100 (2.5)	.030 (.76)	.035 (.89)
102-110	.110 (2.8)	.030 (.76)	.040 (1.0)
102-120	.120 (3.0)	.030 (.76)	.045 (1.1)

Part No.	H	T	F
102-130	.130 (3.3)	.030 (.76)	.050 (1.3)
102-140	.140 (3.6)	.030 (.76)	.055 (1.4)
102-150	.150 (3.8)	.030 (.76)	.060 (1.5)
102-160	.160 (4.1)	.030 (.76)	.065 (1.7)
102-170	.170 (4.3)	.030 (.76)	.070 (1.8)
102-180	.180 (4.6)	.030 (.76)	.075 (1.9)
102-190	.190 (4.8)	.030 (.76)	.080 (2.0)
102-200	.200 (5.1)	.030 (.76)	.085 (2.2)



126 Series

Color: White, Price Code: A



Universal TO-5 to TO-18 and T-1³/₄ (5mm) LED Mounts

Part No.	H	T	F
126-030	.030 (.76)	.030 (.76)	.000
126-040	.040 (1.0)	.030 (.76)	.005 (.13)
126-050	.050 (1.3)	.030 (.76)	.010 (.25)
126-060	.060 (1.5)	.030 (.76)	.015 (.38)
126-070	.070 (1.8)	.030 (.76)	.020 (.51)
126-080	.080 (2.0)	.030 (.76)	.025 (.64)
126-090	.090 (2.3)	.030 (.76)	.030 (.76)
126-100	.100 (2.5)	.030 (.76)	.035 (.89)
126-110	.110 (2.8)	.030 (.76)	.040 (1.0)
126-120	.120 (3.0)	.030 (.76)	.045 (1.1)
126-130	.130 (3.3)	.030 (.76)	.050 (1.3)

Part No.	H	T	F
126-140	.140 (3.5)	.030 (.76)	.055 (1.4)
126-150	.150 (3.8)	.030 (.76)	.060 (1.5)
126-160	.160 (4.1)	.030 (.76)	.065 (1.7)
126-170	.170 (4.3)	.030 (.76)	.070 (1.8)
126-180	.180 (4.6)	.030 (.76)	.075 (1.9)
126-190	.190 (4.8)	.030 (.76)	.080 (2.0)
126-200	.200 (5.1)	.030 (.76)	.085 (2.2)
126-210	.210 (5.3)	.030 (.76)	.090 (2.3)
126-220	.220 (5.6)	.030 (.76)	.095 (2.4)
126-230	.230 (5.8)	.030 (.76)	.100 (2.5)
126-240	.240 (6.1)	.030 (.76)	.105 (2.7)