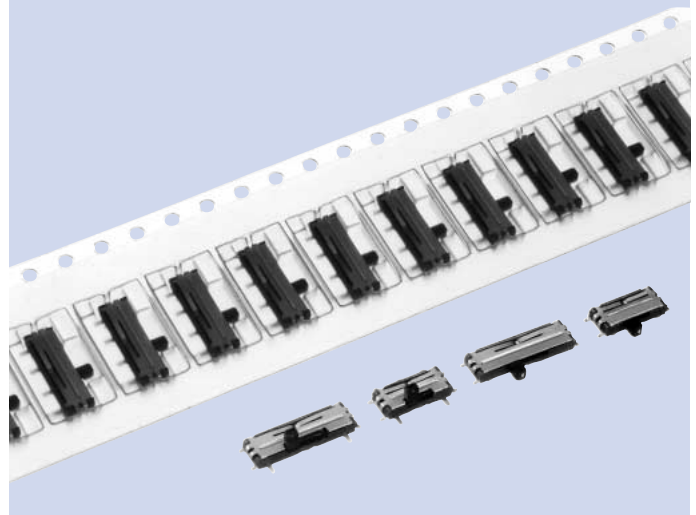


Paper Slide Switches SSQ Series

FEATURES

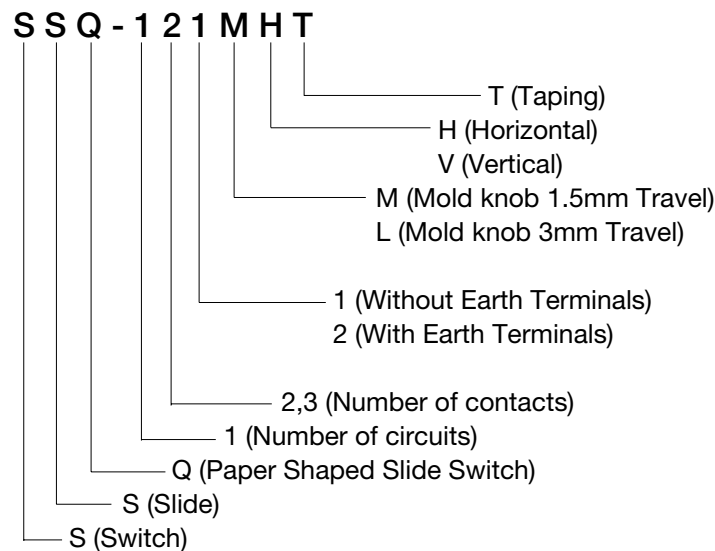
1. Super thin 1.4mm in height.
2. SMT type and reflow-soldering for Surface mounting.
3. Taped packaging for automatic mounting.
4. Changeover timing is not specified.
5. You can select of With-Without Earth terminal and With-Without detent.



USES

1. Function selector switches for radios, headphone, stereos, LCD TV sets, video cameras, and such.
2. Write protect switches for memory cards.
3. Presetting switch in a unit.

MODEL NAME CODE



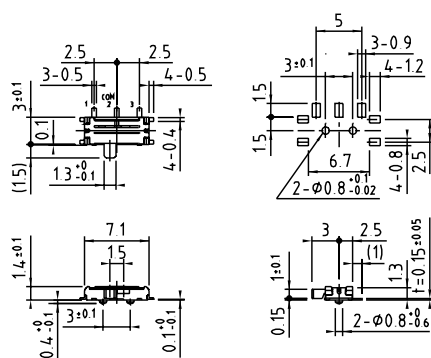
SPECIFICATIONS

Electrical Characteristics	Rating	0.3A, 4V DC
	Contact Resistance	70mΩ or less
	Insulation Resistance	100MΩ or more
	Withstand Voltage	1 minute at 100V AC
Mechanical Characteristics	Operating Force	2-contact type 1.47±0.98N (150±100gf)
		3-contact type a→b/c→b 1.47±0.98N (150±100gf) b→a/b→c 1.96±0.98N (200±100gf)
Life		10,000cycles

TYPE

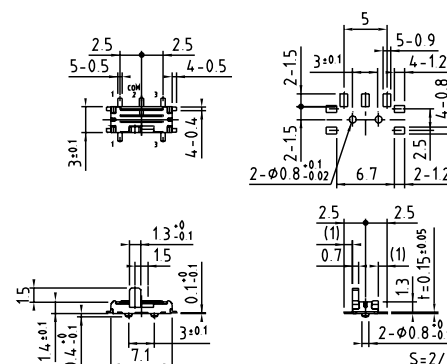
Model Name Code	Order Number	No. of Poles	No. of Contacts	Travel (mm)	Knob Direction	Terminal Earth	Pcs/Reel
SSQ-122MHT	R66 4978	1	2	1.5	Horizontal	With	2,500
SSQ-121MHT	R66 5019	1	2	1.5	Horizontal	Without	2,500
SSQ-122MVT	R66 5013	1	2	1.5	Vertical	With	1,500
SSQ-121MVT	R66 5021	1	2	1.5	Vertical	Without	1,500
SSQ-122LHT	R66 5029	1	2	3	Horizontal	With	2,500
SSQ-121LHT	R66 5027	1	2	3	Horizontal	Without	2,500
SSQ-132MHT	R66 4980	1	3	1.5	Horizontal	With	2,500
SSQ-131MHT	R66 5023	1	3	1.5	Horizontal	Without	2,500
SSQ-132MVT	R66 5015	1	3	1.5	Vertical	With	1,500
SSQ-131MVT	R66 5025	1	3	1.5	Vertical	Without	1,500

DIMENSIONS



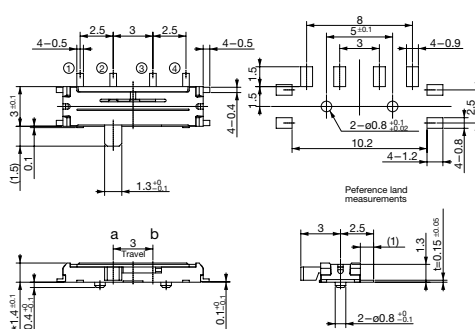
SSQ-122MHT (1-circuit, 2-contact : Horizontal)

Unit : mm



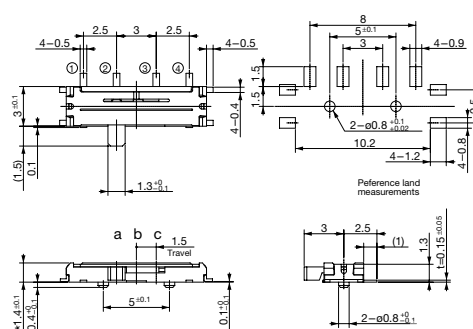
SSQ-122MVT (1-circuit, 2-contact : Vertical)

Unit : mm



SSQ-122LHT (1-circuit, 2-contact : 3mm travel)

Unit : mm



SSQ-132MHT (1-circuit, 3-contact : Horizontal)

Unit : mm