

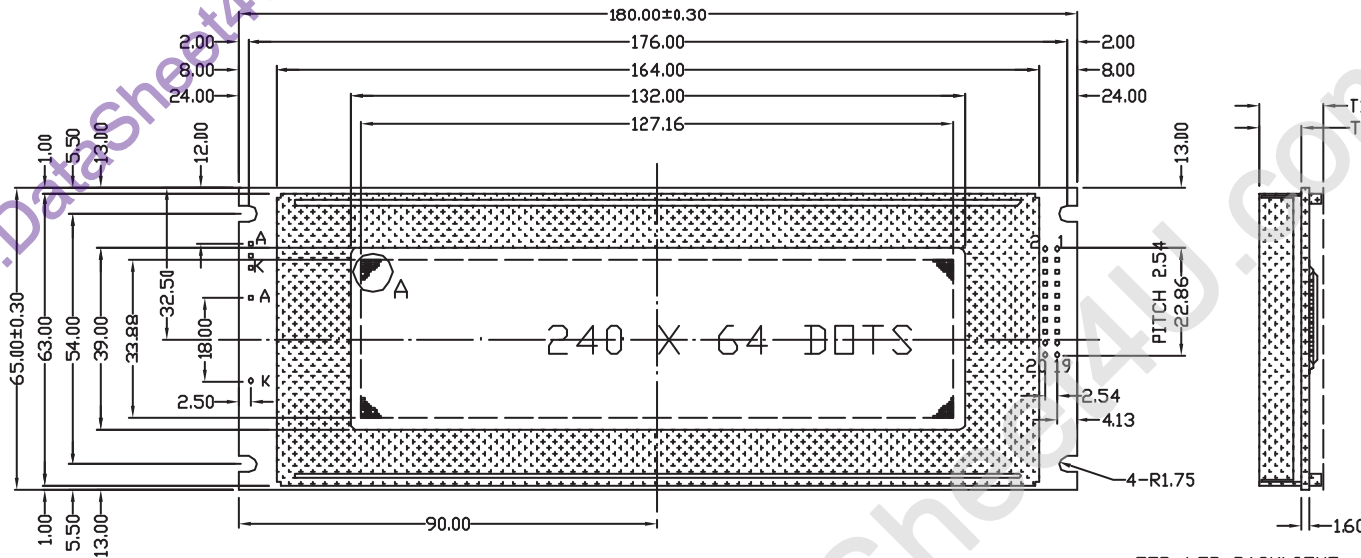
液晶之友 电话: 020-33819057  
 Http://www.lcdfriends.com

REVISIONS

NO.	DATE	BY	DESCRIPTION
1	01/06/18	A.CH	NEW RELEASE

PINS ASSIGNMENT

NO.	SYMBOL	DESCRIPTION
1	VSS	POWER SUPPLY: GROUND
2	VDD	POWER SUPPLY (+)
3	V0	CONTRAST ADJUST
4	RS	COMMAND/DATA SELECT
5	R/W	DATA READ/WRITE
6	E	ENABLE SIGNAL
7-14	DB0-DB7	DATA BUS
15	/CS	CHIP SELECT: LOW EFFECT
16	/RST	RESET: LOW EFFECT
17	VEE	NEGATIVE VOLTAGE OUTPUT(-10V)
18	NC	NO CONNECTION
19	LEDA	POWER SUPPLY FOR BACKLIGHT(+)
20	LEDK	POWER SUPPLY FOR BACKLIGHT(-)



\* FOR LED BACKLIGHT  
 TH1=14.0MAX TH2=9.0MAX  
 \* FOR EL OR NO BACKLIGHT  
 TH1=11.0MAX TH2=6.0MAX

ABSOLUTE MAXIMUM RATING

ITEM	SYMBOL	MIN	MAX	UNIT
POWER SUPPLY(LOGIC)	VDD-VSS	-0.3	7.0	V
POWER SUPPLY(LCD DRIVE)	VDD-VEE	0	22.0	V
INPUT VOLTAGE	VI	-0.3	VDD+0.3	V

ELECTRICAL CHARACTERISTICS

ITEM	SYMBOL	MIN	TYP	MAX	UNIT
VOLTAGE FOR LOGIC	VDD-VSS	4.75	5.0	5.25	V
SUPPLY CURRENT	IDD	-	8.7	-	mA
LCD OPERATING VOLTAGE	OC	-	14.5	-	V
	25C	VDD-V0	-	13.5	-
	40C	-	13.0	-	V
INPUT VOLTAGE	VIH	0.7VDD	-	VDD	V
	VIL	0	-	0.3VDD	V

MECHANICAL SPECIFICATIONS

ITEM	SPECIFICATION	UNIT
OVERALL SIZE	180.0W x 65.0H x 14.0T(11.0)	MM
VIEWING AREA	132.0W x 39.0H	MM
DOT NUMBER	240 x 64	DOTS
DOT SIZE	0.49W x 0.49H	MM
DOT PITCH	0.53W x 0.53H	MM

OPTIONS

- LCD TYPE: Y/G STN; GRAY STN; B/W FSTN
- BACKLIGHT: WITHOUT BACKLIGHT; LED; EL
- COLOR OF BACKLIGHT: Y/G; BLUE; WHITE
- TEMPERATURE RANGE: NORMAL(-20--50C); EXTENDED(-20--70C)
- POWER SUPPLY: ON BOARD DC/DC(SINGLE 3.0V); DUAL POWER SUPPLY(5.0V & -10.0V)
- VIEWING ANGLE: 6H; 12H

