

液晶之友 电话: 020-33819057

Http://www.lcdfriends.com

REVISIONS			
NO.	DATE	BY	DESCRIPTION
1	01/08/18	A.CH	NEW RELEASE
2	05/02/22	A.CH	PINS DEF

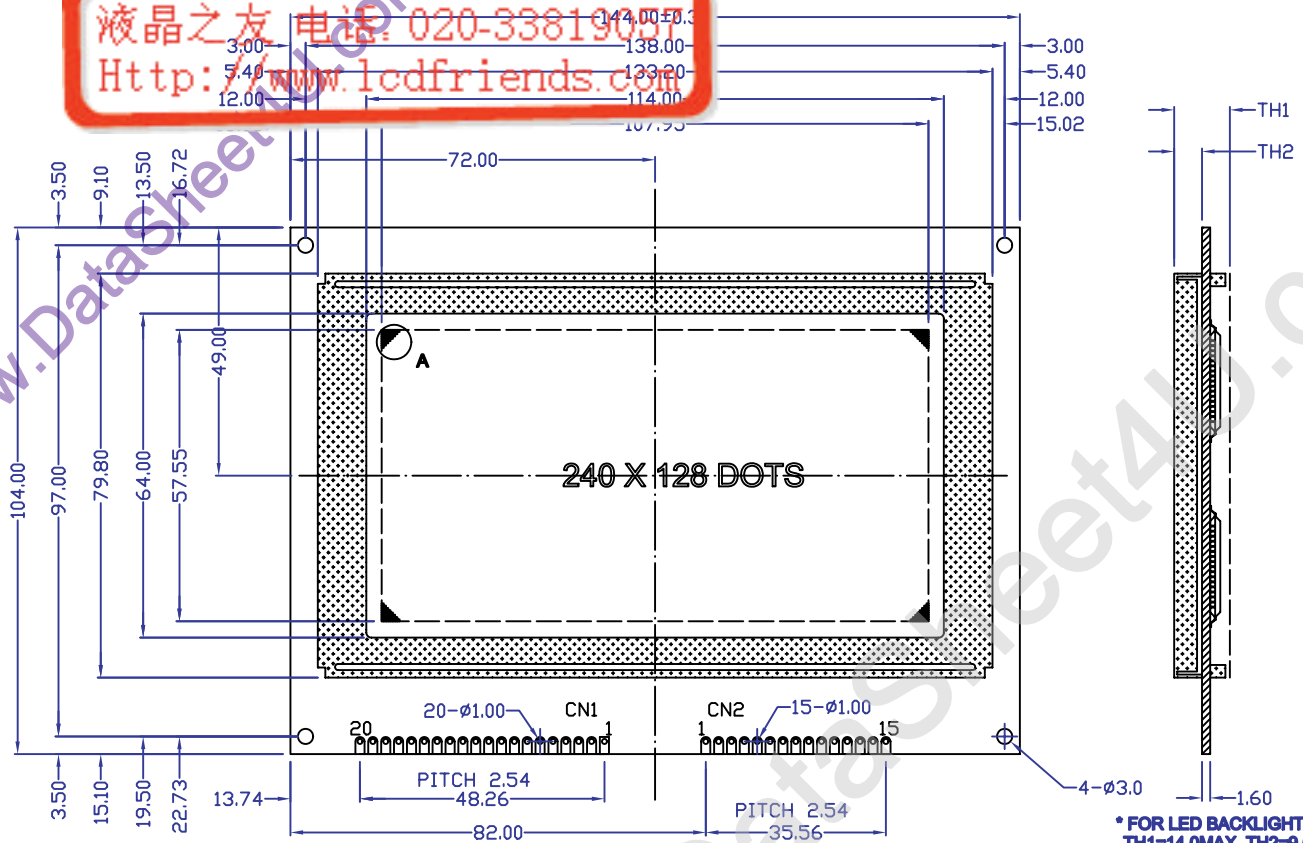
PINS ASSIGNMENT			
CN1 FOR BUILT-IN CONTROLLER		CN2 FOR DRIVER ONLY	
NO.	SYMBOL	NO.	SYMBOL
1	VSS	1	FLM
2	VDD	2	CP
3	V0	3	LP
4	RS	4	M
5	R/W	5	VDD
6	E	6	VSS
7-14	DB0-DB7	7	VEE
15	/CS	8-11	D0-D3
16	/RES	12	V0
17	VEE	13	/DISPOFF
18	NC	14	A
19	A	15	K
20	K		

ABSOLUTE MAXIMUM RATING				
ITEM	SYMBOL	MIN	MAX	UNIT
POWER SUPPLY(LOGIC)	VDD-VSS	0	6.5	V
POWER SUPPLY(LCD DRV.)	VDD-V0	0	18.0	V
INPUT VOLTAGE	VI	VI	VDD	V

ELECTRICAL CHARACTERISTICS					
ITEM	SYMBOL	MIN	TYP	MAX	UNIT
VOLTAGE FOR LOGIC	VDD-VSS	4.75	5.0	5.25	V
SUPPLY CURRENT	IDD	-	12.0	-	mA
LCD OPERATING VOLTAGE	0C	-	16.0	-	V
	28C	-	15.0	-	V
	40C	-	14.0	-	V
INPUT VOLTAGE	H VIH	0.7VDD	-	VDD	V
	L VIL	0	-	0.3VDD	V

MECHANICAL SPECIFICATIONS		
ITEM	SPECIFICATION	UNIT
OVERALL SIZE	144.0W x 104.0H x 14.0T(11.0T)	MM
VIEWING ANGLE	133.2Wx84.0H	MM
DOT NUMBER	240 x 128	DOTS
DOT SIZE	0.40W x 0.40H	MM
DOT PITCH	0.45W x 0.45H	MM

- OPTIONS**
- LCD TYPE: Y/G STN; GRAY STN; B/W FSTN
  - BACKLIGHT: WITHOUT BACKLIGHT; LED; EL; CCFL
  - COLOR OF BACKLIGHT: Y/G; BLUE; WHITE
  - TEMPERATURE RANGE: NORMAL(0-50C)
  - POWER SUPPLY: ON BOARD DC/DC(SINGLE 5.0V); DUAL POWER SUPPLY(5.0V & -10.0V)
  - VIEWING ANGLE: 6H; 12H



\* FOR LED BACKLIGHT  
TH1=14.0MAX TH2=8.0MAX  
\* FOR EL OR NO BACKLIGHT  
TH1=11.0MAX TH2=6.0MAX

