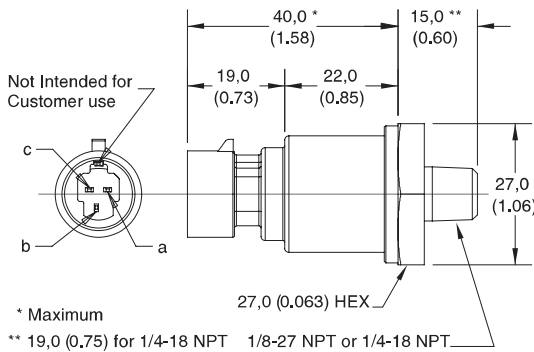


ML Series



The Model ML pressure transducers combines the latest in ASIC technology with our proven stainless steel design. This digitally compensated transducer offers an unparalleled value and performance combination making it the ideal pressure sensing solution for demanding automotive and industrial applications. Fully temperature compensated, calibrated, and amplified, the ML is available in 100 to 5,000 psig pressure ranges.

Approval: UL
Supply voltage: 5.0 Vdc
Signal conditioning: Amplified compensated
Operating temperature range: -40 °C to 105 °C (-40 °F to 221 °F)
Compensated temperature range: -40 °C to 105 °C (-40 °F to 221 °F)
Termination type: Packard Metri-Pack™ Connector
Measurement type: Sealed Gauge



OPTIONS

0.5 Vdc to 4.5 Vdc Output 1/8 in - 27 NPT Connector

SUPPLY VOLTAGE	PRESSURE RANGE	REFERENCE
5.0 Vdc	0 psig to 1,000 psig	ML01KPS1PC
5.0 Vdc	0 psig to 100 psig	ML100PS1PC

1/4 in - 18 NPT Connector

SUPPLY VOLTAGE	PRESSURE RANGE	REFERENCE
5.0 Vdc	0 bar to 10 bar	ML010BS2PC

4 mA to 20 mA Output 1/8 in - 27 NPT Connector

SUPPLY VOLTAGE	PRESSURE RANGE	REFERENCE
9.5 Vdc to 35.0 Vdc	0 psig to 100 psig	ML100PS1PG

1/4 in - 18 NPT Connector

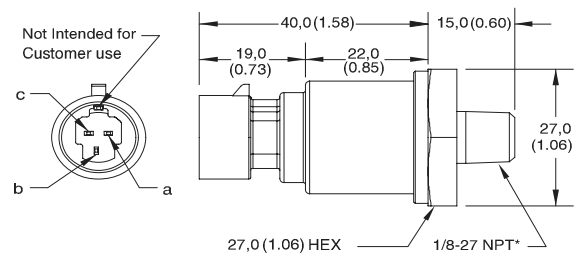
SUPPLY VOLTAGE	PRESSURE RANGE	REFERENCE
9.5 Vdc to 35.0 Vdc	0 psig to 100 psig	ML100PS2PG
9.5 Vdc to 35.0 Vdc	0 psig to 300 psig	ML300PS2PG
9.5 Vdc to 35.0 Vdc	0 bar to 60 bar	ML060BS2PG

ST Series



The Model ST pressure transducer combines Honeywell's proven silicon pressure sensing with the latest in ASIC technology in a rugged, industrial package. High value, coupled with outstanding performance, make this an ideal transducer for industrial control applications such as air compressors and pneumatic equipment.

Signal conditioning: Amplified compensated
Operating temperature range: -40 °C to 100 °C (-40 °F to 212 °F)
Compensated temperature range: -40 °C to 100 °C (-40 °F to 212 °F)
Termination type: Packard Metri-Pack™ Connector
Measurement type: Gauge



* 1/4-18 NPT and G1/4-18 BSP configurations are both optional. Contact the factory to discuss other pressure port options.

OPTIONS

4.0 mA to 20 mA Output 1/8 in - 27 NPT Connector

SUPPLY VOLTAGE	PRESSURE RANGE	REFERENCE
9.5 Vdc to 35 Vdc	0 bar to 10 bar	ST010BG1SPGF
9.5 Vdc to 35 Vdc	0 psig to 200 psig	ST200PG1SPGF

1/4 in - 18 NPT Connector

SUPPLY VOLTAGE	PRESSURE RANGE	REFERENCE
9.5 Vdc to 35 Vdc	0 bar to 10 bar	ST010BG2SPGF
9.5 Vdc to 35 Vdc	0 bar to 2.5 bar	ST2R5BG2SPGF
9.5 Vdc to 35 Vdc	0 bar to 6.0 bar	ST06BG2SPGF

0.5 Vdc to 4.5 Vdc Ratiometric Output 1/4 in - 18 NPT Connector

SUPPLY VOLTAGE	PRESSURE RANGE	REFERENCE
5.0 Vdc	0 psig to 50 psig	ST050PG2SPCF