

**Radiation Hardened, High Speed, Low Power Current Feedback Amplifier with Programmable Output Limiting**

The HS-1135RH is a radiation hardened, high speed, low power current feedback amplifier built with Intersil's proprietary complementary bipolar UHF-1 (DI bonded wafer) process. They are QML approved and processed in full compliance with MIL-PRF-38535. This amplifier features user programmable output limiting, via the  $V_H$  and  $V_L$  pins.

The HS-1135RH is the ideal choice for high speed, low power applications requiring output limiting (e.g., flash A/D drivers), especially those requiring fast overdrive recovery times. The limiting function allows the designer to set the maximum and minimum output levels to protect downstream stages from damage or input saturation. The sub-nanosecond overdrive recovery time ensures a quick return to linear operation following an overdrive condition.

Component and composite video systems also benefit from this op amp's performance, as indicated by the gain flatness, and differential gain and phase specifications.

**Specifications for Rad Hard QML devices are controlled by the Defense Supply Center in Columbus (DSCC). The SMD numbers listed here must be used when ordering.**

**Detailed Electrical Specifications for these devices are contained in SMD 5962-96767. A "hot-link" is provided on our homepage for downloading.**  
<http://www.intersil.com/spacedefense/space.htm>

**Ordering Information**

ORDERING NUMBER	INTERNAL MKT. NUMBER	TEMP. RANGE (°C)
5962F9676701VPA	HS7-1135RH-Q	-55 to 125
5962F9676701VPC	HS7B-1135RH-Q	-55 to 125
HS7-1135RH/PROTO	HS7-1135RH/PROTO	-55 to 125

**Features**

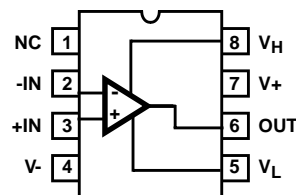
- Electrically Screened to SMD # 5962-96767
- QML Qualified per MIL-PRF-38535 Requirements
- User Programmable Output Voltage Limiting
- Fast Overdrive Recovery . . . . . <1ns (Typ)
- Low Supply Current . . . . . 6.9mA (Typ)
- Wide -3dB Bandwidth. . . . . 360MHz (Typ)
- High Slew Rate. . . . . 1200V/μs (Typ)
- High Input Impedance . . . . . 2MΩ (Typ)
- Excellent Gain Flatness (to 50MHz). . . . . ±0.07dB (Typ)
- Total Gamma Dose. . . . . 300kRAD(Si)
- Latch Up . . . . . None (DI Technology)

**Applications**

- Flash A/D Driver
- Video Switching and Routing
- Pulse and Video Amplifiers
- Wideband Amplifiers
- RF/IF Signal Processing
- Imaging Systems

**Pinout**

**HS-1135RH  
 GDIP1-T8 (CERDIP)  
 OR CDIP2-TI (SBDIP)  
 TOP VIEW**



## Clamp Operation

### General

The HS-1135RH features user programmable output clamps to limit output voltage excursions. Clamping action is obtained by applying voltages to the  $V_H$  and  $V_L$  terminals (pins 8 and 5) of the amplifier.  $V_H$  sets the upper output limit, while  $V_L$  sets the lower clamp level. If the amplifier tries to drive the output above  $V_H$ , or below  $V_L$ , the clamp circuitry limits the output voltage at  $V_H$  or  $V_L$  (the clamp accuracy), respectively. The low input bias currents of the clamp pins allow them to be driven by simple resistive divider circuits, or active elements such as amplifiers or DACs.

### Clamp Circuitry

Figure 1 shows a simplified schematic of the HS-1135RH input stage, and the high clamp ( $V_H$ ) circuitry. As with all current feedback amplifiers, there is a unity gain buffer ( $Q_{X1}$  -  $Q_{X2}$ ) between the positive and negative inputs. This buffer forces  $-IN$  to track  $+IN$ , and sets up a slewing current of  $(V_{IN} - V_{OUT})/R_F$ . This current is mirrored onto the high impedance node ( $Z$ ) by  $Q_{X3}$ - $Q_{X4}$ , where it is converted to a voltage and fed to the output via another unity gain buffer. If no clamping is utilized, the high impedance node may swing within the limits defined by  $Q_{P4}$  and  $Q_{N4}$ . Note that when the output reaches its quiescent value, the current flowing through  $-IN$  is reduced to only that small current ( $-I_{BIAS}$ ) required to keep the output at the final voltage.

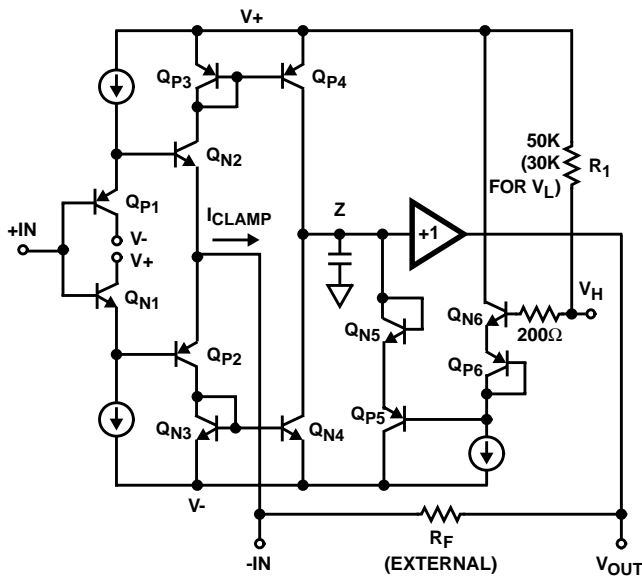


FIGURE 1. HS-1135RH SIMPLIFIED  $V_H$  CLAMP CIRCUITRY

Tracing the path from  $V_H$  to  $Z$  illustrates the effect of the clamp voltage on the high impedance node.  $V_H$  decreases by  $2V_{BE}$  ( $Q_{N6}$  and  $Q_{P6}$ ) to set up the base voltage on  $Q_{P5}$ .  $Q_{P5}$  begins to conduct whenever the high impedance node reaches a voltage equal to  $Q_{P5}$ 's base +  $2V_{BE}$  ( $Q_{P5}$  and  $Q_{N5}$ ). Thus,  $Q_{P5}$  clamps node  $Z$  whenever  $Z$  reaches  $V_H$ .  $R_1$  provides a pull-up network to ensure functionality with

the clamp inputs floating. A similar description applies to the symmetrical low clamp circuitry controlled by  $V_L$ .

When the output is clamped, the negative input continues to source a slewing current ( $I_{CLAMP}$ ) in an attempt to force the output to the quiescent voltage defined by the input.  $Q_{P5}$  must sink this current while clamping, because the  $-IN$  current is always mirrored onto the high impedance node. The clamping current is calculated as  $(V_{IN} - V_{OUT})/R_F$ . As an example, a unity gain circuit with  $V_{IN} = 2V$ ,  $V_H = 1V$ , and  $R_F = 510\Omega$  would have  $I_{CLAMP} = (2-1)/510\Omega = 1.96mA$ . Note that  $I_{CC}$  will increase by  $I_{CLAMP}$  when the output is clamp limited.

### Clamp Accuracy

The clamped output voltage will not be exactly equal to the voltage applied to  $V_H$  or  $V_L$ . Offset errors, mostly due to  $V_{BE}$  mismatches, necessitate a clamp accuracy parameter which is found in the device specifications. Clamp accuracy is a function of the clamping conditions. Referring again to Figure 1, it can be seen that one component of clamp accuracy is the  $V_{BE}$  mismatch between the  $Q_{X6}$  transistors, and the  $Q_{X5}$  transistors. If the transistors always ran at the same current level there would be no  $V_{BE}$  mismatch, and no contribution to the inaccuracy. The  $Q_{X6}$  transistors are biased at a constant current, but as described earlier, the current through  $Q_{X5}$  is equivalent to  $I_{CLAMP}$ .  $V_{BE}$  increases as  $I_{CLAMP}$  increases, causing the clamped output voltage to increase as well.  $I_{CLAMP}$  is a function of the overdrive level  $(V_{IN} - V_{OUTCLAMPED})$  and  $R_F$ , so clamp accuracy degrades as the overdrive increases, or as  $R_F$  decreases. As an example, the specified accuracy of  $\pm 60mV$  for a 2X overdrive with  $R_F = 510\Omega$  degrades to  $\pm 220mV$  for  $R_F = 240\Omega$  at the same overdrive, or to  $\pm 250mV$  for a 3X overdrive with  $R_F = 510\Omega$ .

Consideration must also be given to the fact that the clamp voltages have an effect on amplifier linearity. The "Nonlinearity Near Clamp Voltage" curve in the data sheet illustrates the impact of several clamp levels on linearity.

### Clamp Range

Unlike some competitor devices, both  $V_H$  and  $V_L$  have usable ranges that cross 0V. While  $V_H$  must be more positive than  $V_L$ , both may be positive or negative, within the range restrictions indicated in the specifications. For example, the HS-1135RH could be limited to ECL output levels by setting  $V_H = -0.8V$  and  $V_L = -1.8V$ .  $V_H$  and  $V_L$  may be connected to the same voltage (GND for instance) but the result won't be in a DC output voltage from an AC input signal. A 150 - 200mV AC signal will still be present at the output.

### Recovery from Overdrive

The output voltage remains at the clamp level as long as the overdrive condition remains. When the input voltage drops below the overdrive level ( $V_{CLAMP}/A_{VCL}$ ) the amplifier will return to linear operation. A time delay, known as the Overdrive Recovery Time, is required for this resumption of linear operation. The plots of "Unclamped Performance" and "Clamped Performance" highlight the HS-1135RH's

subnanosecond recovery time. The difference between the unclamped and clamped propagation delays is the overdrive recovery time. The appropriate propagation delays are 4.0ns for the unclamped pulse, and 4.8ns for the clamped (2X overdrive) pulse yielding an overdrive recovery time of 800ps. The measurement uses the 90% point of the output transition to ensure that linear operation has resumed. Note: The propagation delay illustrated is dominated by the fixturing. The delta shown is accurate, but the true HS-1135RH propagation delay is 500ps.

**Use of Die in Hybrid Applications**

This amplifier is designed with compensation to negate the package parasitics that typically lead to instabilities. As a result, the use of die in hybrid applications results in overcompensated performance due to lower parasitic capacitances. Reducing  $R_F$  below the recommended values for packaged units will solve the problem. For  $A_V = +2$  the recommended starting point is 300Ω, while unity gain applications should try 400Ω.

**PC Board Layout**

The frequency performance of this amplifier depends a great deal on the amount of care taken in designing the PC board. **The use of low inductance components such as chip resistors and chip capacitors is strongly recommended, while a solid ground plane is a must!**

Attention should be given to decoupling the power supplies. A large value (10μF) tantalum in parallel with a small value chip (0.1μF) capacitor works well in most cases.

Terminated microstrip signal lines are recommended at the input and output of the device. Output capacitance, such as that resulting from an improperly terminated transmission line will degrade the frequency response of the amplifier and may cause oscillations. In most cases, the oscillation can be avoided by placing a resistor in series with the output.

Care must also be taken to minimize the capacitance to ground seen by the amplifier's inverting input. The larger this capacitance, the worse the gain peaking, resulting in pulse overshoot and possible instability. To this end, it is recommended that the ground plane be removed under traces connected to pin 2, and connections to pin 2 should be kept as short as possible.

An example of a good high frequency layout is the Evaluation Board shown in Figure 2.

**Evaluation Board**

An evaluation board is available for the HS-1135RH, (HFA11XXEVAL). Please contact your local sales office for information.

The layout and schematic of the board are shown here:

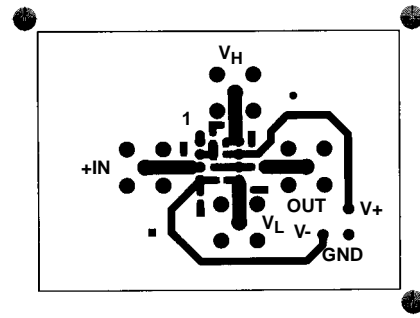


FIGURE 2A. TOP LAYOUT

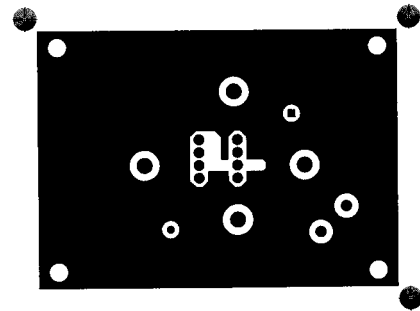


FIGURE 2B. BOTTOM LAYOUT

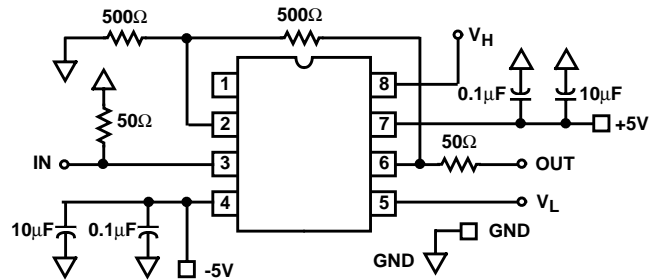
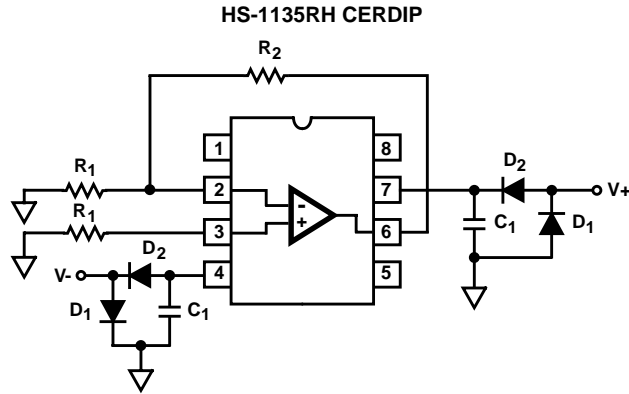


FIGURE 2C. SCHEMATIC

FIGURE 2. EVALUATION BOARD SCHEMATIC AND LAYOUT

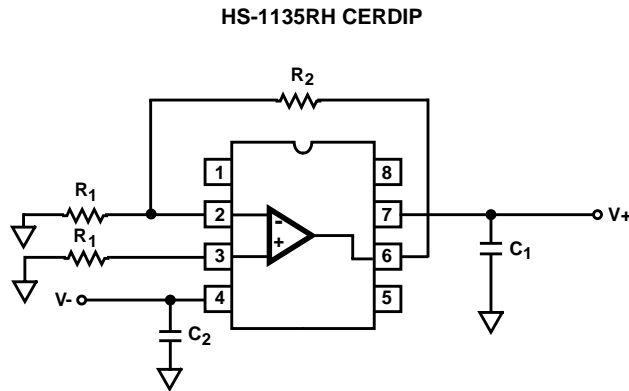
**Burn-In Circuit**



NOTES:

1.  $R_1 = 1k\Omega, \pm 5\%$  (Per Socket)
2.  $R_2 = 10k\Omega, \pm 5\%$  (Per Socket)
3.  $C_1 = 0.01\mu F$  (Per Socket) or  $0.1\mu F$  (Per Row) Minimum
4.  $D_1 = 1N4002$  or Equivalent (Per Board)
5.  $D_2 = 1N4002$  or Equivalent (Per Socket)
6.  $V+ = +5.5V \pm 0.5V$
7.  $V- = -5.5V \pm 0.5V$

**Irradiation Circuit**



NOTES:

8.  $R_1 = 1k\Omega, \pm 5\%$
9.  $R_2 = 10k\Omega, \pm 5\%$
10.  $C_1 = C_2 = 0.01\mu F$
11.  $V+ = +5.0V \pm 0.5V$
12.  $V- = -5.0V \pm 0.5V$

**Die Characteristics**

**DIE DIMENSIONS:**

59 mils x 58.2 mils x 19 mils ±1 mil  
 1500µm x 1480µm x 483µm ±25.4µm

**INTERFACE MATERIALS:**

**Glassivation:**

Type: Nitride  
 Thickness: 4kÅ ±0.5kÅ

**Top Metallization:**

Type: Metal 1: AlCu(2%)/TiW  
 Thickness: Metal 1: 8kÅ ±0.4kÅ  
 Type: Metal 2: AlCu(2%)  
 Thickness: Metal 2: 16kÅ ±0.8kÅ

**Substrate:**

UHF-1, Bonded Wafer, DI

**ASSEMBLY RELATED INFORMATION:**

**Substrate Potential:**

Floating

**ADDITIONAL INFORMATION:**

**Worst Case Current Density:**

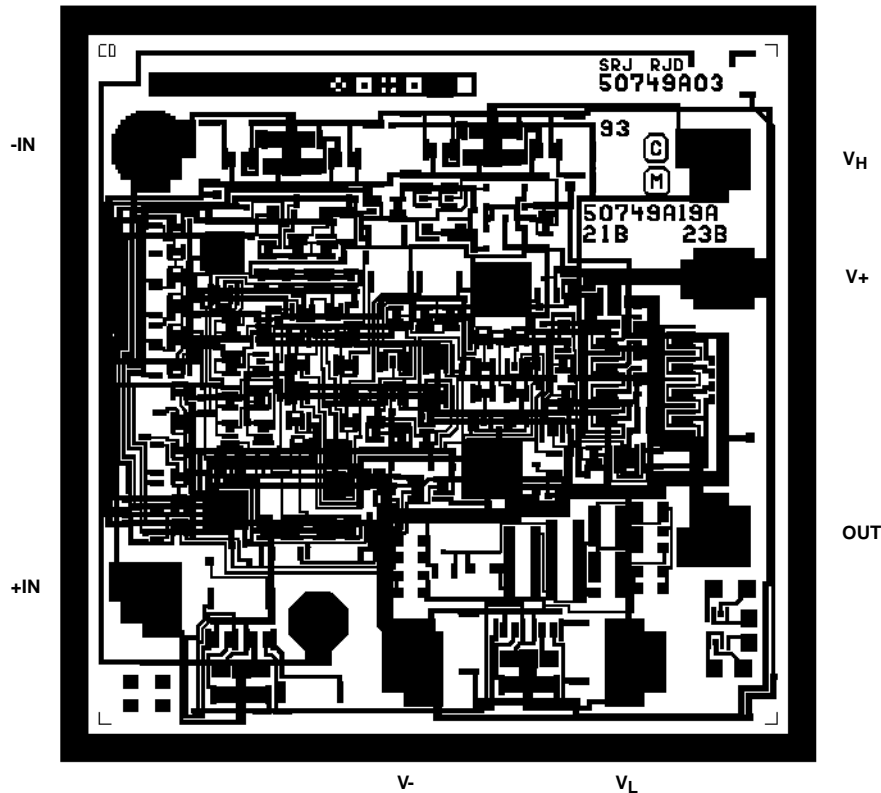
< 2 x 10<sup>5</sup>A/cm<sup>2</sup>

**Transistor Count:**

89

**Metallization Mask Layout**

HS-1135RH



All Intersil semiconductor products are manufactured, assembled and tested under **ISO9000** quality systems certification.

*Intersil semiconductor products are sold by description only. Intersil Corporation reserves the right to make changes in circuit design and/or specifications at any time without notice. Accordingly, the reader is cautioned to verify that data sheets are current before placing orders. Information furnished by Intersil is believed to be accurate and reliable. However, no responsibility is assumed by Intersil or its subsidiaries for its use; nor for any infringements of patents or other rights of third parties which may result from its use. No license is granted by implication or otherwise under any patent or patent rights of Intersil or its subsidiaries.*

For information regarding Intersil Corporation and its products, see web site [www.intersil.com](http://www.intersil.com)

**Sales Office Headquarters**

**NORTH AMERICA**

Intersil Corporation  
 P. O. Box 883, Mail Stop 53-204  
 Melbourne, FL 32902  
 TEL: (321) 724-7000  
 FAX: (321) 724-7240

**EUROPE**

Intersil SA  
 Mercure Center  
 100, Rue de la Fusee  
 1130 Brussels, Belgium  
 TEL: (32) 2.724.2111  
 FAX: (32) 2.724.22.05

**ASIA**

Intersil (Taiwan) Ltd.  
 7F-6, No. 101 Fu Hsing North Road  
 Taipei, Taiwan  
 Republic of China  
 TEL: (886) 2 2716 9310  
 FAX: (886) 2 2715 3029